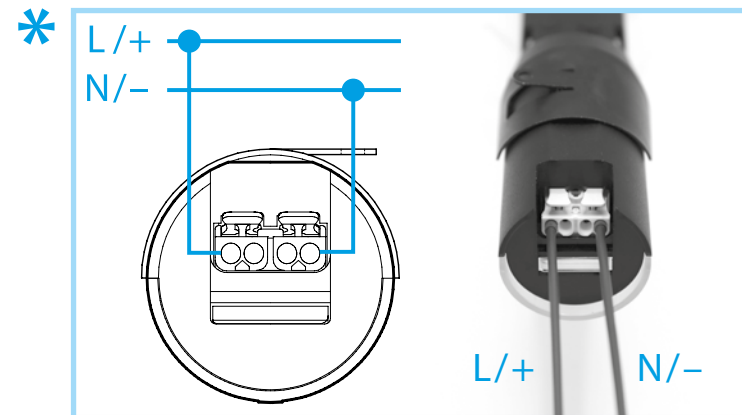


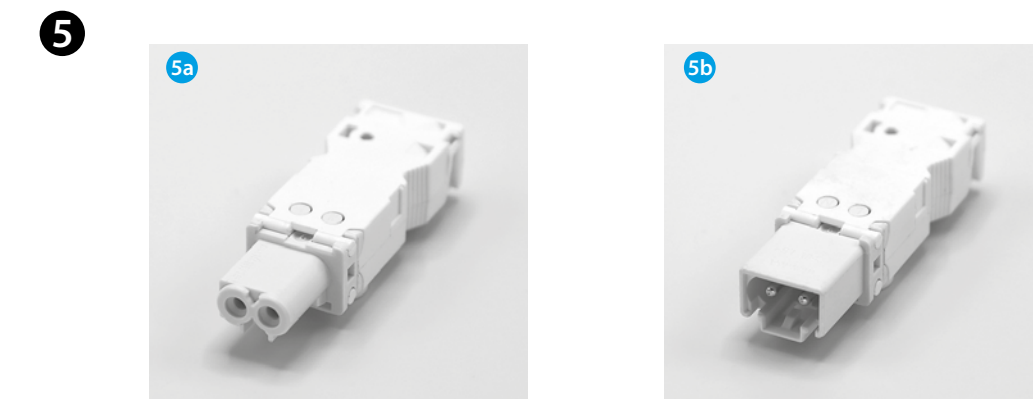
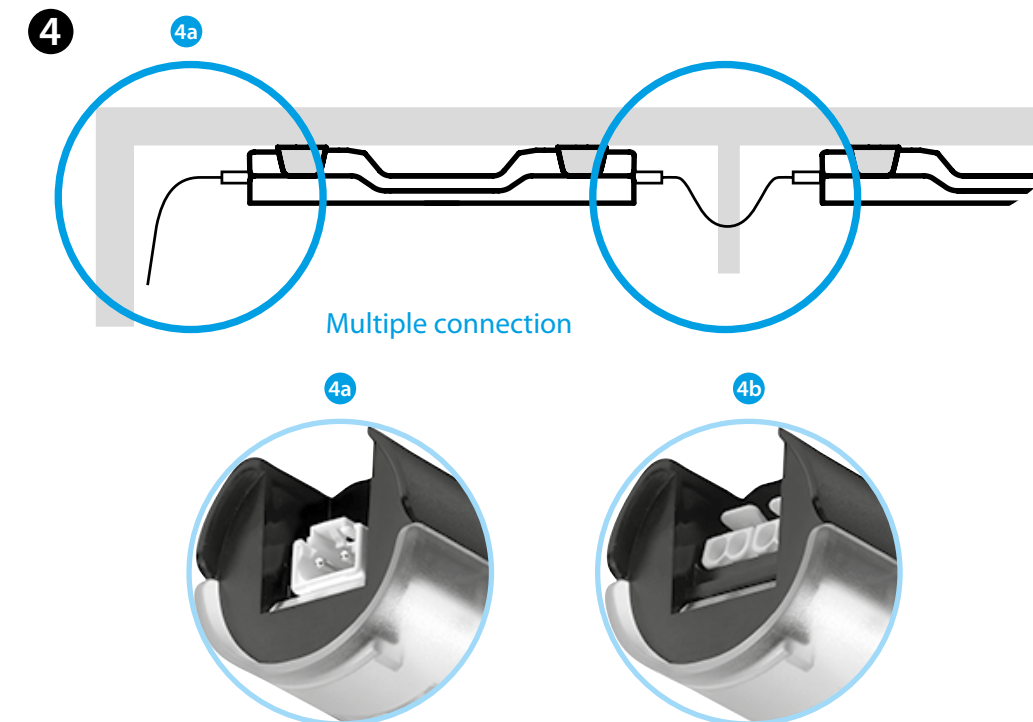
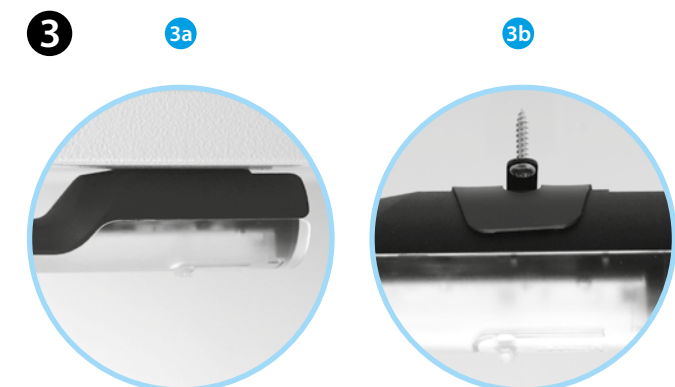
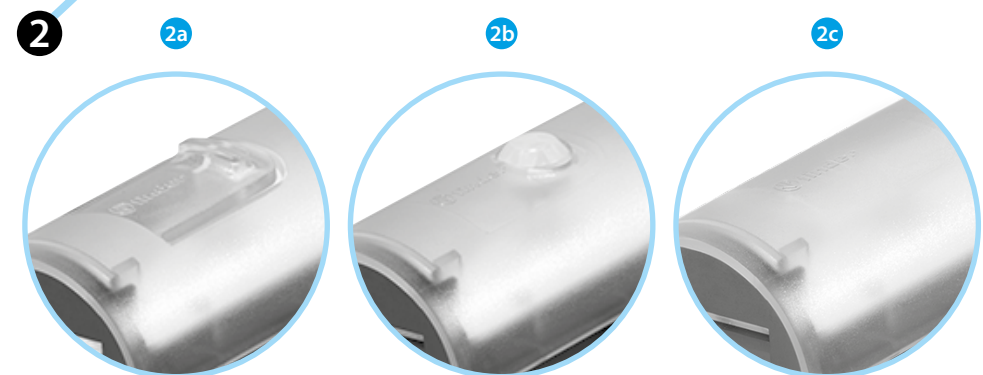
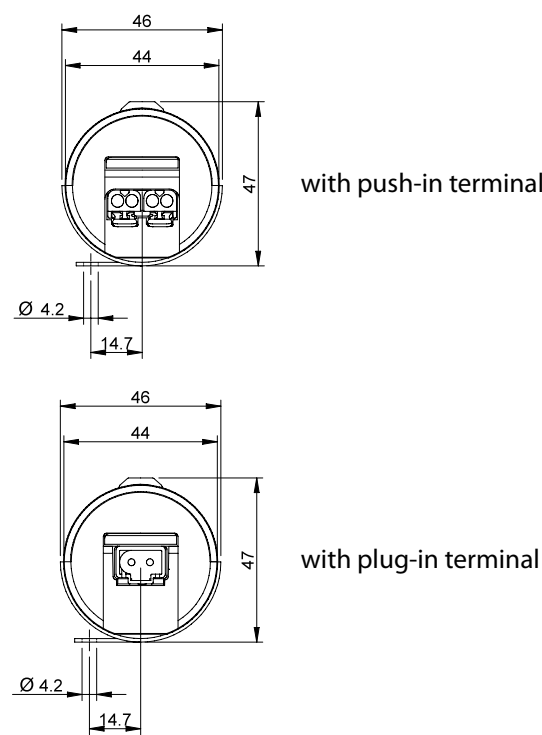
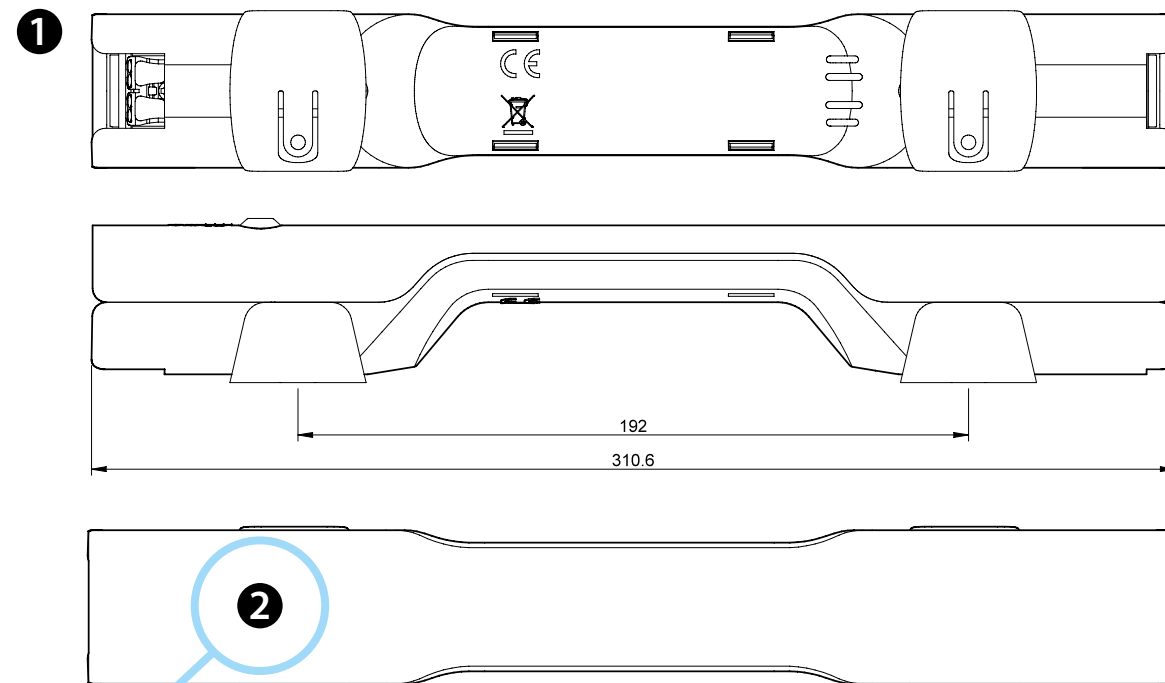


7L.4X

	7L.43.0.xxx.xx00 7L.46.0.xxx.xx00 U _N 12...48 V AC/DC U _N 110...240 V AC/DC	
	7L.43	7L.46
Lumen	600	1200
Watt	6	9
Light colour	5000 K	
	-30...+55°C	
	IP20	



For Canadian market, in the end-use the devices shall be connected to a Surge-Protective device, Type 1 or 2 or 3, rated minimum 240 V and with a maximum Voltage Protection Rating (VPR) of 2500 Vpk for 7L.4x.0.230.xxxx, rated minimum 50 V and with a VPR 800 Vpk for 7L.4x.0.024.xxxx



ENGLISH

7L LED PANEL LIGHTS
7L.43 (600 lumen)
7L.46 (1200 lumen)

- 1 DIMENSIONS**
- 2 VERSIONS**
 - 2a With ON/OFF button
 - 2b With PIR movement detector
 - 2c Without ON/OFF button and PIR movement detector
- 3 MOUNTING**
 - 3a Direct magnetic mounting to a steel surface
 - 3b Or, use the screw-in support for mounting to other materials
- 4 WIRING**
 - 4a Plug-in connectors for wiring multiple lamps (or a single lamp)
 - 4b Push-in terminal pair for wiring to a single lamp
- 5 ACCESSORIES**
 - 5a Female connector 07L.11
 - 5b Male connector 07L.12

- NOTES**
- life time: 60000 h
 - 7L...0100 Without ON/OFF button and PIR movement detector, push-in terminals
 - 7L...0200 Without ON/OFF button and PIR movement detector, plug-in connectors
 - 7L...1100 With ON/OFF button and push-in terminals
 - 7L...1200 With ON/OFF button and plug-in connectors
 - 7L...2100 With PIR movement detector and push-in terminals (T= 3 min)
 - 7L...2200 With PIR movement detector and plug-in connectors (T= 3 min)

* Prescribed connections