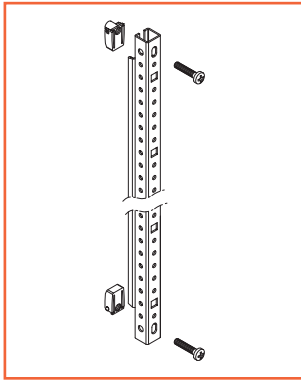


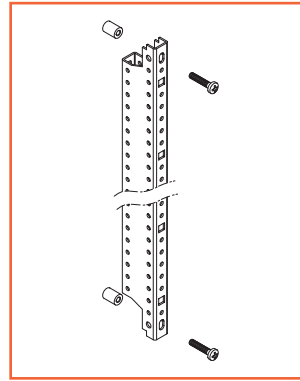
ESPRO distribution system

Support frame



MNT profiles, depth 25mm

Suitable for devices up to **400 A**.
Can be used in all system enclosures
Grid unit = 150 mm
incl. mounting material



MST profiles, depth 40 mm


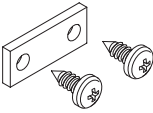
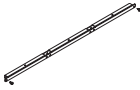
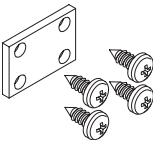

Suitable for devices up to **1600 A**.
Can be used in all wall and floor-mounted enclosures of the N.. and R.. series
Grid unit = 150 mm
incl. mounting material

GU	Length (mm)	PU	Article no.
1	150	2	MNT01N2
		20	MNT01N20
2	300	2	MNT02N2
		20	MNT02N20
3	460	2	MNT03N2
		20	MNT03N20
4	600	2	MNT04N2
		20	MNT04N20
5	750	2	MNT05N2
		20	MNT05N20
6	900	2	MNT06N2
		20	MNT06N20
7	1050	2	MNT07N2
		20	MNT07N20
8	1200	2	MNT08N2
		20	MNT08N20
9	1350	2	MNT09N2
		20	MNT09N20
10	1500	2	MNT10N2
		20	MNT10N20
11	1650	2	MNT11N2
		20	MNT11N20
12	1800	2	MNT12N2
		20	MNT12N20

GU	Length (mm)	PU	Article no.
6	900	2	MST06N2
		10	MST06N10
7	1050	2	MST07N2
		10	MST07N10
8	1200	2	MST08N2
		10	MST08N10
9	1350	2	MST09N2
		10	MST09N10
10	1500	2	MST10N2
		10	MST10N10
11	1650	2	MST11N2
		10	MST11N10
12	1800	2	MST12N2
		10	MST12N10
14	2100	2	MST14N2
		10	MST14N10

ESPRO distribution system

Accessories for support frame

Design	Article no.	Design	Article no.
 <p>Panel distribution rail Panel width 2 for NT/ST profiles 1 pc. 10 pcs.</p>	<p>FVW26N FVW26N</p>	 <p>Panel connector, single for support profiles 4 pcs. 20 pcs.</p>	<p>PFV20N PFV20N20</p>
 <p>Panel distribution rail Panel width 3 for NT/ST profiles 1 pc. 10 pcs.</p>	<p>FVW36N FVW36N10</p>	 <p>Field connector, double for support profiles 4 pcs. 20 pcs.</p>	<p>PFV40N PFV40N20</p>
 <p>Crossbar horizontal Panel width 2 with MNT hole pattern 2 pcs. 20 pcs.</p>	<p>MNT226N2 MNT226N20</p>		