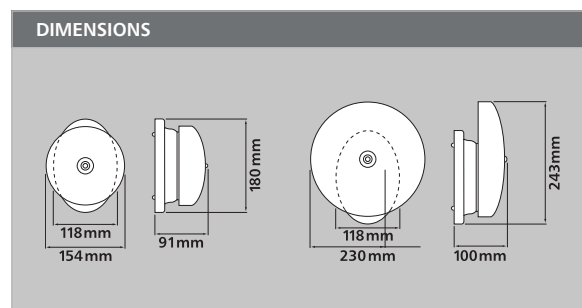


Security Bells

- Designed for long-life and total reliability
- Solenoid operated
- Compatible with all leading intruder alarm control panels
- Suitable for use in fire alarm systems and general industrial/commercial signalling applications
- Masterbell available in red and grey in a wide choice of voltages
- Wall bracket included



			COLOUR	VOLTAGE	MAX POWER VA/W	SOUND LEVEL dB@1m max*	SOUND FREQUENCY Hz	UNIT BARCODES
MASTERBELLS								
56-012	Masterbell	12V AC	Grey	12V~	9VA	100	300 to 12kHz	5004100810694
56-024	Masterbell	24V AC	Grey	24V~	10 VA	100	300 to 12kHz	5004100810700
56-230	Masterbell	230V AC 50Hz/60Hz	Grey	220/240V~	10 VA	100	300 to 12kHz	5004100810724
56-230R	Masterbell	230V AC 50Hz/60Hz	Red	220/240V~	10 VA	100	300 to 12kHz	5004100810779
66-06SP	Masterbell	6V DC	Grey	6(12)V =	4 W	91-94	300 to 12kHz	5004100810885
66-12SP	Masterbell	12V DC	Grey	12(24)V =	4 W	91-94	300 to 12kHz	5004100811301
66-24SP	Masterbell	24V DC	Grey	24(42)V =	4 W	91-94	300 to 12kHz	5004100810847
6624SPR	Masterbell	24V DC	Red	24(42)V =	4 W	91-94	300 to 12kHz	5004100810892
BIG BELL								
59-230	Bigbell	230V AC 50Hz/60Hz	Grey	220/240V~	10 VA	106	300 to 10kHz	5004100810939
CONDUIT BOX (168 x 102 x 48mm)								
56-66	Conduit Box		Grey					5004100890207

*Sound levels measured in 'Free Field' conditions

Security Bells are IP42, but when used with the addition of conduit box, the IP rating increases to IP44