

Bolt anchor FBN II

The cost-efficient fixing for flexible use in non-cracked concrete



Column bases



Stormwater overflow tank manholes

4

Applications

- Steel constructions
- Guard rails
- Consoles
- Ladders
- Cable trays
- Machines
- Staircases
- Gates
- Façades

Advantages

- The standard anchorage depth achieves the maximum load-bearing capacities.
- The reduced anchorage depth reduces the drill hole depth. This minimises the amount of time needed for installation whilst increasing flexibility.
- Additional short version "K" with short anchoring depth.
- The long thread balances component tolerances and allows for stand-off installations, thus increasing flexibility.
- Few hammer blows and the minimal torque slippage allow for a noticeably

simpler installation.

- The drive-in pin protects the thread from damage, and thus ensures a faster installation and dismantling of the attachment.
- The larger washer included with the FBN II GS creates a larger supporting surface and, as such, allows for the fixing of wood constructions.
- When using hollow drills with suction is no drill hole cleaning required.
- New ETA assessment for hot-dip galvanised version for variable working life in outdoor areas.

Certificates



ETA-07/0211, for non-cracked concrete
ETA-18/0101, for non-cracked concrete and variable working life for outdoor areas



INOX STAINLESS STEEL

Building materials

Approved for:

- Concrete C20/25 to C50/60, non-cracked

Also suitable for:

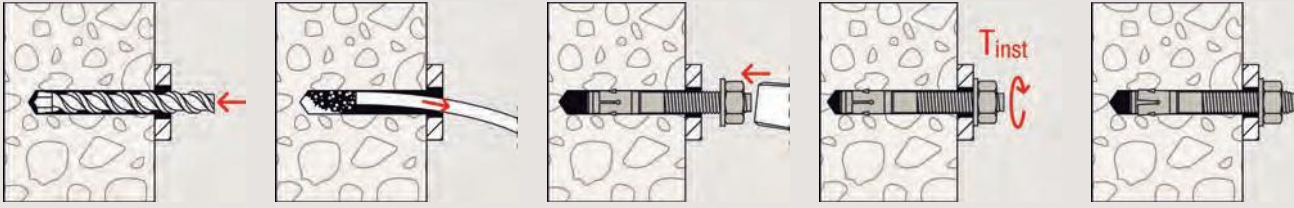
- Concrete C12/15
- Natural stone with dense structure

Functioning

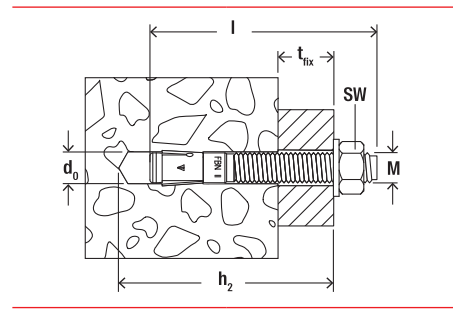
- The FBN II is suitable for pre-positioned and push-through installation; also suitable for stand-off installation under certain conditions.
- Prior to installation, place the hexagon nut in the optimal position (the drive-in pin projects by approx. 3 mm out of the hexagon nut).

Versions

Installation FBN II



4



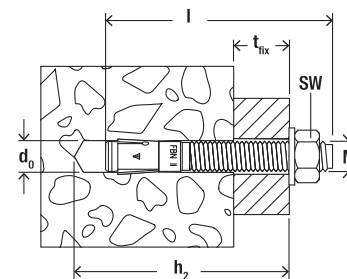
Technical data

Bolt anchor FBN II



FBN II

Item	Zinc-plated steel	Stainless steel	Hot-dip galvanised steel	Approval	Drill hole diameter	Min. drill hole depth for through fixings	Anchor length	Max. usable length hef,max./ hef,min.	Thread	Width across nut	Sales unit
	Item No.	Item No.	Item No.		d_0 [mm]	h_2 [mm]	l [mm]	t_{fix} [mm]	$\emptyset \times$ length [mm]	SW [mm]	[pcs]
FBN II 6/5	505526 ¹⁾²⁾	—	—	●	6	45	50	5/-	M 6 x 12	10	100
FBN II 6/10	505527 ¹⁾²⁾	505532 ¹⁾²⁾	—	●	6	50	55	10/-	M 6 x 17	10	100
FBN II 6/30	505528 ¹⁾²⁾	505535 ¹⁾²⁾	—	●	6	70	75	30/-	M 6 x 35	10	100
FBN II 8/5	040662	—	—	●	8	61	65	5/15	M 8 x 34	13	50
FBN II 8/10	040664	507555	—	●	8	66	70	10/20	M 8 x 39	13	50
FBN II 8/10	—	—	507575	●	8	66	71	10/20	M 8 x 39	13	50
FBN II 8/20	040669	—	—	●	8	76	80	20/30	M 8 x 49	13	50
FBN II 8/30	040700	507556	—	●	8	86	90	30/40	M 8 x 59	13	50
FBN II 8/30	—	—	507576	●	8	86	91	30/40	M 8 x 59	13	50
FBN II 8/50	040771	507557	—	●	8	106	110	50/60	M 8 x 79	13	50
FBN II 8/50	—	—	507577	●	8	106	111	50/60	M 8 x 79	13	50



Technical data

Bolt anchor FBN II



FBN II

Item	Zinc-plated steel	Stainless steel	Hot-dip galvanised steel	Approval	Drill hole diameter	Min. drill hole depth for through fixings	Anchor length	Max. usable length hef,max./ hef,min.	Thread	Width across nut	Sales unit
	Item No.	Item No.	Item No.	ETA	d ₀ [mm]	h ₂ [mm]	l [mm]	t _{fix} [mm]	Ø x length [mm]	SW [mm]	[pcs]
FBN II 10/160	040945	—	—	●	10	228	235	160/170	M 10 x 196	17	20
FBN II 12/10	040950	507563	—	●	12	95	104	10/25	M 12 x 59	19	20
FBN II 12/10	—	—	507589	●	12	95	106	10/25	M 12 x 59	19	20
FBN II 12/20	044558	507564	—	●	12	105	114	20/35	M 12 x 69	19	20
FBN II 12/30	045263	507565	—	●	12	115	124	30/45	M 12 x 79	19	20
FBN II 12/30	—	—	507591	●	12	115	126	30/45	M 12 x 79	19	20
FBN II 12/50	045264	507566	—	●	12	135	144	50/65	M 12 x 99	19	20
FBN II 12/50	—	—	507592	●	12	135	146	50/65	M 12 x 99	19	20
FBN II 12/80	045265	—	—	●	12	165	174	80/95	M 12 x 129	19	20
FBN II 12/100	045266	507567	—	●	12	185	194	100/115	M 12 x 149	19	20
FBN II 12/100	—	—	507596	●	12	185	196	100/115	M 12 x 149	19	20
FBN II 12/120	045267	—	—	●	12	205	214	120/135	M 12 x 169	19	20
FBN II 12/140	045268	—	—	●	12	225	234	140/155	M 12 x 189	19	20
FBN II 12/160	045269	—	—	●	12	245	254	160/175	M 12 x 189	19	20
FBN II 16/10	—	507568	—	●	16	114	128	10/25	M 16 x 74	24	10
FBN II 16/25	—	—	507598	●	16	129	145	25/40	M 16 x 89	24	10
FBN II 16/25	045564	507569	—	●	16	129	143	25/40	M 16 x 89	24	10
FBN II 16/50	—	—	507553	●	16	154	170	50/65	M 16 x 105	24	10
FBN II 16/50	045565	507570	—	●	16	154	168	50/65	M 16 x 105	24	10
FBN II 16/80	045566	—	—	●	16	184	198	80/95	M 16 x 144	24	10
FBN II 16/100	045567	—	—	●	16	204	218	100/115	M 16 x 164	24	10
FBN II 16/100	—	—	507554	●	16	204	220	100/115	M 16 x 164	24	10
FBN II 16/140	045568	—	—	●	16	244	258	140/155	M 16 x 184	24	10
FBN II 16/160	045569	—	—	●	16	264	278	160/175	M 16 x 184	24	10