

(en) Electric current! Danger to life!
Only skilled or instructed persons may carry out the following operations.

(de) Lebensgefahr durch elektrischen Strom!

Nur Elektrofachkräfte und elektrotechnisch unterwiesene Personen dürfen die im Folgenden beschriebenen Arbeiten ausführen.

(fr) Tension électrique dangereuse !

Seules les personnes qualifiées et averties doivent exécuter les travaux ci-après.

(es) ¡Corriente eléctrica! ¡Peligro de muerte!

El trabajo a continuación descrito debe ser realizado por personas cualificadas y advertidas.

(it) Tensione elettrica: Pericolo di morte!

Solo persone abilitate e qualificate possono eseguire le operazioni di seguito riportate.

(zh) 触电危险!

只允许专业人员和受过专业训练的人员进行下列工作。

(ru) Электрический ток! Опасно для жизни!

Только специалисты или проработанные лица могут выполнять следующие операции.

(nl) Levensgevaar door elektrische stroom!

Uitsluitend deskundigen in elektriciteit en elektrotechnisch geïnstrueerde personen is het toegestaan, de navolgend beschreven werkzaamheden uit te voeren.

(da) Livsfare på grund af elektrisk strøm!

Kun uddannede el-installatører og personer der er instruerede i elektrotekniske arbejdsopgaver, må udføre de nedenfor anførte arbejder.

(el) Προσοχή, κίνδυνος ηλεκτροπληξίας!

Οι εργασίες που αναφέρονται στη συνέχεια θα πρέπει να εκτελούνται μόνο από ηλεκτρολόγους και ηλεκτροτεχνίτες.

(pt) Perigo de vida devido a corrente eléctrica!
Apenas electricistas e pessoas com formação electotécnica podem executar os trabalhos que a seguir se descrevem.

(sv) Livsfara genom elektrisk ström!

Endast utbildade elektriker och personer som undervisats i elektroteknik får utföra de arbeten som beskrivs nedan.

(fi) Hengenvaarallinen jännite!

Vain pätevät sähköasentajat ja opastusta saaneet henkilöt saavat suorittaa seuraavat työt.

(cs) Nebezpečí úrazu elektrickým proudem!

Níže uvedené práce smějí provádět pouze osoby s elektrotechnickým vzděláním.

(et) Eluohhtik! Elektrilöögiht!

Järgnevalt kirjeldatud töid tohib teostada ainult elektriala spetsialist või elektrotehnilise instrueerimise läbinud personal.

(hu) Életveszély az elektromos áram révén!

Csak elektromos szakemberek és elektrotechnikában képzett személyek végezhetik el a következőkben leírt munkákat.

(lv) Elektriskā strāva apdraud dzīvību!

Tālāk aprakstītos darbus drīkst veikt tikai elektrospeciālisti un darbam ar elektrotehnikām iekārtām instruetās personas!

(lt) Pavojus gyvybei dėl elektros srovės!

Tik elektrikai ir elektrotechnikos specialistai gali atlikti žemiau aprašytus darbus.

(pl) Porażenie prądem elektrycznym stanowi zagrożenie dla życia!

Opisane poniżej prace mogą przeprowadzać tylko wykwalifikowani elektrycy oraz osoby odpowiednio poinstruowane w zakresie elektrotechniki.

(sl) Življenjska nevarnost zaradi električnega toka!

Spodaj opisana dela smejo izvajati samo elektrostrokovnjaki in elektrotehnično poučene osebe.

(sk) Nebezpečnosť ohrozenia života elektrickým prúdom!

Práce, ktoré sú nižšie opísané, smú vykonávať iba elektroodborníci a osoby s elektrotechnickým vzdelaním.

(bg) Опасност за живота от електрически ток!

Операциите, описани в следващите раздели, могат да се извършват само от специалисти-електротехници и инструктиран електротехнически персонал.

(ro) Atenție! Pericol electric!

Toate lucrările descrie trebuie efectuate numai de personal de specialitate calificat și de persoane cu cunoștințe profunde în electrotehnică.

(hr) Opasnost po život uslijed električne struje!

Radove opisane u nastavku smiju obavljati samo stručni električari i osobe koje su prošle elektrotehničku obuku.

(tr) Elektrik akımı! Hayati tehlike!

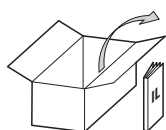
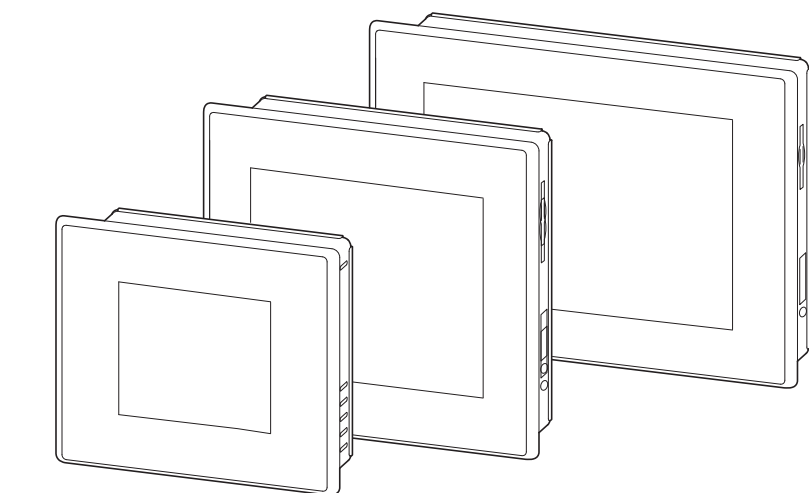
Aşağıdaki işlemleri yalnızca kalifiye veya eğitimli kişiler gerçekleştirebilir.

(uk) Електричний струм! Небезпечно для життя!

Виконувати означені далі операції дозволяється тільки кваліфікованим особам, що пройшли інструктаж.

(ar) تحذير! تيار كهربائي! خطر موت! لا تتم اعمال الصيانة و التركيب الا من قبل العاملين المدربين!

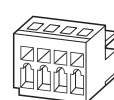
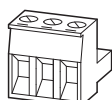
XV-102-...



1x XV-102-...



1x MSTB 2,5/3-ST-5,08
(Phoenix Contact)



only
XV-102-E...-..., XV-102-BE-...
1x WAGO 734-104



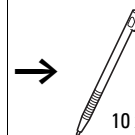
(en) Documentation must be consulted.

(de) Dokumentation muss konsultiert werden.

(fr) Documentation doivent être consultes.

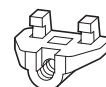


Eaton.com/documentation
MN04802004Z...
Eaton.com/xv



ACCESSORIES-RES-TOUCH-PEN-10
Part no. 139808

10x



IP65/NEMA
(indoor use only – à l'intérieur seulement)

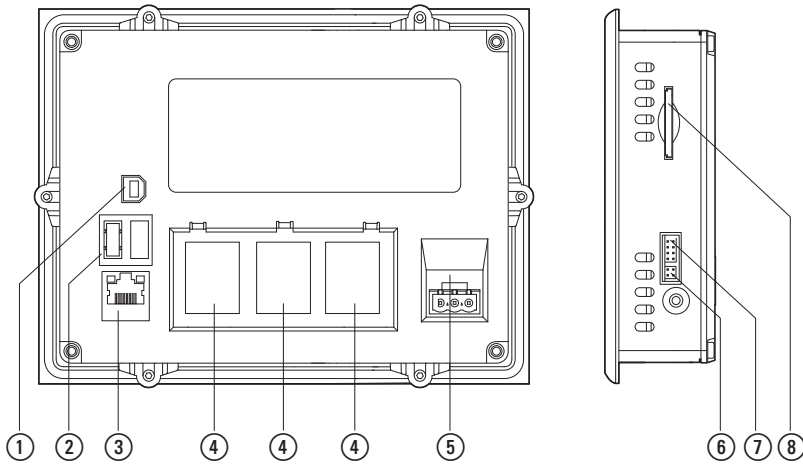


2 mm (5/64")
M4 x 25 DIN 916
M ≤ 0.1 Nm (0.86 lb-in)

3.5" 5.7" 7.0"

4x 6x 8x

Interface



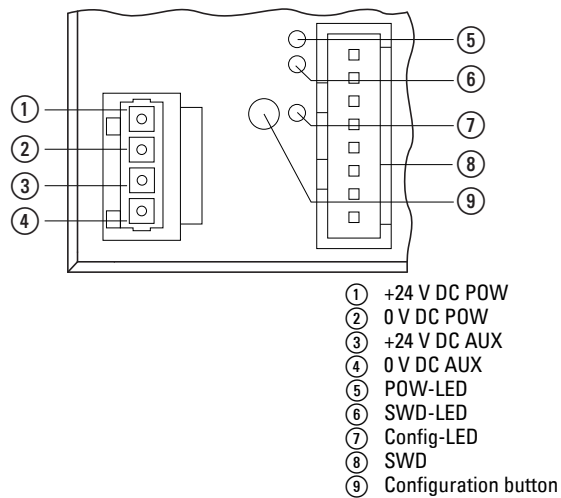
XV-102-...		
①	USB-Device	USB 2.0, Type B
②	USB-Host ¹⁾	USB 2.0, Type A
③	Ethernet	RJ45
④	a) ...f) ¹⁾	a) RS232 b) RS485 c) CAN d) Profibus e) SmartWire-DT f) -
⑤	Supply	
⑥	Jumper UPD/RUN	service only
⑦	DIAG	service only
⑧	SD-Slot	

1) if provided

RS232 (System Port), RS485, CAN, Profibus

Pin	RS232 (System Port)	RS485	CAN	Profibus
		1 2 3 4 5 6 7 8 9	5 4 3 2 1 9 8 7 6	
1	DCD	-	-	-
2	RxD	-	CAN-L	-
3	TxD	B	CAN-GND	B
4	DTR	-	-	RTSAS
5	GND	Ground	-	M5EXT
6	DSR	-	GND	P5EXT
7	RTS	A	CAN-H	-
8	CTS	-	-	A
9	RI	-	-	-

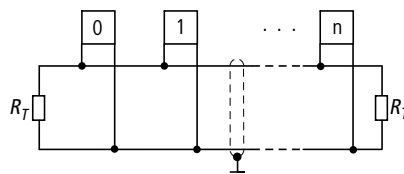
SmartWire-DT



Standard connection

GND

➔ Connect the GND terminals on all the bus modules.



ETHERNET

Network adjustments, IP address 192.168.1.1.

	CANopen	Profibus
R_T	120 Ω ISO 11898	120 Ω Profibus Specification

Support

Region North America

Eaton Corporation
Electrical Sector
1111 Superior Ave.
Cleveland, OH 44114
United States
877-ETN-CARE (877-386-2273)
Eaton.com

en Other regions

Contact your local supplier or ✉

de Andere Regionen

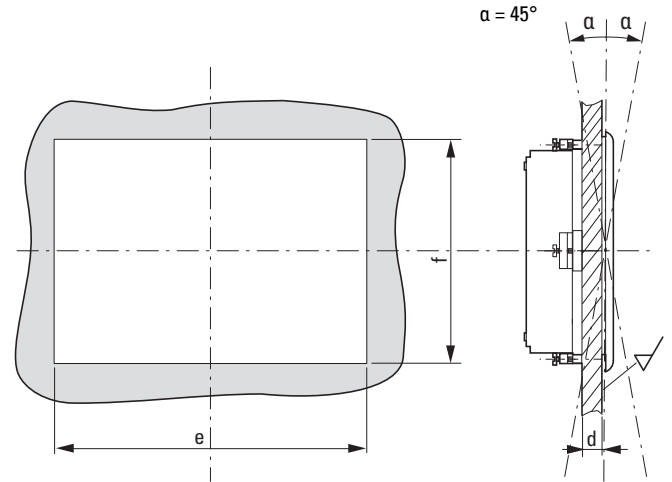
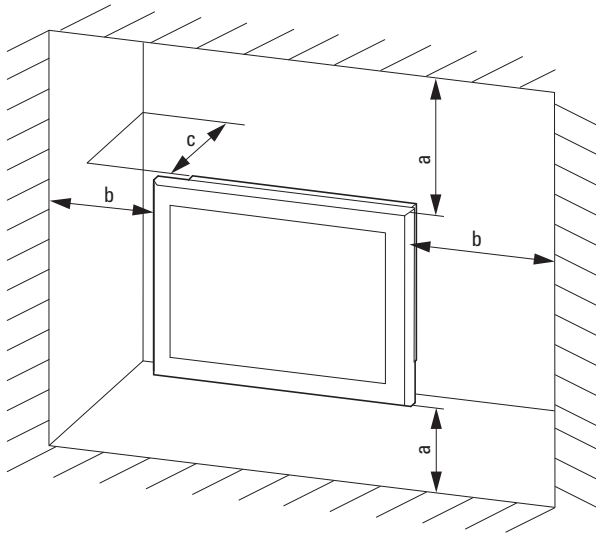
Kontaktieren Sie Ihren lokalen Lieferanten oder ✉

fr Autres régions :

contactez votre représentant local ou ✉

✉ automation@eaton.com

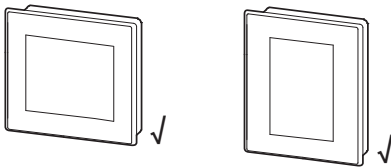
Mounting position



$\alpha = 45^\circ$
 $2 \text{ mm (0.08")} \leq d \leq 5 \text{ mm (0.2")}$

$T \leq 50^\circ\text{C (122}^\circ\text{F)}$

$a, b, c \geq 30 \text{ mm (1.18")}$

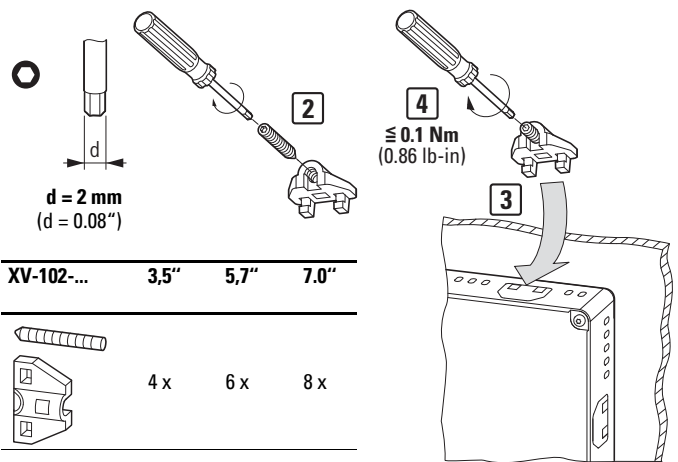
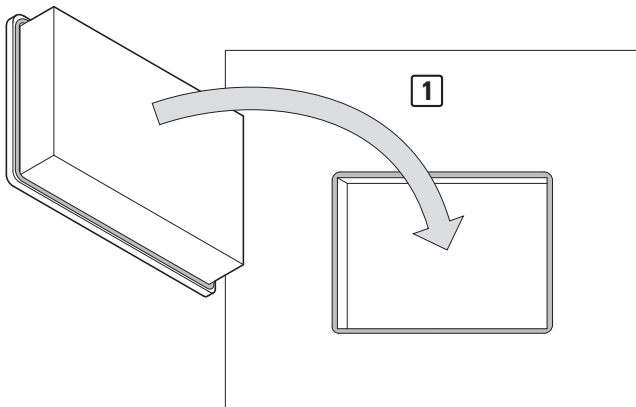


[mm (in)]

XV-102-...	3.5"	5.7"	7.0"
e	123 ±1 (4.84 ±0.04)	157 ±1 (6.18 ±0.04)	197 ±1 (7.76 ±0.04)
f	87 ±1 (3.43 ±0.04)	117 ±1 (4.61 ±0.04)	122 ±1 (4.80 ±0.04)
	≤ 0.5 (0.02)		
	Rz ≤ 120		
	IP65: → DIN ISO 2768-2 (K)		

Mounting

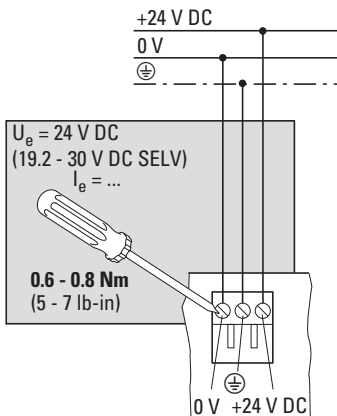
07/21 IL048007ZU



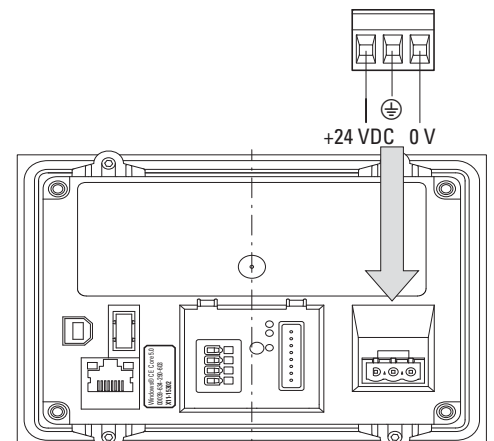
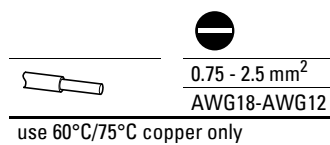
$d = 2 \text{ mm}$
 $(d = 0.08")$

XV-102-...	3.5"	5.7"	7.0"
	4 x	6 x	8 x

Power supply



XV-102-...	3.5"	5.7"	7.0"
I_e [A]	≤ 0.2	≤ 0.4	≤ 0.4

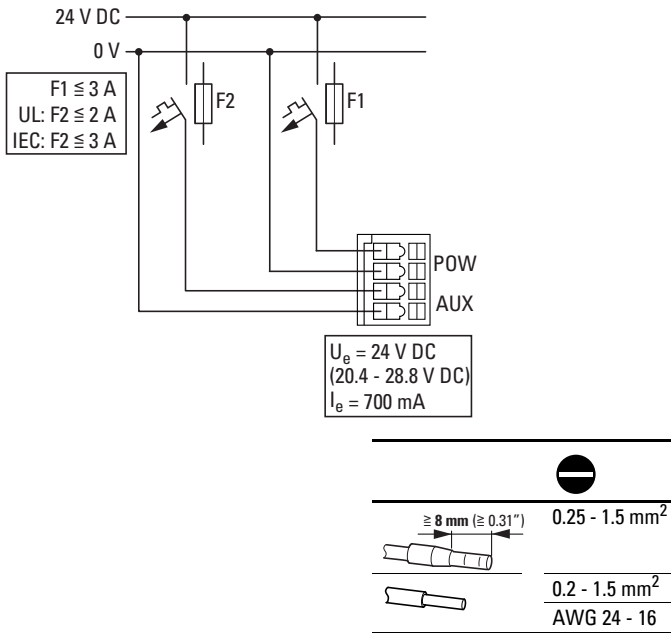


SmartWire-DT

XV-102-...E...-...,

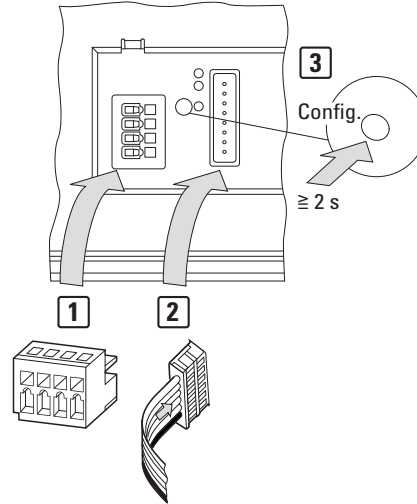
XV-102-BE-...


POW/AUX SmartWire-DT (SELV)



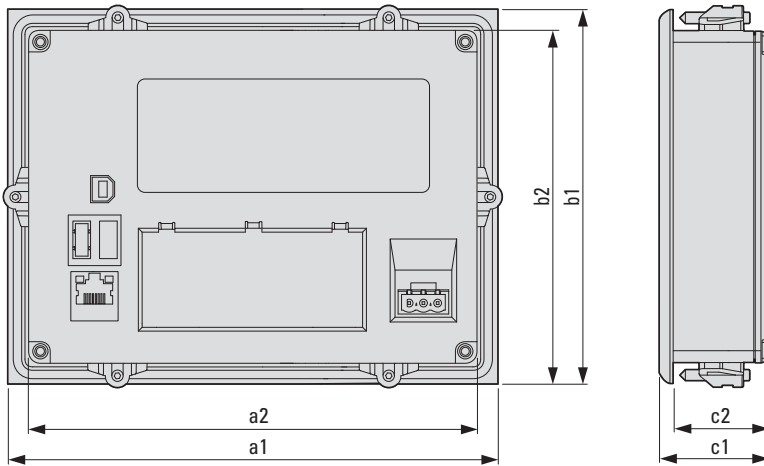
SWD-OUT POW OFF

SWD-Config POW ON




Eaton.com/documentation
MN05006001Z...
MN05006002Z...
MN120006...
Eaton.com/swd

Dimensions



[mm (in)]

XV-102-...	a1	a2	b1	b2	c1	c2
3,5"	136 (5.35)	121 (4.73)	100 (3.94)	85 (3.35)	30 (1.18)	25 (0.98)
5,7"	170 (6.69)	155.6 (6.13)	130 (5.12)	115.6 (4.55)	39 (1.54)	34 (1.34)
7.0"	210 (8.27)	195.6 (7.7)	135 (5.31)	120.6 (4.75)	38 (1.5)	33 (1.3)

07/21 IL048007ZU



Doc. No.: CE2100274

EU-Konformitätserklärung

EU declaration of conformity

Wir / We: Eaton Industries GmbH, 53105 Bonn, Germany,
Hein-Moeller-Str. 7-11, 53115 Bonn, Germany

erklären hiermit in alleiniger Verantwortung als Hersteller, dass das Produkt (die Produktfamilie)
declare under our sole responsibility as manufacturer that the product (family)

HMI-PLC XV-100
HMI-PLC XV-100

entsprechend der Auflistung auf Seite 2 und vorausgesetzt, dass es unter Berücksichtigung der Herstellerangaben, relevanten Einbauanweisungen und "anerkannten Regeln der Technik" installiert, gewartet und in den dafür vorgesehenen Anwendungen verwendet wird,
according to the list on page 2 and provided that it is installed, maintained and used in the application intended for, with respect to the relevant manufacturer's instructions, installation standards and "good engineering practices",


den einschlägigen Bestimmungen der Richtlinie(n) des Rates entspricht:
complies with the provisions of Council directive(s):

2014/30/EU *EMV-Richtlinie / EMC Directive*
2011/65/EU *RoHS-Richtlinie / RoHS Directive*
2014/34/EU *ATEX-Richtlinie / ATEX Directive*

und mit den folgenden Normen übereinstimmt:
based on compliance with the following standard(s):

EN 60079-31:2014
EN 61000-6-2:2005 + AC:2005
EN 61000-6-3:2007 + A1:2011 + A1/AC:2012 1)
EN 61000-6-4:2007 + A1:2011
EN IEC 60079-0:2018
EN IEC 63000:2018

1) Is not applicable for XV-112, XV-102-Fx and Devices with SmartWire-DT Interface

Kennzeichnung:  **Ex II 3D Ex tc IIIC T70°C IP6x**
Marking:

Bonn, 18.06.2021

i.A. Edgar Willems
Director Quality
Industrial Controls & Protection Division

i.A. Paolo D'Amico
Head of Product Line Management
Machine Operation & Control

EATON
Powering Business Worldwide

Seite/page 1 / 2

Doc. No.: CE2100274

Typen des Sortiments

Types within the range

Die Konformitätserklärung gilt für folgende Typen der Produktfamilie und in Kombination mit den darunter folgenden Produkten:

The declaration of conformity applies to the following types within the product family and in combination with products listed below.

XV-102
XV-112
XV-152

Bonn, 18.06.2021

i.A. Edgar Willems
Director Quality
Industrial Controls & Protection Division

i.A. Paolo D'Amico
Head of Product Line Management
Machine Operation & Control

EATON
Powering Business Worldwide

Seite/page 2 / 2

Doc. No.: UK2100143

Declaration of conformity

We, Eaton Industries GmbH, 53105 Bonn, Germany,
Hein-Moeller-Str. 7-11, 53115 Bonn, Germany

declare under our sole responsibility as manufacturer that the product (family)

HMI-PLC XV-100

according to the list on page 2 and provided that it is installed, maintained and used in the application intended for, with respect to the relevant manufacturer's instructions, installation standards and "good engineering practices", complies with the statutory requirements:

- 2016 No. 1091 The Electromagnetic Compatibility Regulations 2016
- 2012 No. 3032 RoHS in Electrical and Electronic Equipment Regulations 2012
- 2016 No. 1107 ATEX Regulations 2016

based on compliance with the following standard(s):

- EN 60079-31:2014
- EN 61000-6-2:2005 + AC:2005
- EN 61000-6-3:2007 + A1:2011 + A1/AC:2012 1)
- EN 61000-6-4:2007 + A1:2011
- EN IEC 60079-0:2018
- EN IEC 63000:2018

1) is not applicable for XV-112, XV-102-Fx and Devices with SmartWire-DT Interface

Kennzeichnung:  II 3D Ex tc IIIC T70°C IP6x

Marking:

Bonn, 14.07.2021



i.A. Edgar Willems
Director Quality
Industrial Controls & Protection Division



i.A. Paolo D'Amico
Head of Product Line Management
Machine Operation & Control



Powering Business Worldwide

Doc. No.: UK2100143

Types within the range

The declaration of conformity applies to the following types within the product family and in combination with products listed below:

- XV-102
- XV-112
- XV-152

Bonn, 14.07.2021



i.A. Edgar Willems
Director Quality
Industrial Controls & Protection Division



i.A. Paolo D'Amico
Head of Product Line Management
Machine Operation & Control



Powering Business Worldwide