



ADVANTAGES AND CHARACTERISTICS

STANDARDS



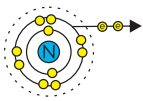
Our products are manufactured by the SMC (Sheet Moduling Compound) system, composed by a raw material formed from a resin made of Polyester Reinforced with Fiberglass (GRP).



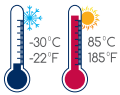
Double insulating cabinet, material class II , 1000Vac - 1500Vdc.



Excellent cabinets for outside installation and withstanding extreme climate conditions. Rain, frost, dirt... even chemical agents. They have a much higher lifespan than metallic enclosures.



Manufactured entirely without any metallic parts. WILL NOT RUST



Thermosetting materials do NOT vary in structure or get deformed with climate changes. However, plastic materials WILL get deformed.



Fire resistant at 960°, self-extinguishing material and hallogen free.



IEC-62208 Envelopement with IP66 protection degree against water and dust; non-hygroscopic materials.



High mechanical resistance IK-10 (IEC 62208)



Through IP66 connection flanges, we can achieve enclosures with superior dimensions. Better handling due to reduced weight, along with easier transportation and storage.



Colour standard RAL7035.



All components made with recyclable materials and reduced waste. Abides by the European restrictions of hazardous residue RoHS



ADVANTAGES AND CHARACTERISTICS

STANDARDS



Empty enclosures destined to low voltage switchgear and controlgear





ADVANTAGES AND CHARACTERISTICS

ANTI-BLOW SYSTEM



Designs with up to 3 or 4 points of pressure. The “wedges” at the door work with the NON-METALLIC system of hinges and press the rubber gasket at the door against the interior of the cabinet, protecting it and guaranteeing the IP66 degree



injected polyurethane
rubber gasket resistant
between -40°C + 60°C



ADVANTAGES AND CHARACTERISTICS

NON METALLIC FLEXIBLE POLYAMIDE 6.6 HINGE PINS

NON-METALLIC hinge pins that will prevent any kind of corrosion and rust

Quick, TOOLLESS insertion which allows us to place them and remove them as many times as we want and facilitates working on the door and the cabinet separately
Moreover, the hinge system will remain hidden inside of the cabinet, and its flexibility will prevent the door from breaking

Code	Description	Weight - Kg
ejb-BRES	Hinge pin (2 units)	0,01



180°

Manual installation of the hinge pins, without the need for tools.

The Safybox hinge bolts allow the door to open > 180°



ADVANTAGES AND CHARACTERISTICS

ANTI RAIN SHADE



Enclosures are designed with a Shade or Cover which protects the cabinet from getting water inside

This compact and layered cover has the following functions :

- 1.- To avoid water accumulations at the rubber gasket, which due to frost, heat and sudden temperature changes, can be affected once the water has entered.
- 2.- To avoid the water that's accumulated on the roof entering when the door is opened.
- 3.- To avoid the attaching of roofs that can get detached over time.





ADVANTAGES AND CHARACTERISTICS

MAXIMUM WATERTIGHTNESS



You'll find in each one of the sides of the cabinet 4 ducts that are independent from the interior compartment, and through which they can simply be secured against a wall without the need of fixing lugs

Other enclosures in the market will need you to DRILL and have the risk of losing watertightness

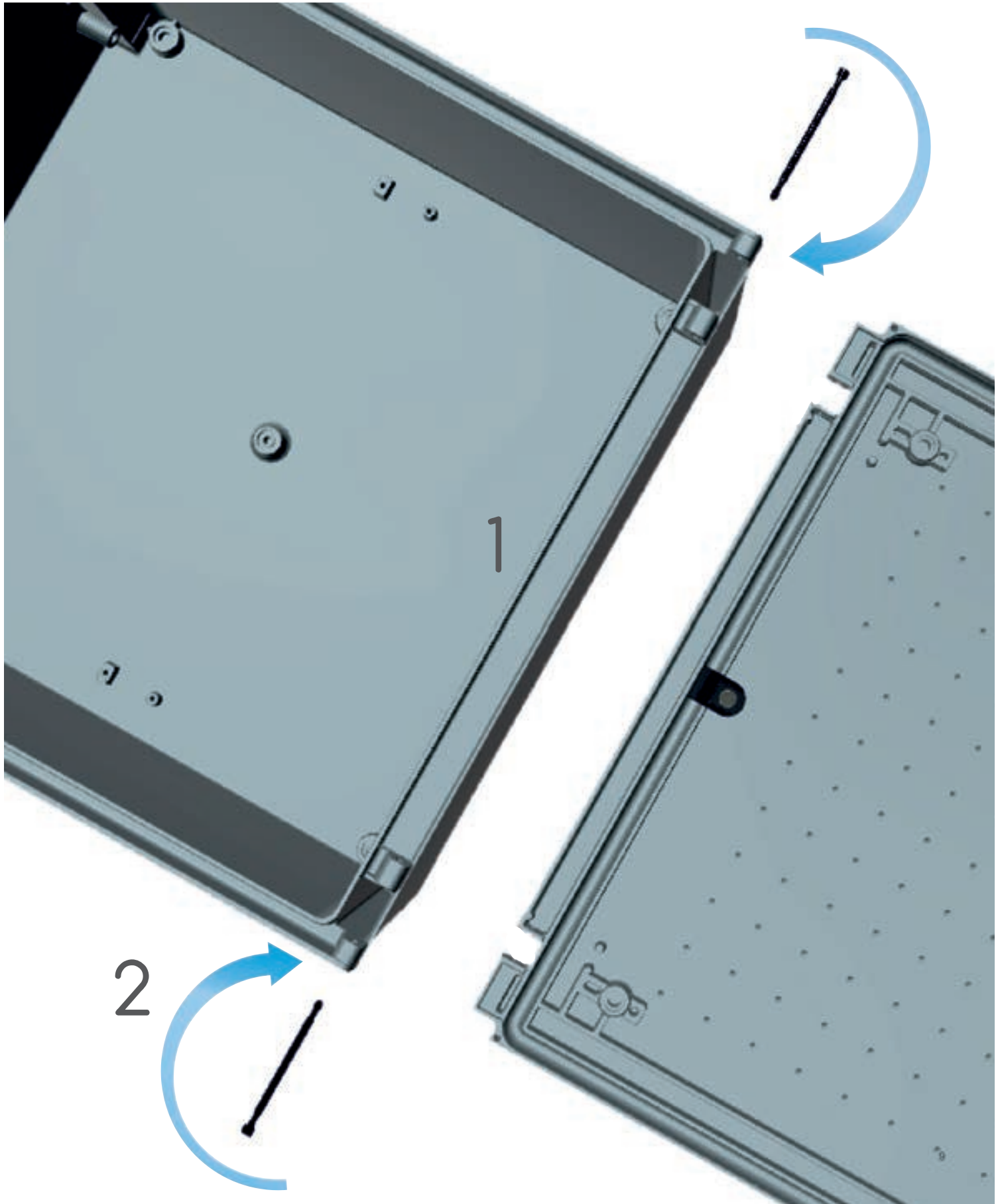
Our installation doesn't compromise watertightness and maintains the IP66 degree, and moreover we include a bag with all required screws





SAFYBOX BRES BUILDING INSTRUCTIONS

INSERTION OF THE NON-METALLIC HINGE PINS

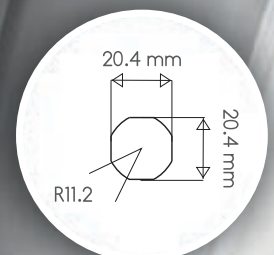
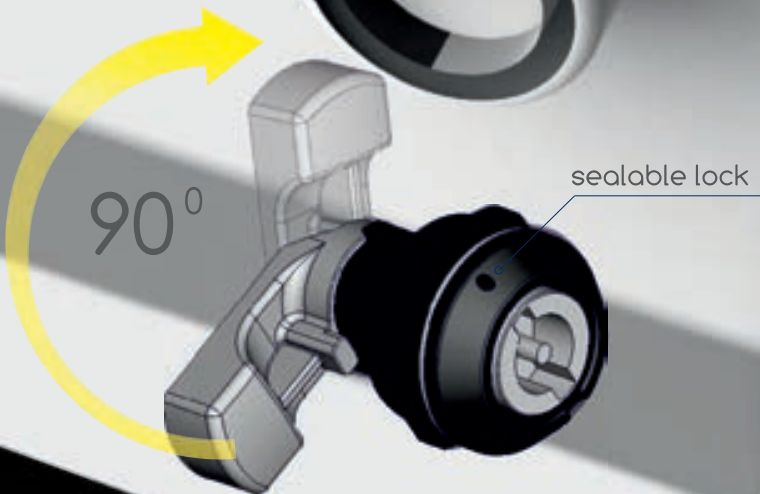




ADVANTAGES AND CHARACTERISTICS

NON METALLIC QUARTER TURN 90° LOCK

The standard lock can easily be changed





SAFYBOX BRES GENERAL DATA TABLE



	BRES-325	BRES-43	BRES-44	BRES-54	BRES-64	BRES-65	BRES-83	BRES-86
Exterior Dimensions								
Height (mm)	300	400	400	500	600	600	800	800
Width (mm)	250	300	400	400	400	500	300	600
Depth (mm)	140	200	200	200	230	230	230	300
Usable Interior Dimensions								
Height (mm)	273	373	373	473	573	573	773	773
Width (mm)	207	257	357	357	357	457	257	557
Depth (mm)	123	183	183	183	213	213	213	283
Packing								
Un/Palet 155x110cm	270	119	85	66	47	43	56	18
Un/Palet 110x110cm	208	84	60	50	40	32	32	12
Un/Palet 120x80cm	130	66	54	44	32	24	30	12
Un/Container 20' (11 pallets 120 x 80 x 220 cm)	1.430	726	594	484	352	264	330	132
Un/Container 40' (25 pallets 120 x 80 x 220 cm)	3.250	1.650	1.350	1100	800	600	750	300
Other characteristics								
N. of locks	1	2	2	2	2	2	2	2
N. of anti-buckling systems	1	2	2	2	2	2	2	2
Plate attachment points	4	4+1	4+1	4+2	4+2	4+2	4	4+3
Dissipation DT=40°C (W)	36,20	58,80	72,60	82,90	99,40	117,00	103,00	185,00
Weight (kg)	1,93	3,60	4,35	5,25	7,13	7,93	6,40	12,65
Polyester plate								
	pbp-325	pbp-43	pbp-44	pbp-54	pbp-64	pbp-65	pbp-83	pbp-86
Height (mm)	262	360	460	560	558	558	756	756
Width (mm)	198	248	348	348	348	448	248	548
Thickness (mm)	3	3	3	3	3	3	3	4
Weight (kg)	0,38	0,59	0,87	1,09	1,30	1,75	1,46	2,78
Metallic plate								
	pbm-325	pbm-43	pbm-44	pbm-54	pbm-64	pbm-65	pbm-83	pbm-86
Height (mm)	262	360	460	560	558	558	756	756
Width (mm)	198	248	348	348	348	448	248	548
Thickness (mm)	2	2	2	2	2	2	2	2
Weight (kg)	0,79	1,30	1,90	2,20	3,00	3,60	3,26	6,40
Internal door								
	PUI-325	PUI-43	PUI-44	PUI-54	PUI-64	PUI-65	PUI-83	PUI-86
Height (mm)	280	380	380	480	580	580	780	780
Width (mm)	230	280	380	380	380	480	280	580
Depth (mm)	17	17	17	17	17	17	17	17
Weight (kg)	0,49	0,59	0,75	1,00	1,10	1,30	1,10	2,20
DIN Rail chassis								
	CHM-325	CHM-43	CHM-44	CHM-54	CHM-64	CHM-65	CHM-83	CHM-86
Height (mm)	270	365	365	465	565	565	765	765
Width (mm)	226	278	378	378	378	478	278	578
Depth (mm)	110	125	125	125	125	125	125	125
Module capacity	20	24	36	54	72	96	70	145
Socle 500mm height, Weight (kg)			F0-44 (6,10)	F0-54 (6,10)	F0-64 (6,10)	F0-65 (7,20)	F0-86 (8,25)	
Socle 750mm height, Weight (kg)			F1-44 (7,90)	F1-54 (7,90)	F1-64 (7,90)	F1-65 (8,90)	F1-86 (10,10)	
Socle 1.000mm height, Weight (kg)			F2-44 (8,85)	F2-54 (8,85)	F2-64 (8,85)	F2-65 (9,90)	F2-86 (11,00)	

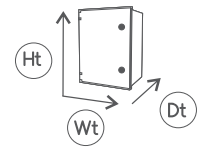


SAFYBOX BRES ACCESSORIES

DIRECT WALL MOUNTING - PREMARKED DISTANCES



data in mm



All cabinets are premarked on their posterior area with the measurements between the direct wall attachment points

Code	Description	Ht	Wt	Dt	H	W
BRES-325	Empty standard cabinet	300	250	140	250	223
BRES-43	Empty standard cabinet	400	300	200	348	273
BRES-44	Empty standard cabinet	400	400	200	348	373
BRES-54	Empty standard cabinet	500	400	200	448	373
BRES-64	Empty standard cabinet	600	400	230	546	373
BRES-65	Empty standard cabinet	600	500	230	546	473
BRES-83	Empty standard cabinet	800	300	230	748	273
BRES-86	Empty standard cabinet	800	600	300	744	573

! Therefore you don't need to raise up the cabinet to mark the distances

