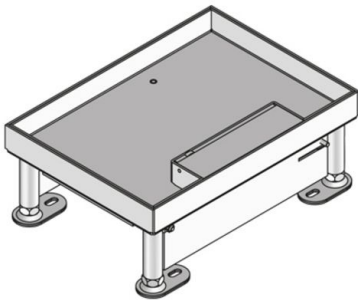


UEKD2 V E

stainless steel hinged cover unit, double, angular



Quadrangular cartridge unit made of stainless steel sheet with hem. As a height-adjustable installation unit with cable outlet cassette, self-closing opening lever, floor-level cable outlet and rubber seal. For the installation into floor boxes and raised or hollow floor openings. To accommodate up to 2 mounting boxes equipped with up to 6 suspension bracket installation devices or 8 installation devices of 45x45mm. Suitable for rooms with dry and damp-cleaned floor covers. Designed for office traffic loads.

Please mind the technical information in chapter planning.



material	cover with cable outlet and frame: high-grade sheet steel
type of assembly	Assembly in floor box UBDHB, double or hollow floor openings
application area	dry floor cleaning
protection class	in use IP 20 / not in use IP 30
norm	according to DIN EN 50085
permits	according to VDE / TÜV
loading	including inspection stamp Ø 13 mm: 1.5 kN

Stainless steel, according to ASTM 304 / BS 304 S 3

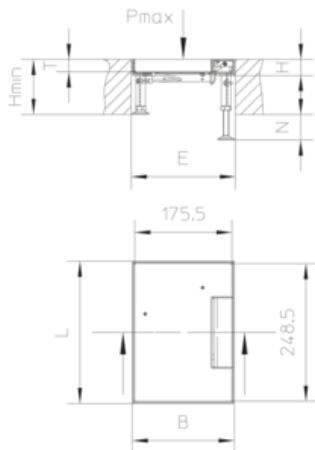
Product	H	H _{min}	N	B	L	E	T	P _{max}	IP _n	IP _g	G
UEKD2 15-V E	19 mm	90 mm	45 mm	258 mm	184 mm	261 x 186 mm	12 mm	1,5 kN	IP 30	IP 20	2,4 kg
UEKD2 25-V E	29 mm	100 mm	45 mm	258 mm	184 mm	261 x 186 mm	22 mm	1,5 kN	IP 30	IP 20	2,6 kg

H: height
H_{min}: Minimum installation height
N: levelling range
B: width
L: length



E: fitting dimension
T: depth
P_{max}: Maximum load
IP_n: IP protection level in unused condition
IP_g: IP protection level in used condition
G: weight

DETAILS / APPLICATIONS



OPTIONAL ACCESSORIES

UGEAV2, UBDSLFL, UGM SLF



dry-cleaned

