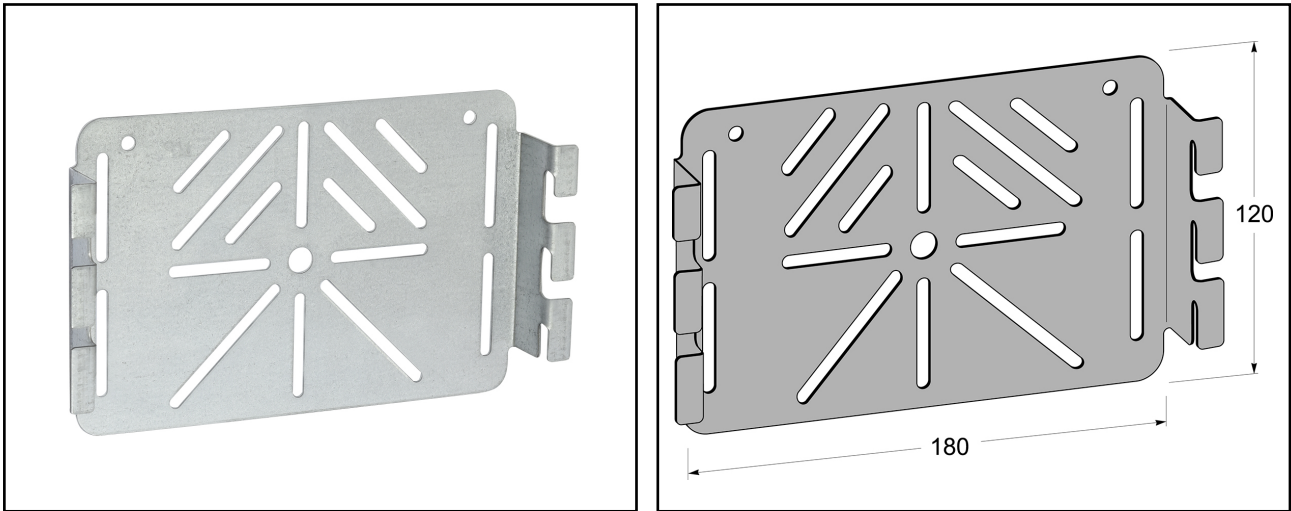


# Mounting plate perforated 180x120 mm

Mounting plate for fitting boxes and socket outlets, etc. - perforated.



MP-no	GTIN	Dimension (LxBxH) mm	Weight kg	Surface	Max env. class	Pieces/ pack.
739Z	7394333056029	206x120x28	0.27	Hot-dip galvanized 60 µm	C4	10