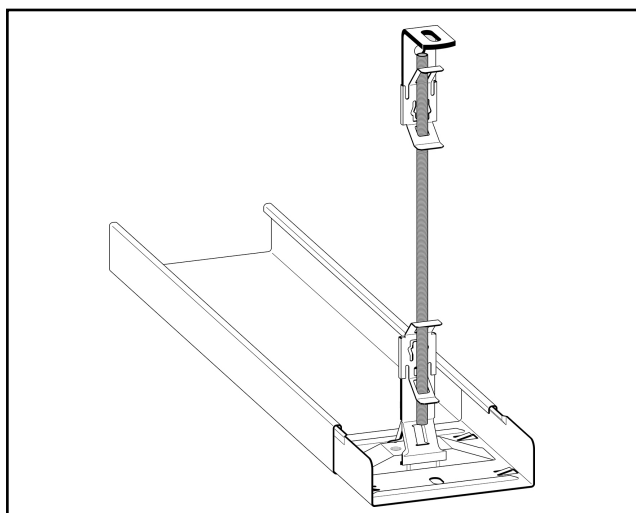
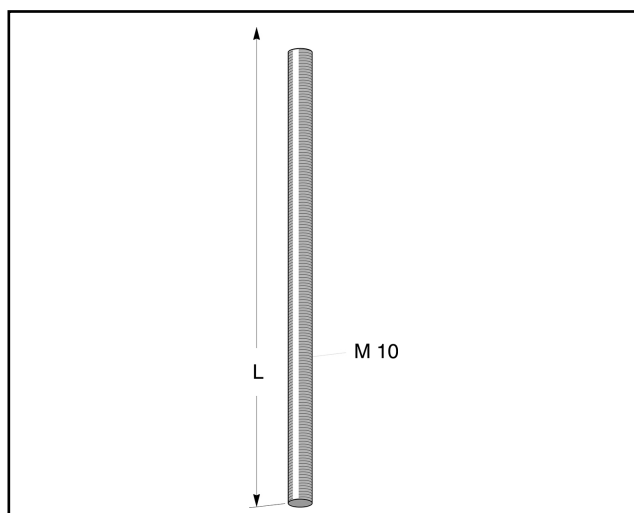
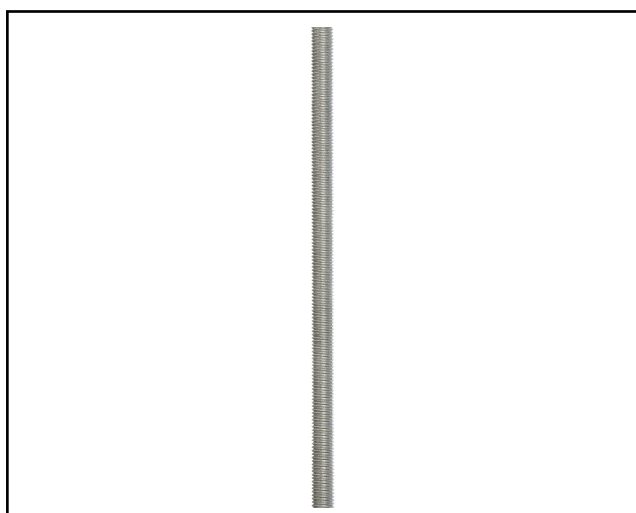


Threaded rod M10 3 m

In order to get an adjustment of ± 25 mm in combination with the threaded rod bracket, cut the pendant as follows: 50-75 mm 90 mm shorter than the required inset height. 100-600 mm 50 mm shorter than the required inset height.



MP-no	GTIN	Dimension (LxBxH) mm	Weight kg	Surface	Max env. class	Pieces/ pack.
928R	7394333125435	3000x10x10	1.50	Acid resistant 316L	C5-M	20