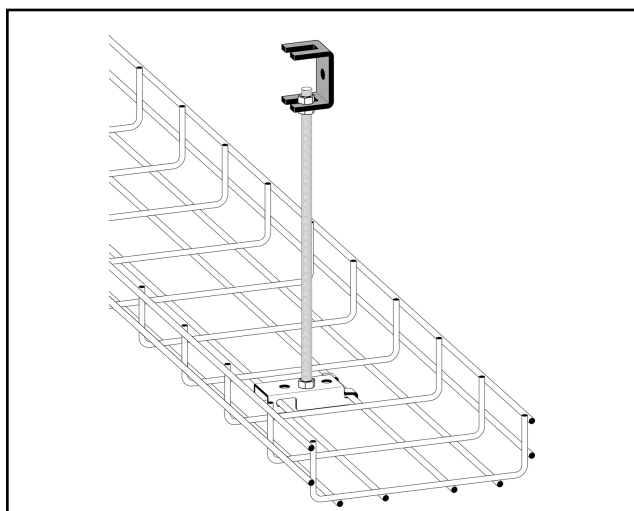
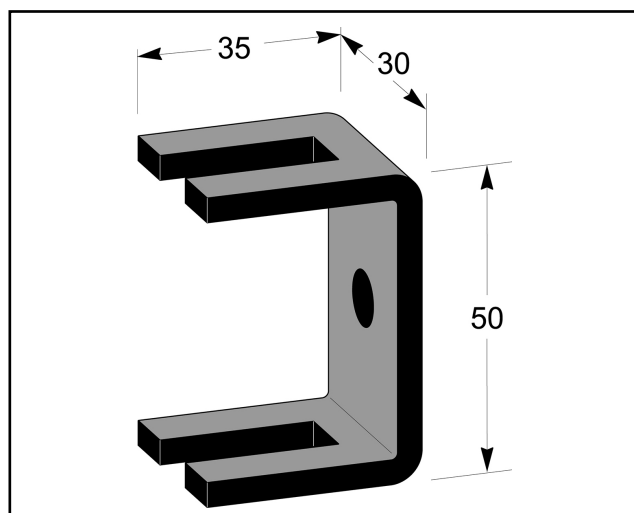


Ceiling bracket threaded rod

The ceiling bracket is used to suspend wire mesh trays from the threaded rod. The threaded rod is secured to the ceiling bracket using two nuts MP-044.



MP-no	GTIN	Dimension (LxBxH) mm	Weight kg	Surface	Max env. class	Pieces/pack.
760Z	7394333122007	30x35x50	0.08	Hot-dip galvanized 60 µm	C4	10