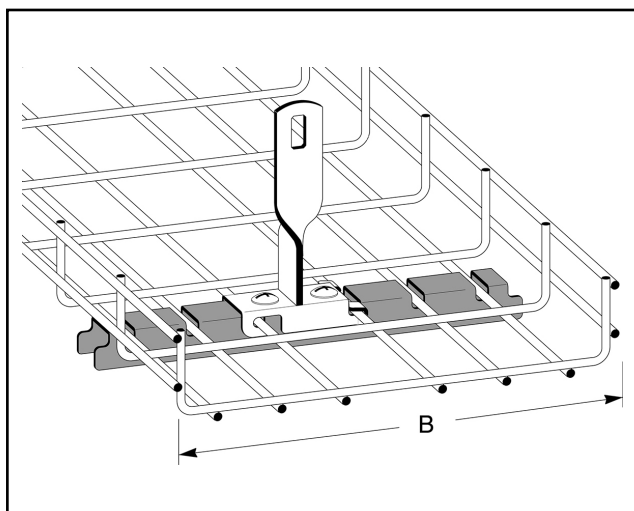
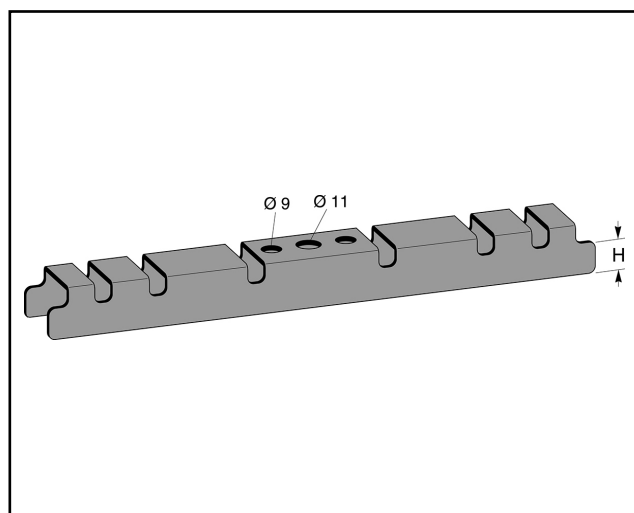
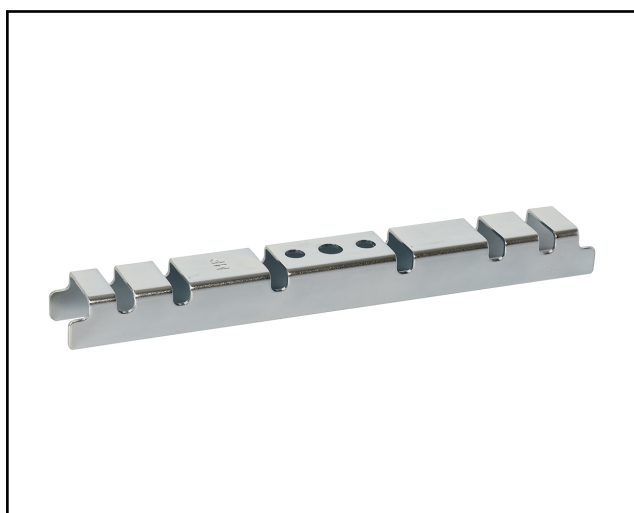


Support for wire mesh yoke 300-400 mm

Used together with Support yoke MP-757 for wire mesh trays in the width 300-600 mm, to prevent the wire mesh tray bending with heavy loads. The support is screwed to the support yoke with fastening screw MP-937 after the wire mesh tray has been fitted in the support yoke.



MP-no	GTIN	Dimension (LxBxH) mm	Weight kg	Surface	Max env. class	Pieces/pack.
758E	7394333053011	250x31x23	0.26	Electro-galvanized 10 μm	C1	10