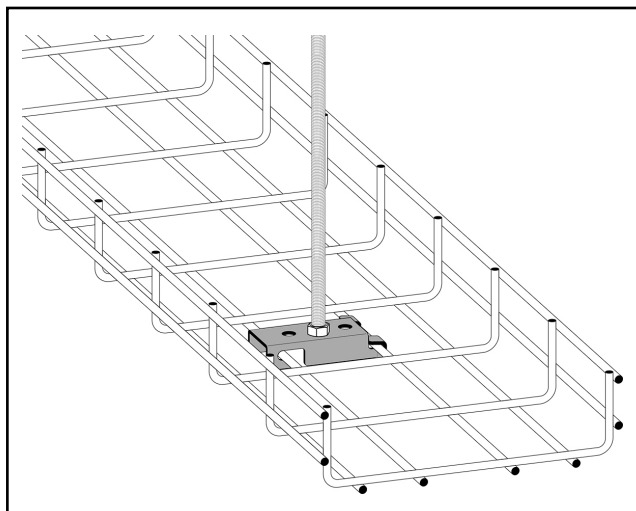
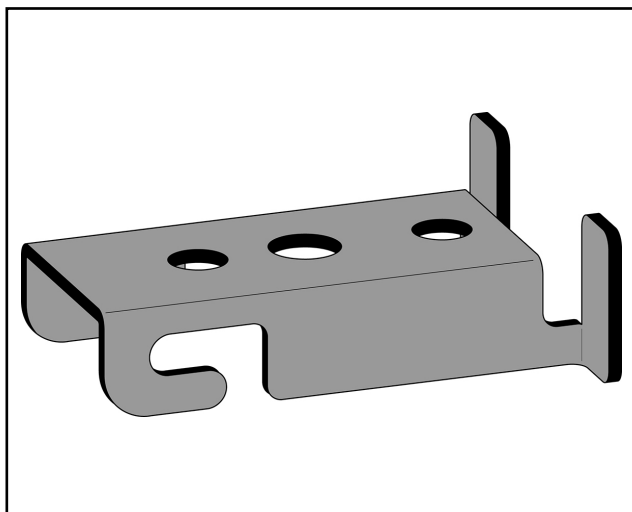
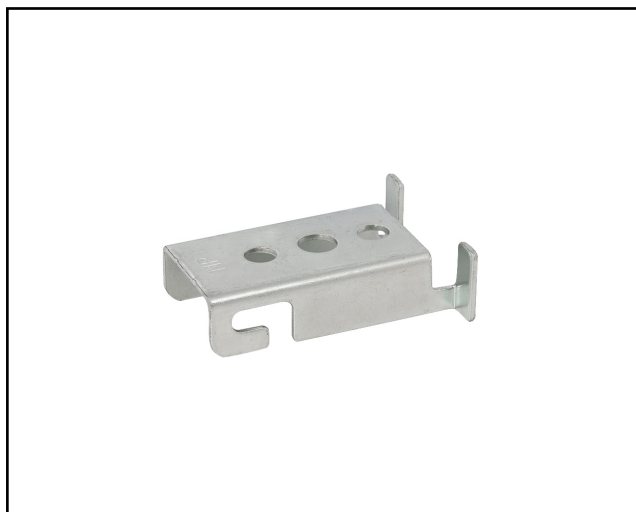


Support yoke for threaded rod 120-600 mm

Support yoke intended for fastening to M10 threaded rod. Secured to the threaded rod with two M10 nuts 11 175 62. Exercise care in the event of unbalanced loads.



MP-no	GTIN	Dimension (LxBxH) mm	Weight kg	Surface	Max env. class	Pieces/ pack.
759E	7394333053561	75x55x22	0.07	Electro-galvanized 10 µm	C1	10