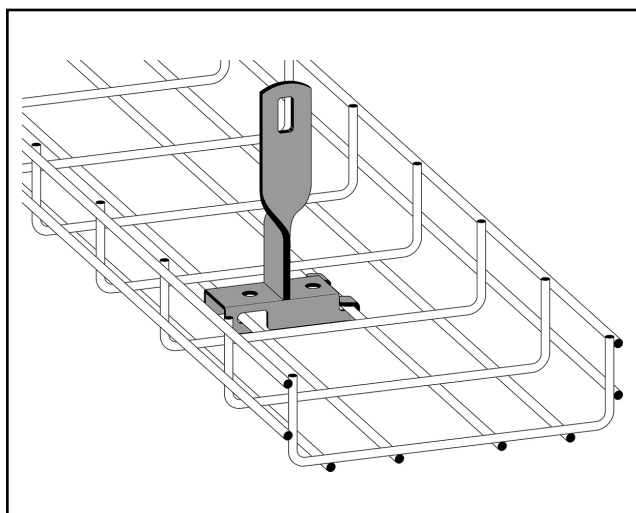
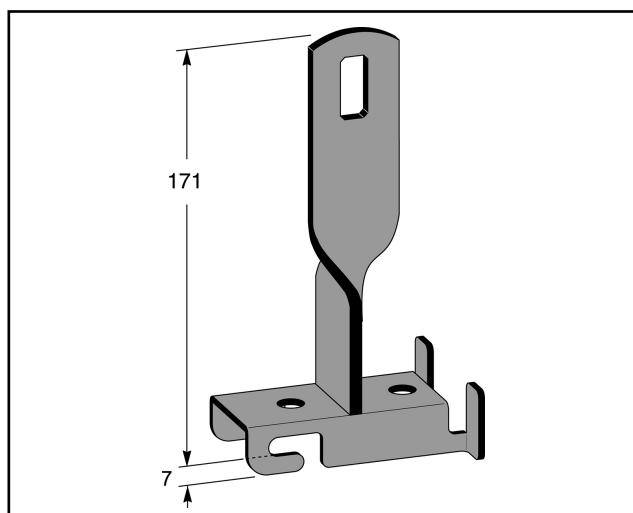


Support yoke wire mesh tray 120-600 mm

Support yoke for widths 120-600 mm. The widths 300-600 mm can be supplemented with a support for wire mesh yoke to prevent the edges bending down. Maximum load =80 kg. Ultimate failure load: greater than or equal to 1.7 times the maximum load.



MP-no	GTIN	Dimension (LxBxH) mm	Weight kg	Surface	Max env. class	Pieces/ pack.
757E	7394333052175	75x55x178	0.22	Electro-galvanized 10 µm	C1	10