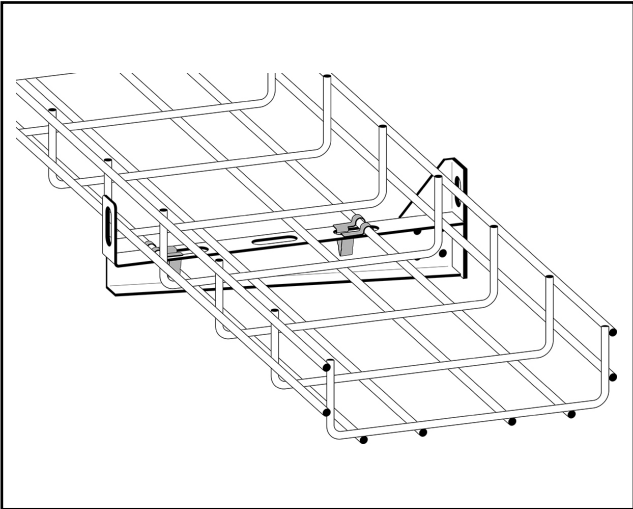


Cantilever arm clips 10 pcs.

Cantilever arm clips for fastening wire mesh trays on cantilever arm type KL. 10 per package.



MP-no	GTIN	Dimension (LxBxH) mm	Weight kg	Surface	Max env. class	Pieces/ pack.
733R	7394333053363	20x27x27	0.03	Acid resistant A4	C5-M	20