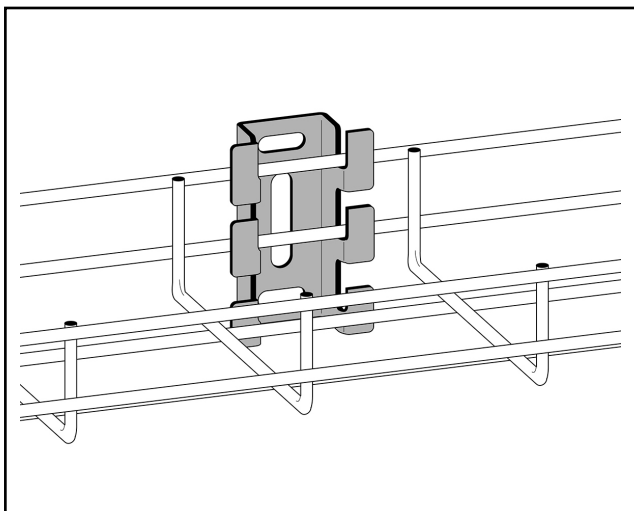
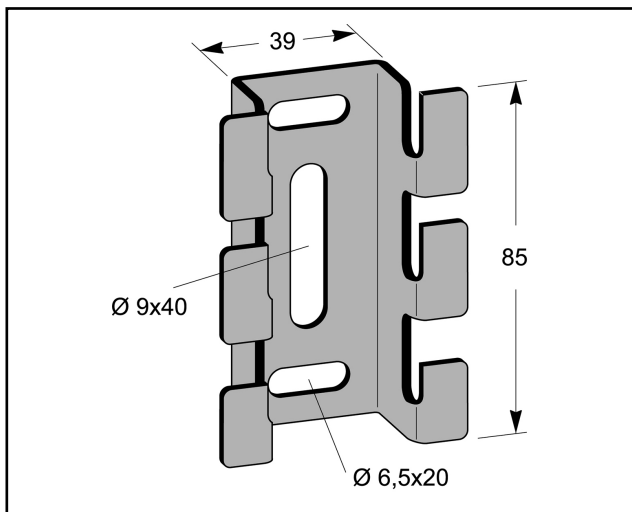


Wall bracket for wire mesh tray

Wall bracket for suspending wire mesh trays horizontally, vertically, or on end along walls. Primarily designed for widths 75 and 120 mm.



MP-no	GTIN	Dimension (LxBxH) mm	Weight kg	Surface	Max env. class	Pieces/ pack.
735S	7394333056159	28x57x85	0.11	Pre-galvanised sheet metal 20	C2	10