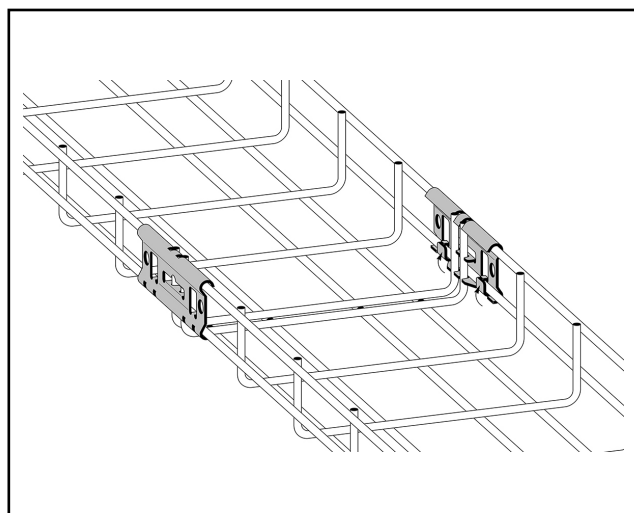
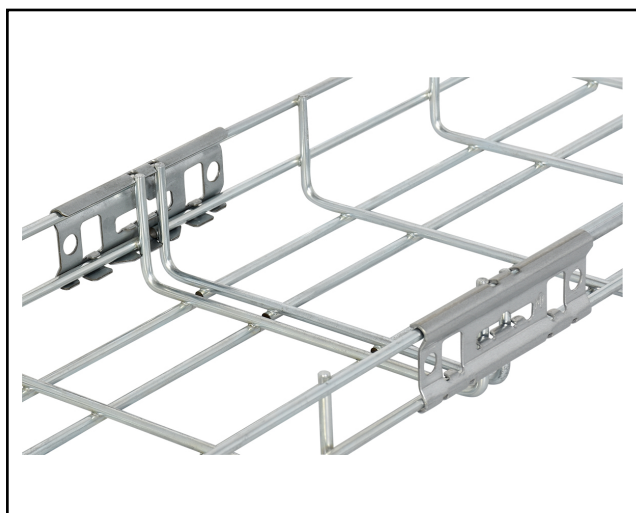
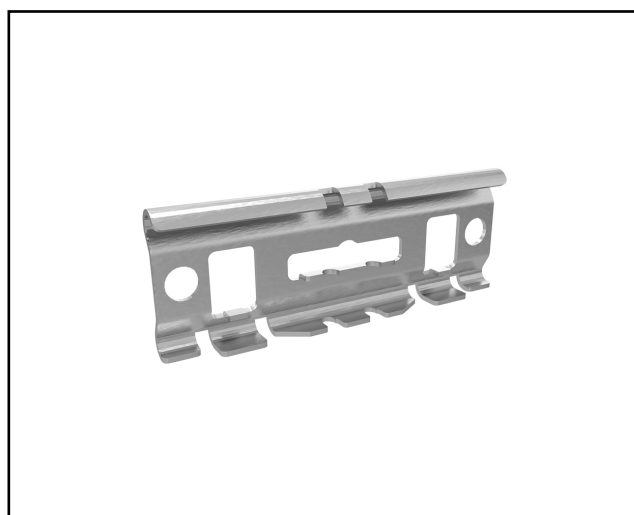
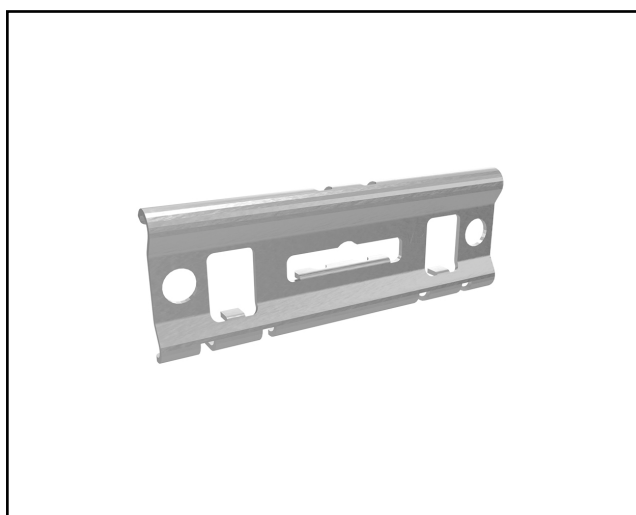


## Wire mesh tray splice

Splice for wire mesh trays. Fitted by folding on the side of the tray after when the locking tongues are bent up with pliers. If necessary the splice can be locked using the MP fastening screw. Approved for equipotential bonding, even outside the screw joint. Can only be used on Z4 wire mesh trays.



MP-no	GTIN	Dimension (LxBxH) mm	Weight kg	Surface	Max env. class	Pieces/ pack.
730Z4	7394333052779	110x40x10	0.06	Z4	C4	10