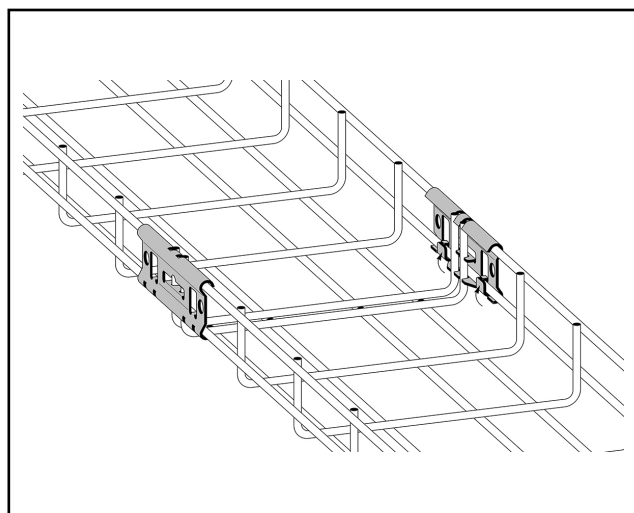
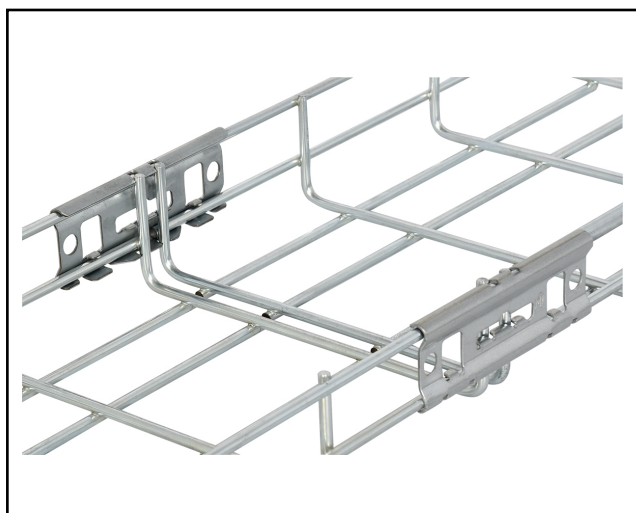
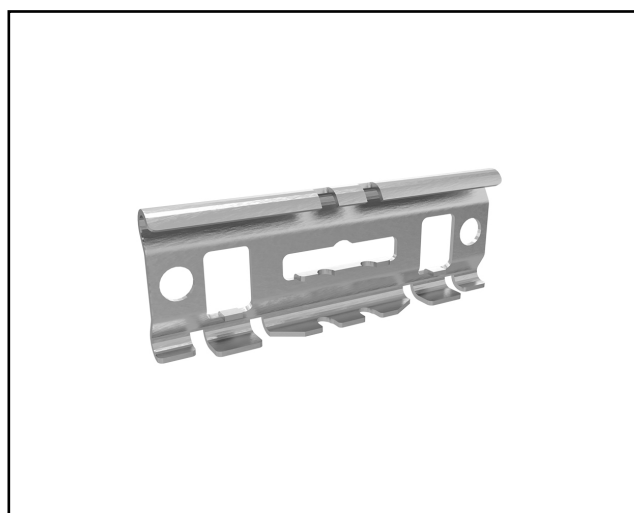


Wire mesh tray splice

Splice for wire mesh trays. Fitted by folding on the side of the tray after when the locking tongues are bent up with pliers. If necessary the splice can be locked using the MP fastening screw. Approved for equipotential bonding, even outside the screw joint.



MP-no	GTIN	Dimension (LxBxH) mm	Weight kg	Surface	Max env. class	Pieces/ pack.
730S	7394333052755	110x40x10	0.06	Pre-galvanised sheet metal 20	C2	10