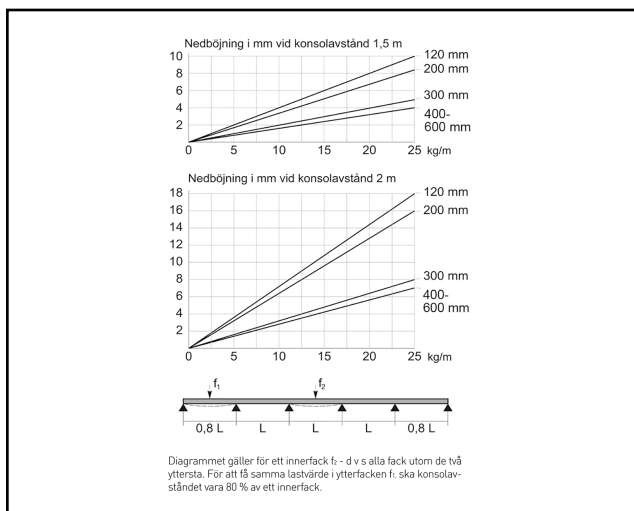
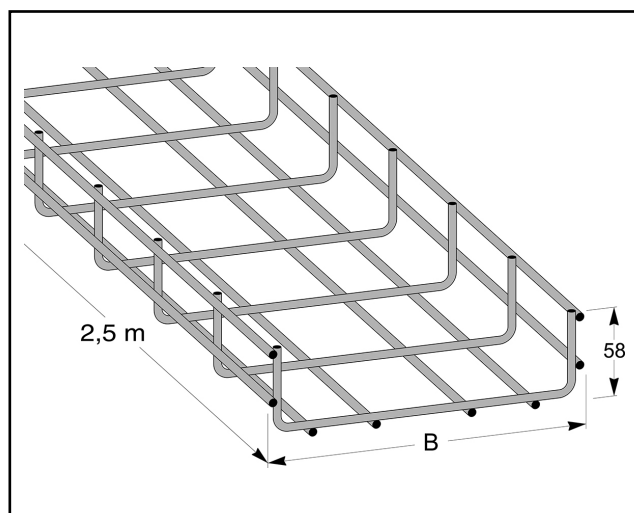
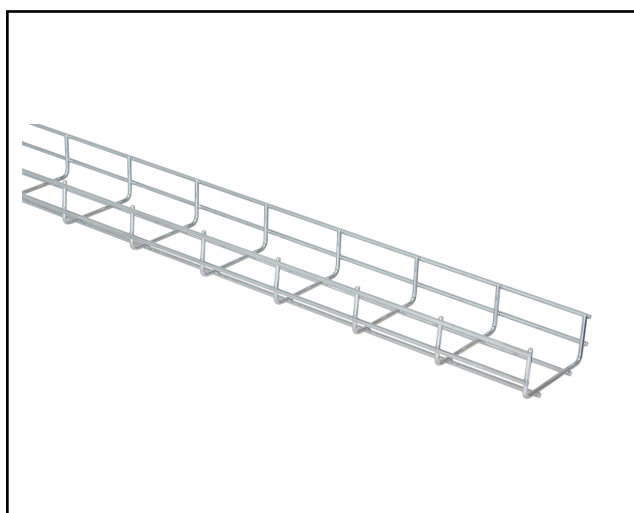


# Wire mesh tray 120 mm

Wire mesh tray electro-galvanized, for versatile installations.  $\varnothing$  5 mm wire, length 2.5 m, height 58 mm. Several of the accessories are shared with the remainder of the MP range. Can be ordered in optional colour finish. Corrosivity class max C1.



MP-no	GTIN	Dimension (LxBxH) mm	Weight kg	Surface	Max env. class	Pieces/pack.
722E	7394333050973	2500x120x58	3.10	Electro-galvanized 10 $\mu$ m	C1	6