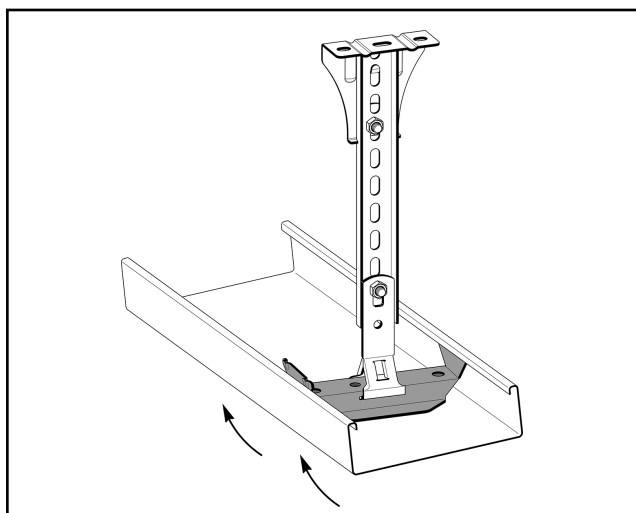
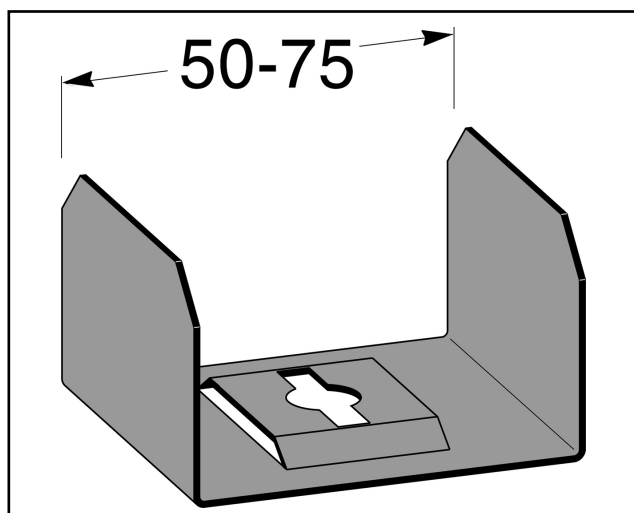


Support yoke tray 50 mm

Support yoke for cable trays 50-600 mm. NB: Support yoke 50-75 mm slid in from the tray end and can only be used for centre suspension. Max load for support yoke = 150 kg evenly distributed load. Ultimate failure load: greater than or equal to 1.7 times the maximum load.



MP-no	GTIN	Dimension (LxBxH) mm	Weight kg	Surface	Max env. class	Pieces/pack.
596S	7394333120515	48x65x41	0.08	Pre-galvanised sheet metal 20	C2	10