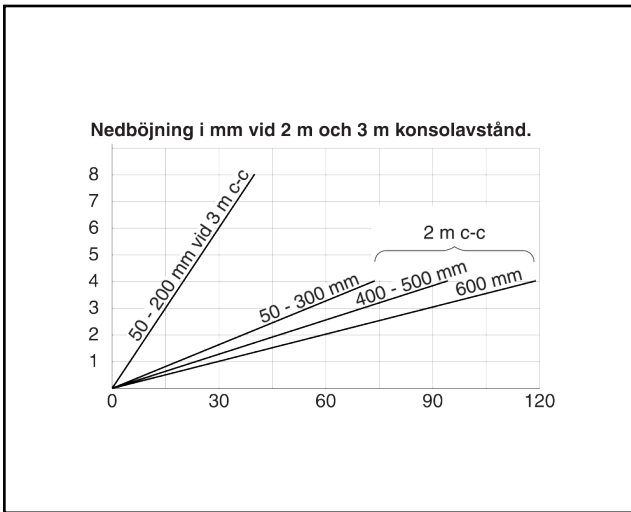
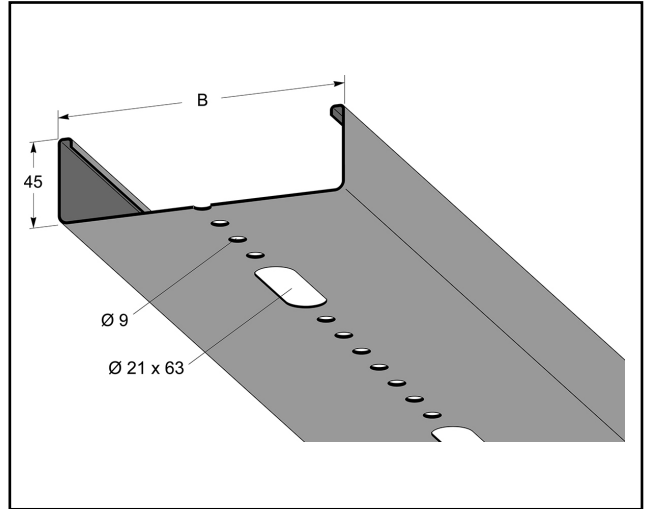


Luminaire rail 3 m 50 mm

Luminaire rail. Painted rails are supplied with internally paint-free ends. Hole pattern for 3- and 5-way snap-in connectors. Other lengths and colours and hot-dip galvanized rails quoted on request. The Sendzimir process is used to prevent corrosion and may result in slight variations in colour/appearance. Bracket distance is determined by the length of the rail. 2 m rail = C-C 2 m and 3 m rail C-C = 3 m. 6 m rail needs a suspension in the middle. These values apply at normal load.



MP-no	GTIN	Dimension (LxBxH) mm	Weight kg	Surface	Max env. class	Pieces/pack.
391S	7394333103679	3000x50x45	3.55	Pre-galvanised sheet metal 20	C2	6