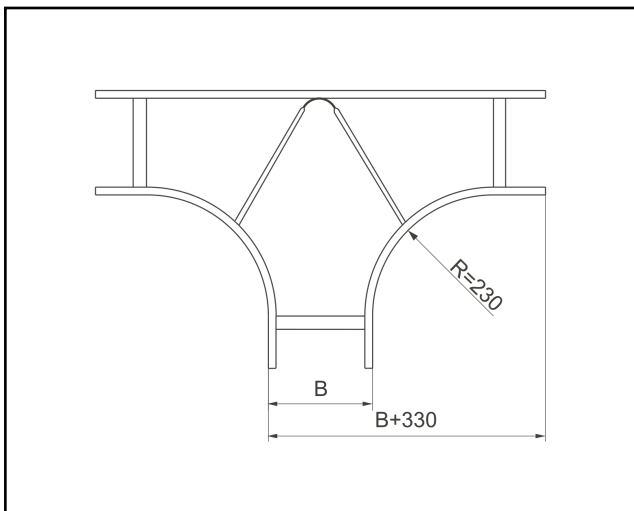
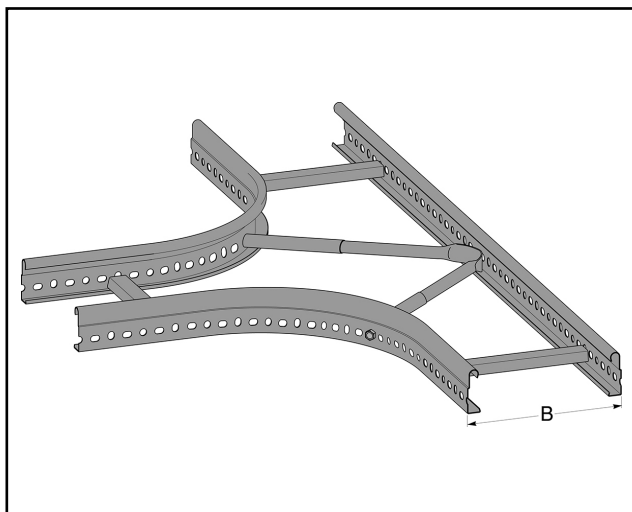


Tee piece ladder 200 mm

Use six splices MP-107 per junction. NB! Widths 400-600 have several pins.



| MP-no | GTIN | Dimension (LxBxH) mm | Weight kg | Surface | Max env. class | Pieces/ pack. |
|-------|---------------|----------------------|-----------|-------------------------------|----------------|---------------|
| 132S | 7394333018683 | 530x860x56 | 2.49 | Pre-galvanised sheet metal 20 | C2 | |