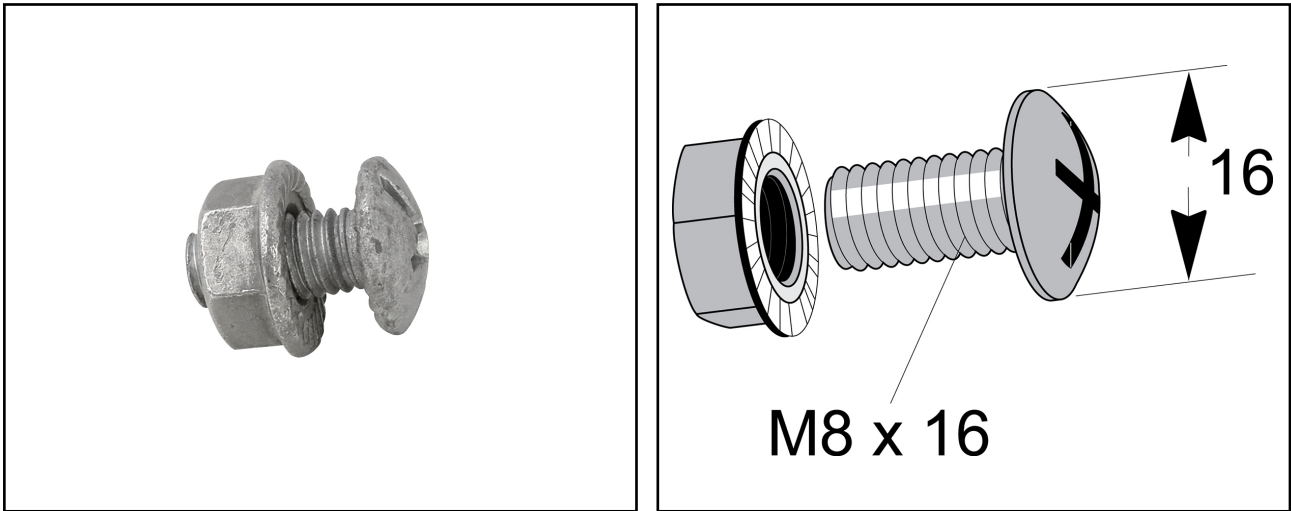


# Pack of 50 screws M8x16

Fastening screw used for all screw joints except joining of links on the FZ-ladder. 50 per package.



MP-no	GTIN	Dimension (LxBxH) mm	Weight kg	Surface	Max env. class	Pieces/ pack.
937Z	7394333037561	20x15x15	0.79	Hot-dip galvanized 60 µm	C4	