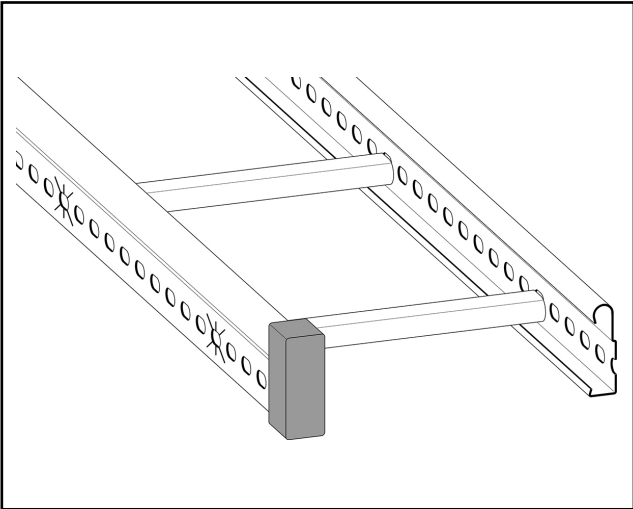


End protection ladder

End protection designed for ladder types: MP-S, TS, Z, PZ, AZ and PAZ.



MP-no	GTIN	Dimension (LxBxH) mm	Weight kg	Surface	Max env. class	Pieces/pack.
169P	7394333008431	63x26x28	0.02	RAL 3028	N/A	10