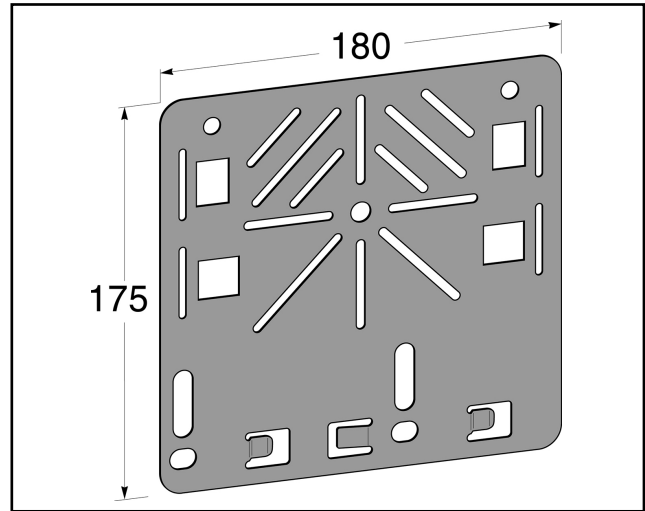
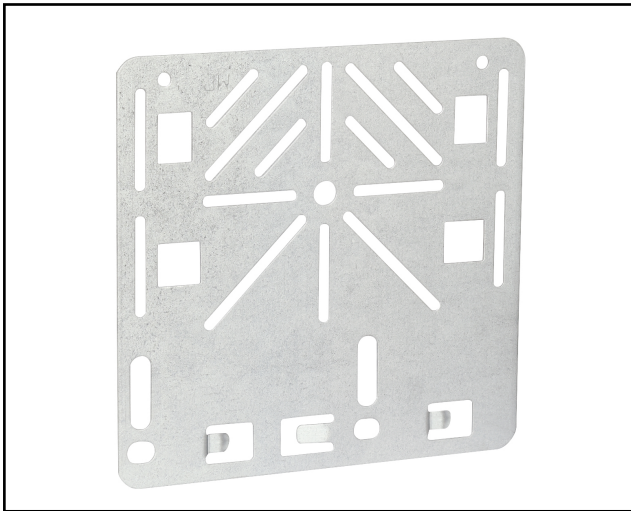


Mounting plate perforated 180x175 mm

Mounting plate for fitting boxes and socket outlets, etc. Snapped to the side of the ladder on ladder types MP-S, TS, Z, PZ and AZ. Screwed on ladder type MP-FZ.



MP-no	GTIN	Dimension (LxBxH) mm	Weight kg	Surface	Max env. class	Pieces/ pack.
112S	7394333024431	180x175x1	0.20	Pre-galvanised sheet metal 20	C2	10