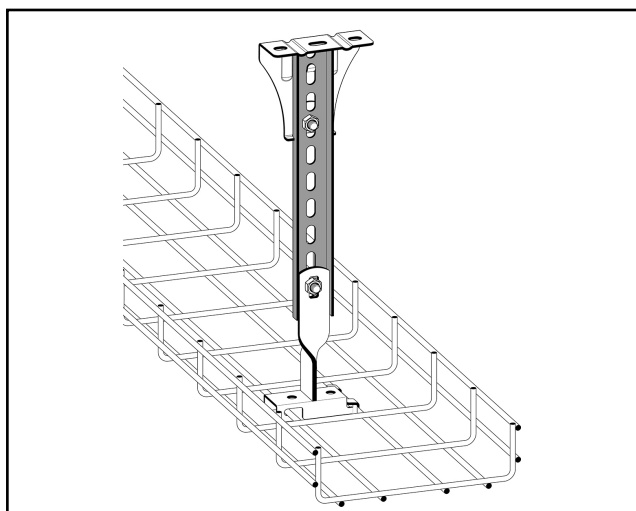
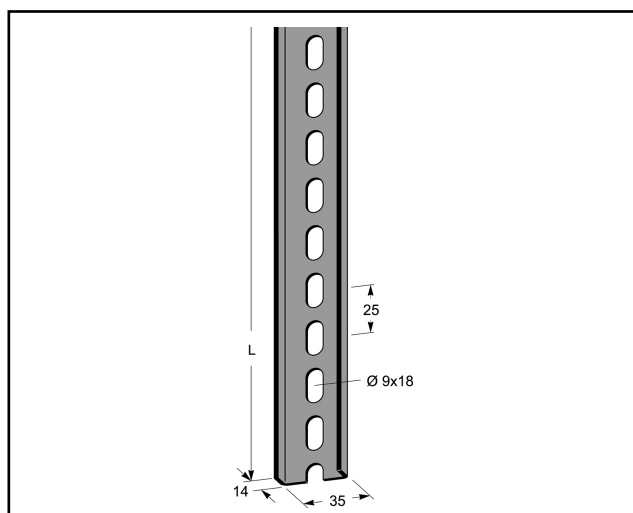
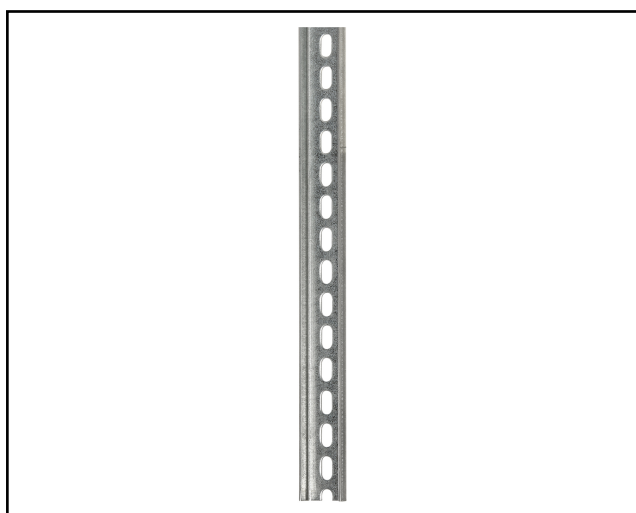


Pendant rail 3000 mm

Several support yokes can be installed on the same pendant. Cutting marks c-c 100 mm.



MP-no	GTIN	Dimension (LxBxH) mm	Weight kg	Surface	Max env. class	Pieces/ pack.
910S	7394333010755	3000x35x14	2.34	Pre-galvanised sheet metal 20	C2	10