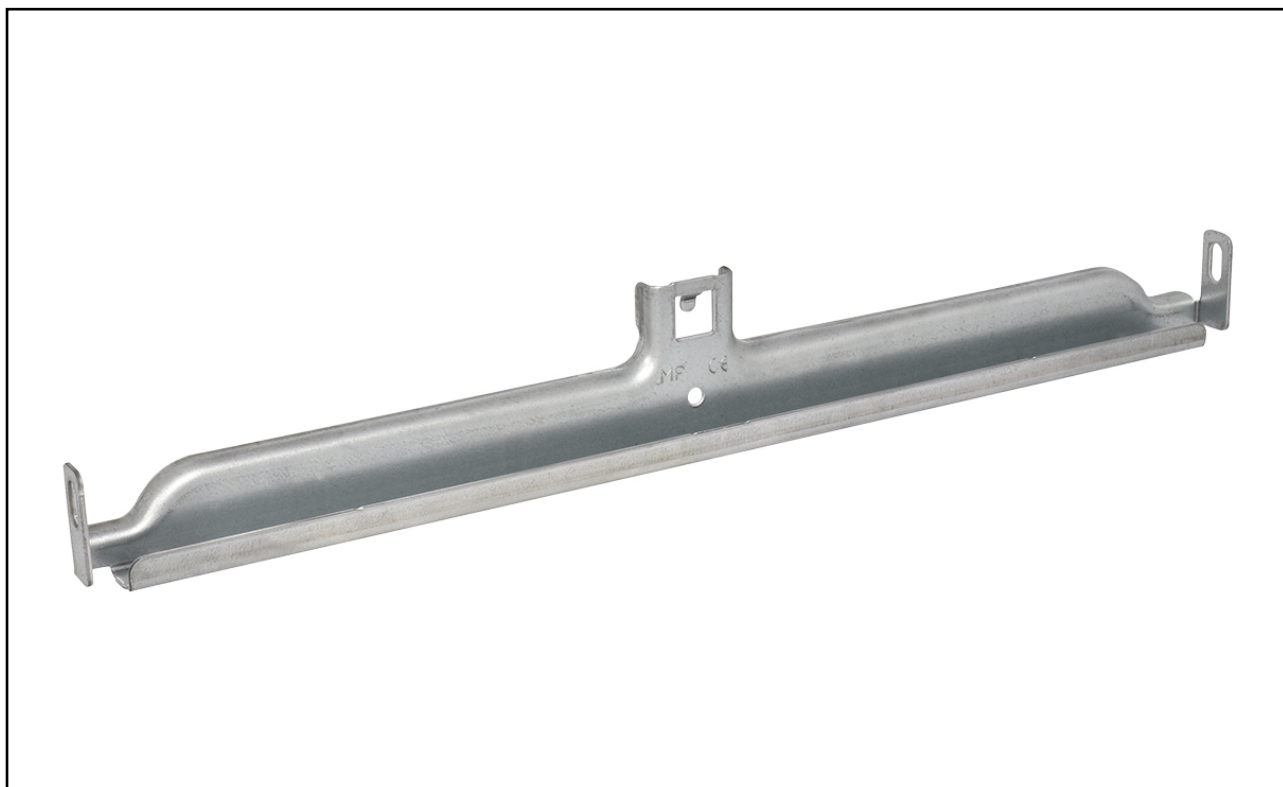


## Support yoke, ladder 600 mm

External support yoke that fits all our cable ladders except the stainless models. Only adds 20 mm below the ladder. To secure on the cable ladder and with use of pendant rail use 11 157 11. For installation on ceiling anchor rail type MP-DV, -FDV use 11 157 84 or 11 157 86. Ultimate failure load: greater than or equal to 1.7 times the maximum load.



MP-no	GTIN	Dimension (LxBxH) mm	Weight kg	Surface	Max env. class	Pieces/ pack.
166S2	7394333023182	610x82x38	1.00	Pre-galvanised sheet metal 20	C2	