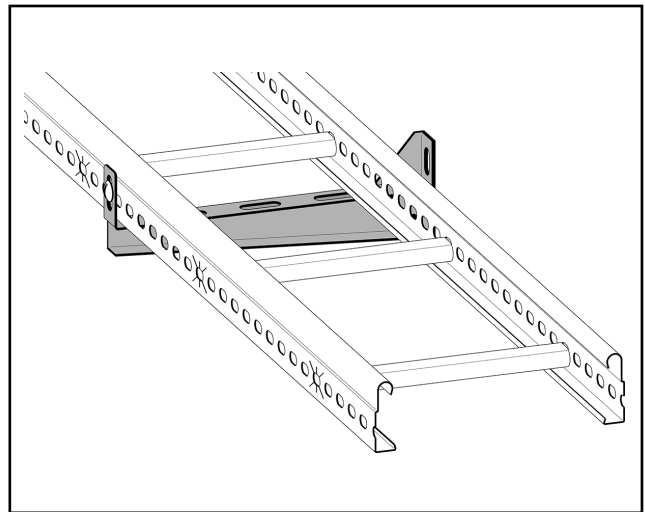
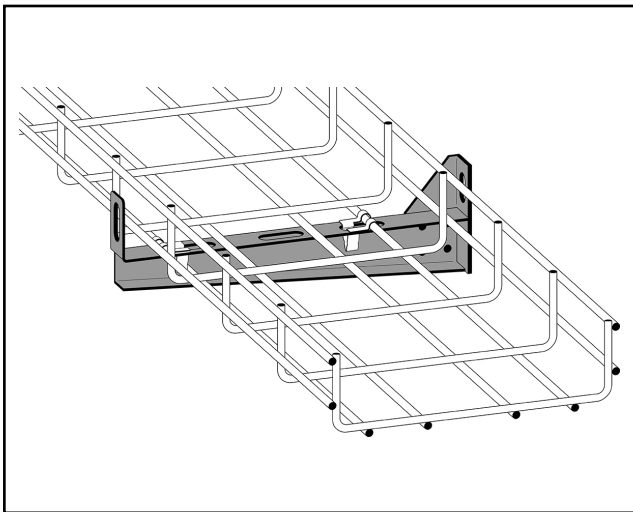
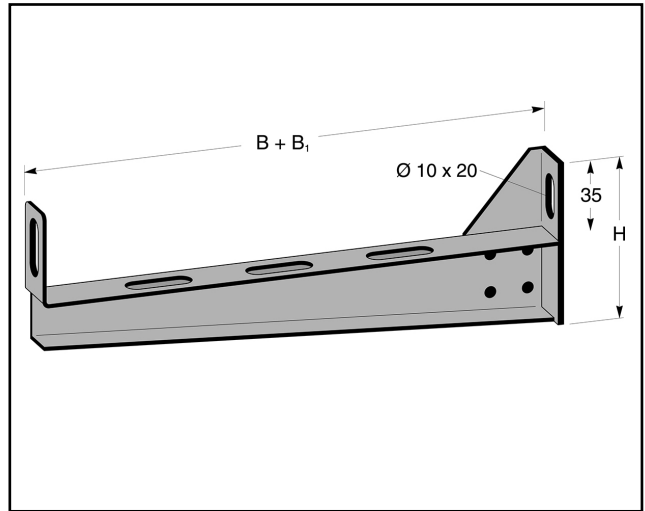


# Lightweight cantilever arm 150 mm

For wall mounting or ceiling pendant. Suitable for cable ladders, cable trays/luminaire rails and wire mesh trays. Max load 150 kg. Ultimate failure load: more than or equal to 1.7 times the maximum load.



MP-no	GTIN	Dimension (LxBxH) mm	Weight kg	Surface	Max env. class	Pieces/pack.
752S	7394333054377	194x41x76	0.27	Pre-galvanised sheet metal 20	C2	10