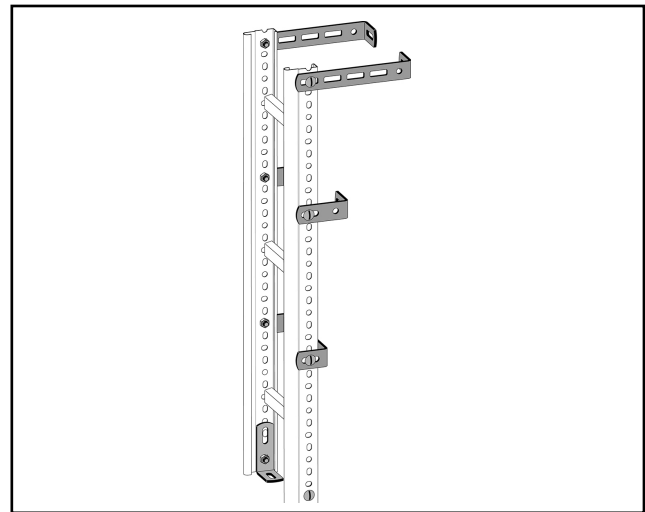
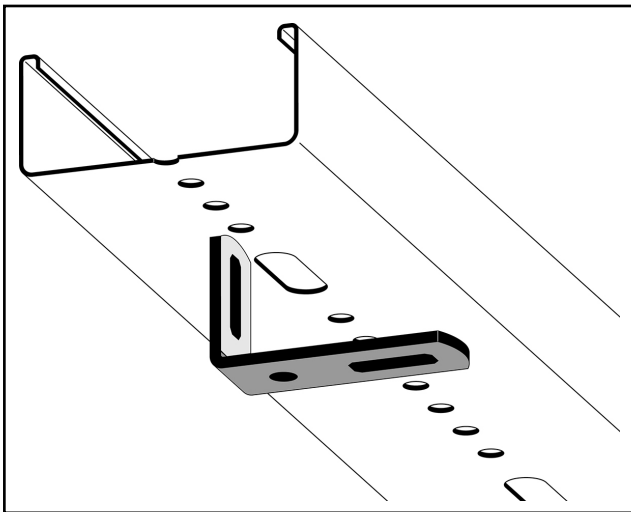
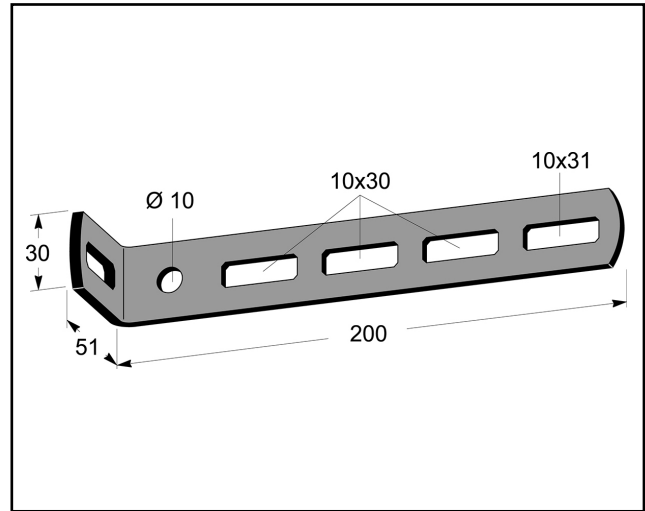
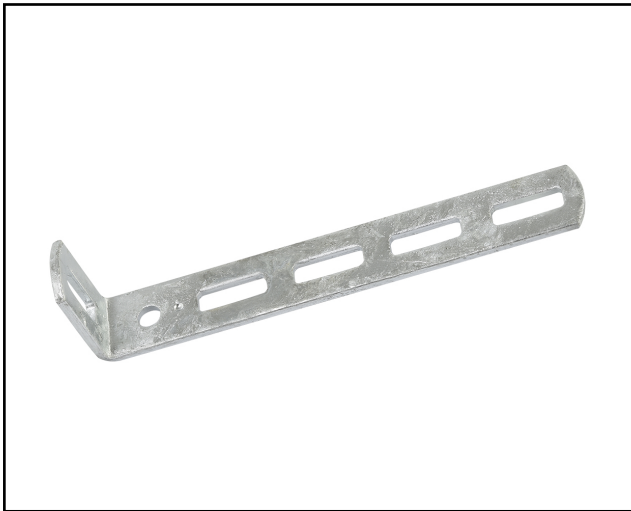


# Angle bracket 200 mm

Meets requirements for equipotential bonding according SS-EN 61537:2007.



MP-no	GTIN	Dimension (LxBxH) mm	Weight kg	Surface	Max env. class	Pieces/pack.
901Z	7394333021003	200x51x30	0.19	Hot-dip galvanized 60 µm	C4	10