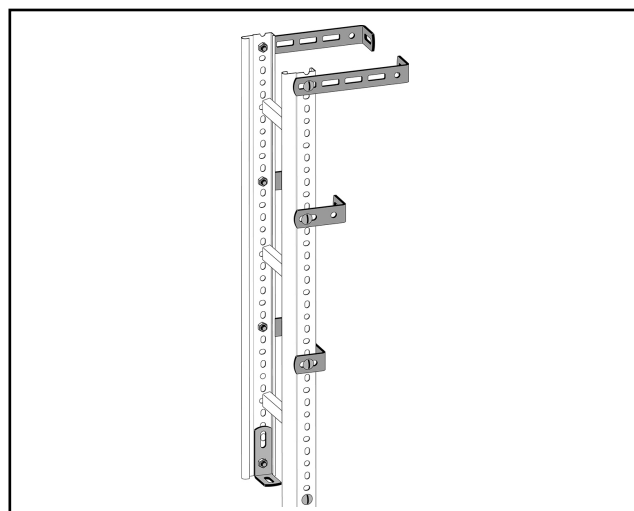
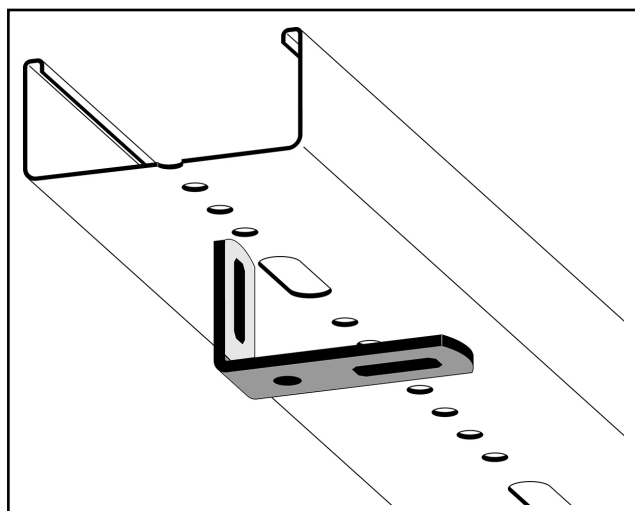
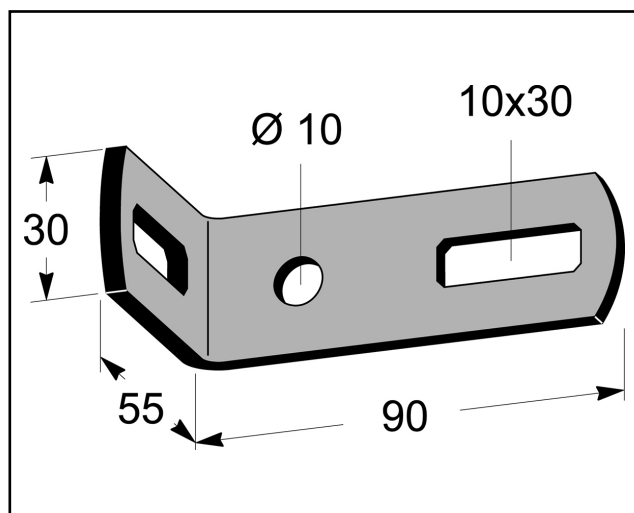


Angle bracket

Meets requirements for equipotential bonding according SS-EN 61537:2007.



MP-no	GTIN	Dimension (LxBxH) mm	Weight kg	Surface	Max env. class	Pieces/pack.
900Z	7394333014999	90x55x30	0.11	Hot-dip galvanized 60 μm	C4	10