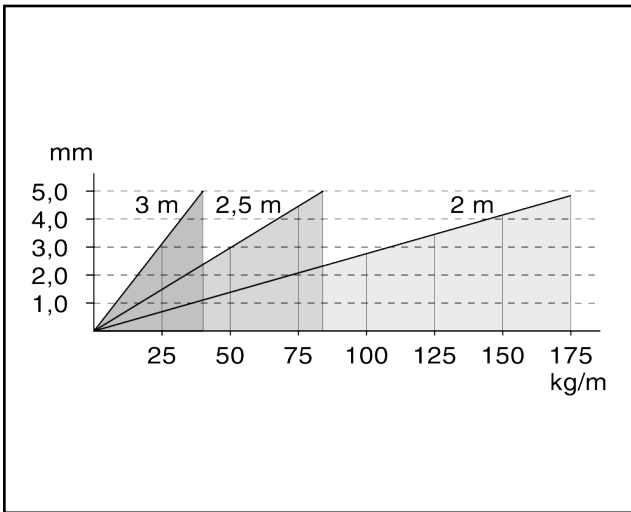
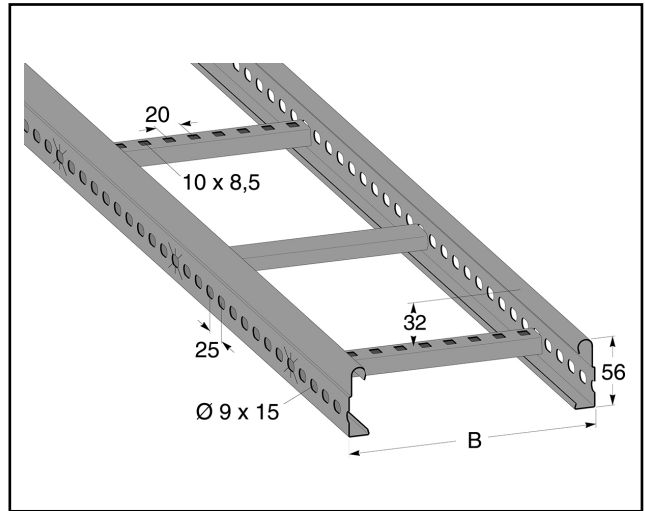
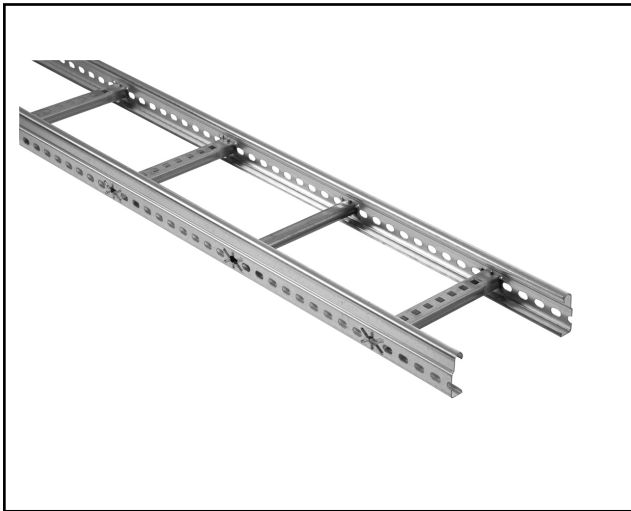


Cable ladder 6 m 500 mm

Meet EL AMA's requirements for heavy cable ladders. Available on request in painted finish. Rung spacing c-c 250 mm. Ultimate failure load: greater than or equal to 1.7 times the maximum load.



MP-no	GTIN	Dimension (LxBxH) mm	Weight kg	Surface	Max env. class	Pieces/pack.
105S6	7394333000480	6000x500x56	13.36	Pre-galvanised sheet metal 20	C2	10