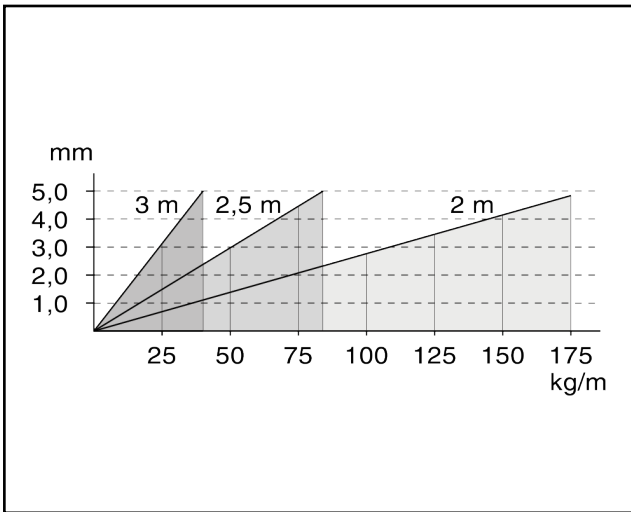
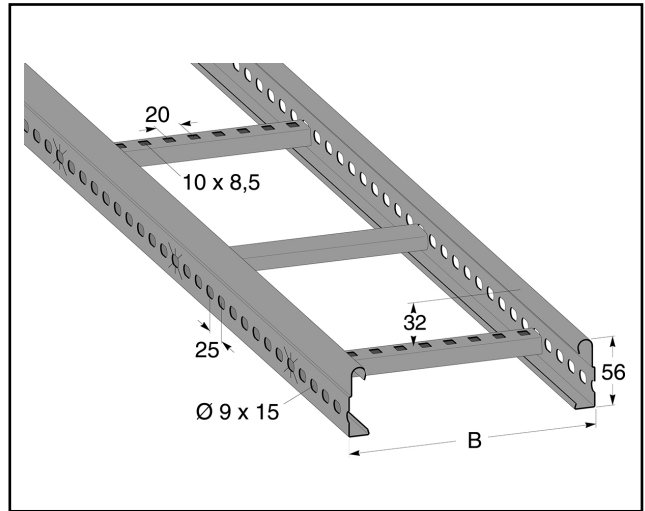
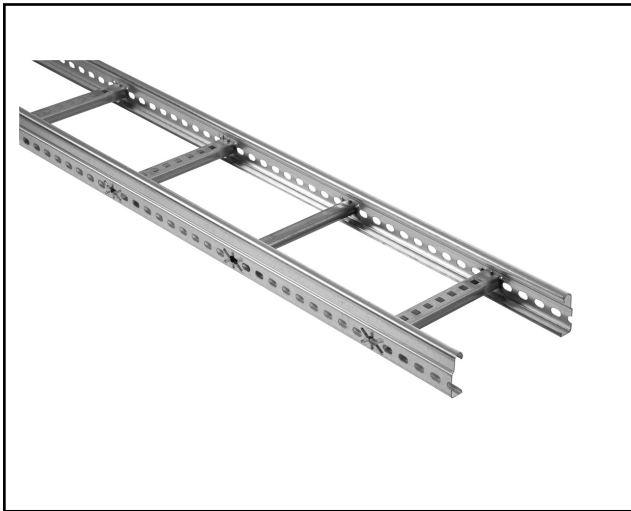


Cable ladder 3 m 500 mm

Meet EL AMA's requirements for heavy cable ladders. Available on request in painted finish. Rung spacing c-c 250 mm. Ultimate failure load: greater than or equal to 1.7 times the maximum load.



| MP-no | GTIN | Dimension (LxBxH) mm | Weight kg | Surface | Max env. class | Pieces/pack. |
|-------|---------------|----------------------|-----------|-------------------------------|----------------|--------------|
| 105S | 7394333000473 | 3000x500x56 | 6.68 | Pre-galvanised sheet metal 20 | C2 | 6 |