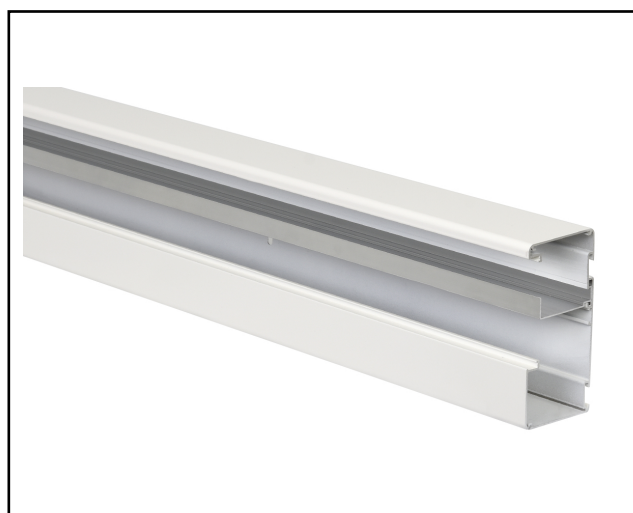
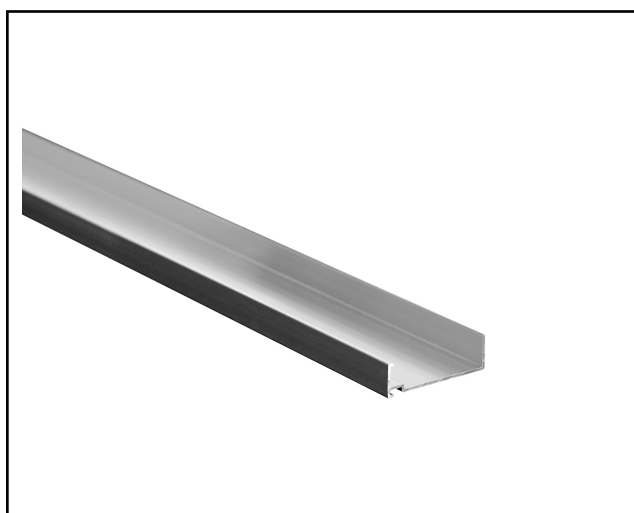


Intermediate shelf 1 m 52x15 mm

Available in two models and used to divide the trunking into sections.



MP-no	GTIN	Dimension (LxBxH) mm	Weight kg	Surface	Max env. class	Pieces/ pack.
TDH1	7394333551234	1000x52x15	0.23	Aluminium	C1	10