

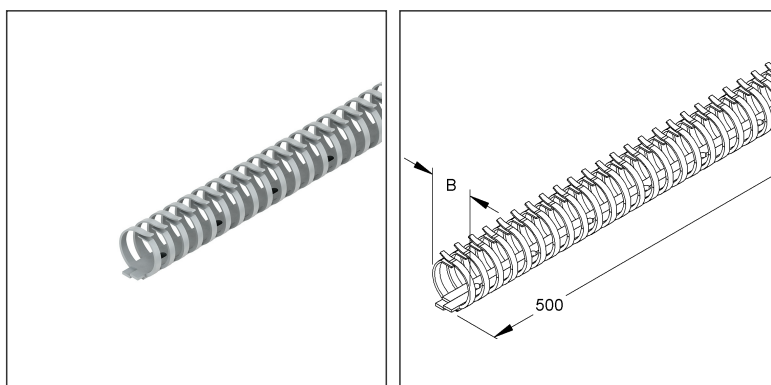
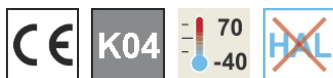
Technical Datasheet

Wiring duct from plastic

with double-sided adhesive tape

VKFL20

EAN Code: 4011126374155



Article Description

Flexible wiring duct, width 20 mm, length 500 mm, plastics PVC-hard, RAL 7035, light grey

Weight

Weight per quantity unit	34 g
Weight in kg per 100	3,4 kg

Physical Article Dimensions

Height	24.50 mm
Depth/length	500 mm
Width	23.60 mm

Additional Price Information

Article group	K639
---------------	------

Technical Datasheet

Wiring duct from plastic

VKFL20

Packing Dimension

1 piece = 1 piece		✓ VP1-smallest packaging unit (PU)			
Lenght	500 mm	Width	24.00 mm	Height	25.00 mm
Gross weight	0,03 kg	Volume	0,000 m ³		
Min. quantity	1	Max. Quantity	1		
60 pieces = 1 carton		✓ VP2-preferred PU			
Gross weight	2,04 kg				
Min. Quantity	60.00	Max. Quantity	60.00		

Tender Text

Flexible wiring duct, with fixing holes and with double-sided adhesive tape on the underside for better fixing, apply adhesive tape to dry and clean surface. Please ensure that you do not touch the adhesive side! The temperature must be higher than 10°C, the connection of two or more wiring ducts is possible by pushing the ends into each other, halogen-free.
Use for : switch cabinets, switch panels, ...
Dimensions (approx. dimension) :
Duct inner Ø : 20 mm
Base perforation : 4.5 x 8 mm
Base hole spacing : 49.5 mm
Delivery length L : 500 mm
Usable cross-section : 314 mm²
Application temperature range : -40° to 70°C
Material : Polypropylene (PP)
Colour : light grey RAL: 7035 (similar)
Kleinhuis Model no. : VKFL20
EP Material _____ EP Wage _____
Unit price/piece

Safety & Environment

REACH Date	10.06.2022
REACH Info	Conformable
RoHS Info	Conformable

Origin & International Trade

Country of origin	FR
Customs tariff number	39259020