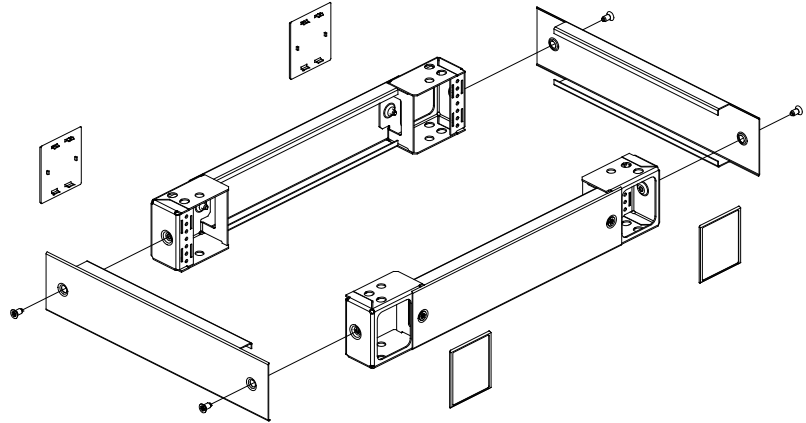
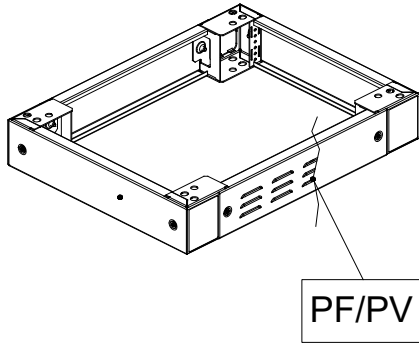
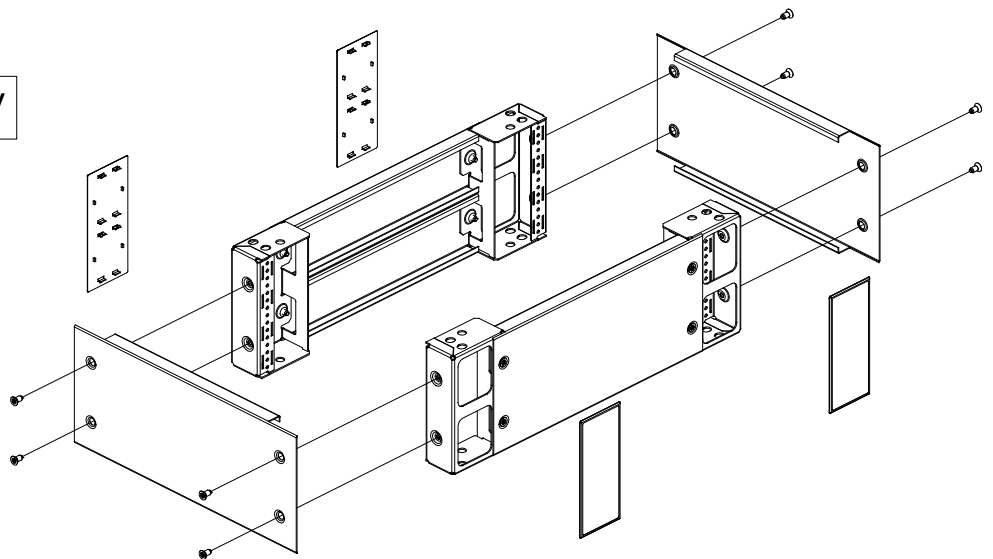
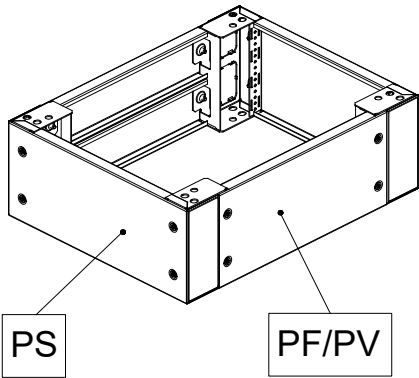


PF/PV/PS

PF/PV/PS 100



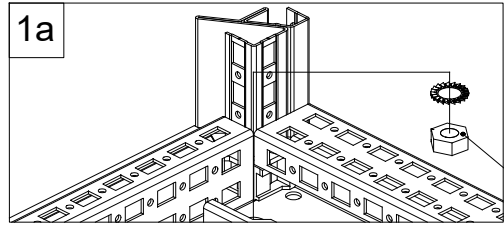
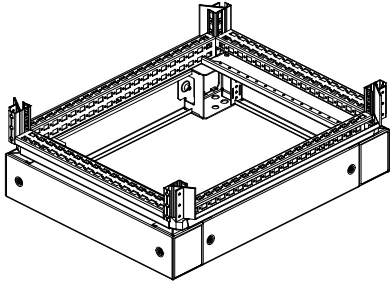
PF/PV/PS 200



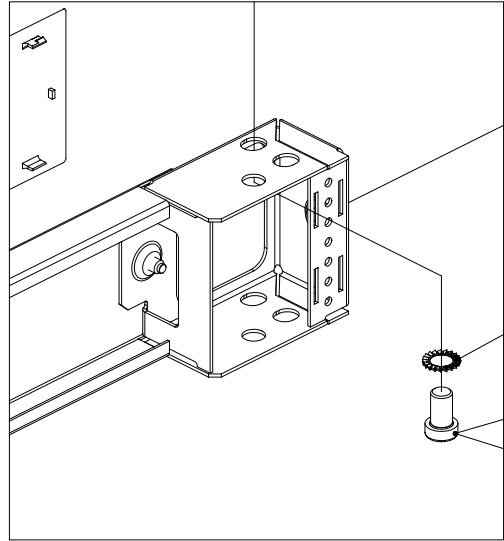


PF/PV/PS

Ref.	Pic.	Qty.
A		4
B		4/8
C		4
D		8



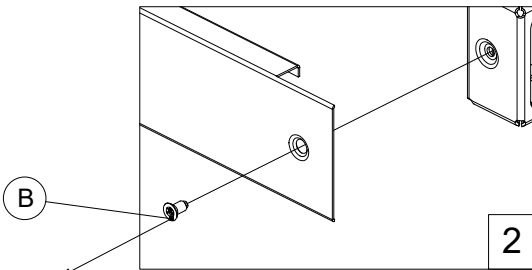
C



D

A

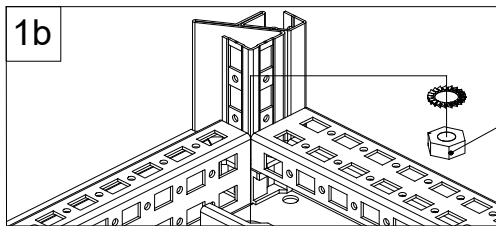
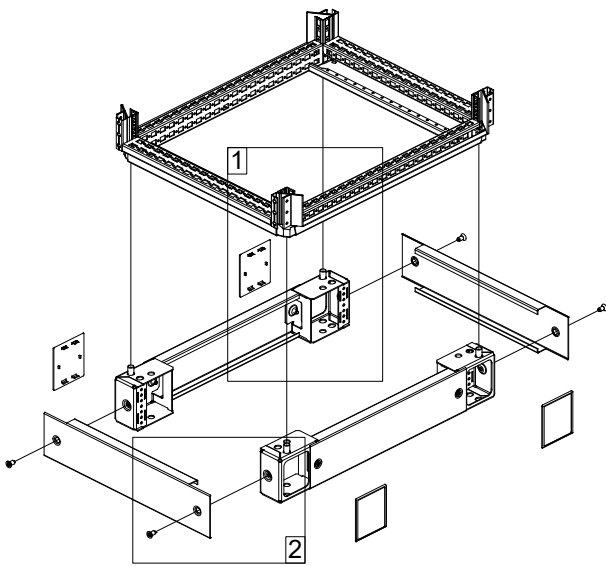
Torque
15-20 Nm



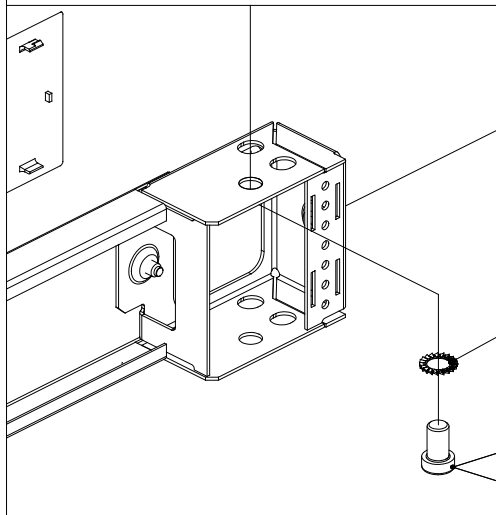
B

Torque
10-15 Nm

2



C



D

A

Torque
15-20 Nm