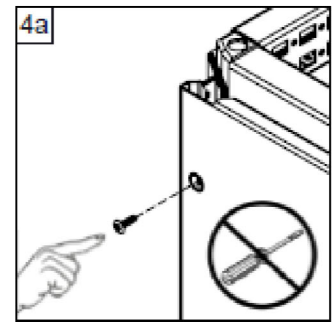
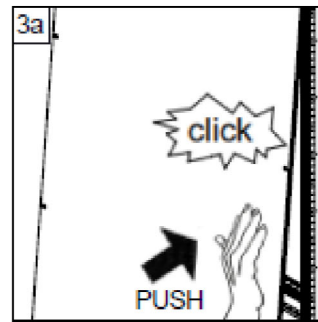
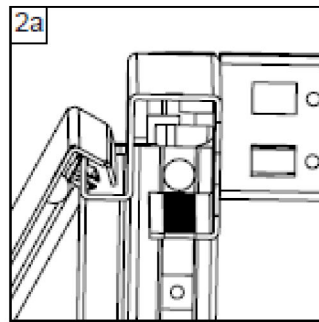
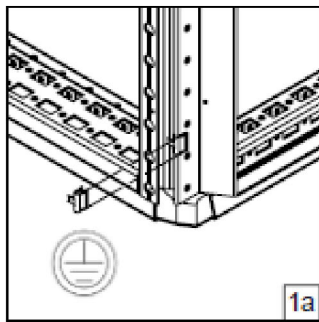
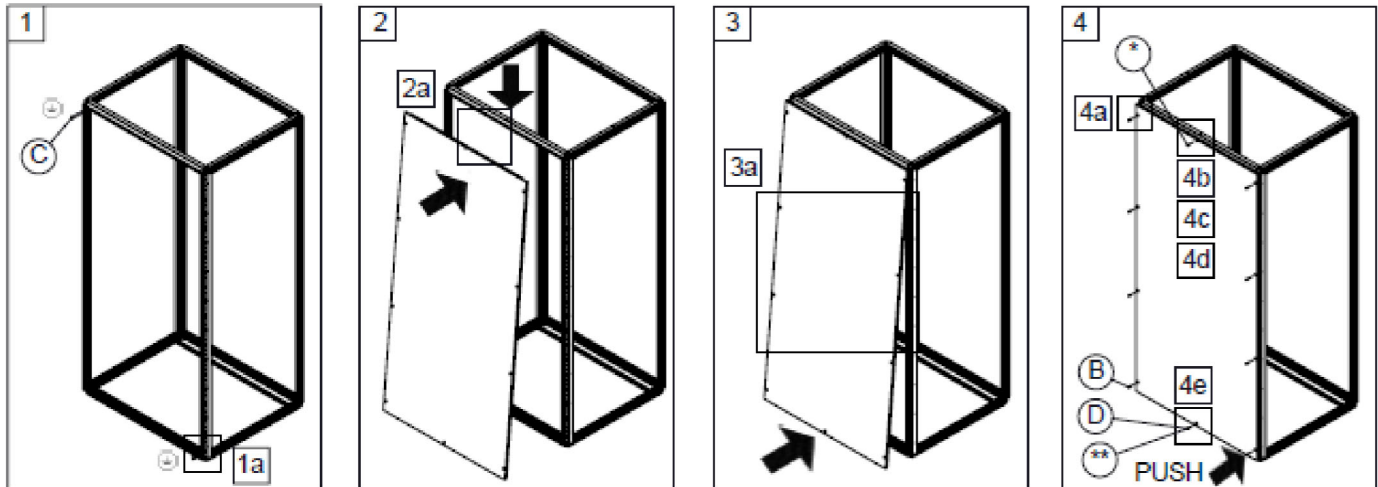


# SPM



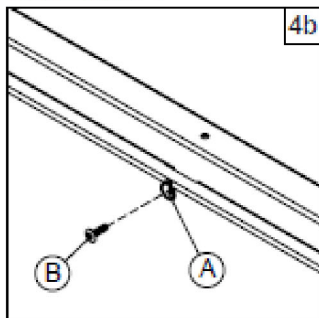
Ref.	Pic.	Qty.
A		6/8/9
B	$\varnothing 4 \times 14$	6/8/9
C		2
D	M6x12	1
E		1
F	M6x16	1
G	M6	

## Side panel mounting

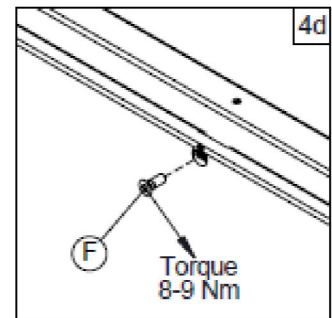
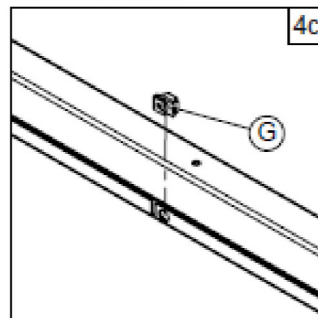


\* Top middle fixation (for 900 mm depth and above)

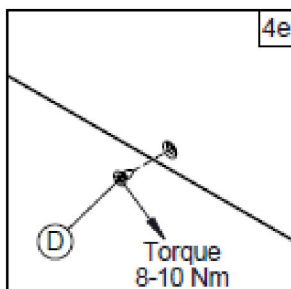
Alternative 1



Alternative 2



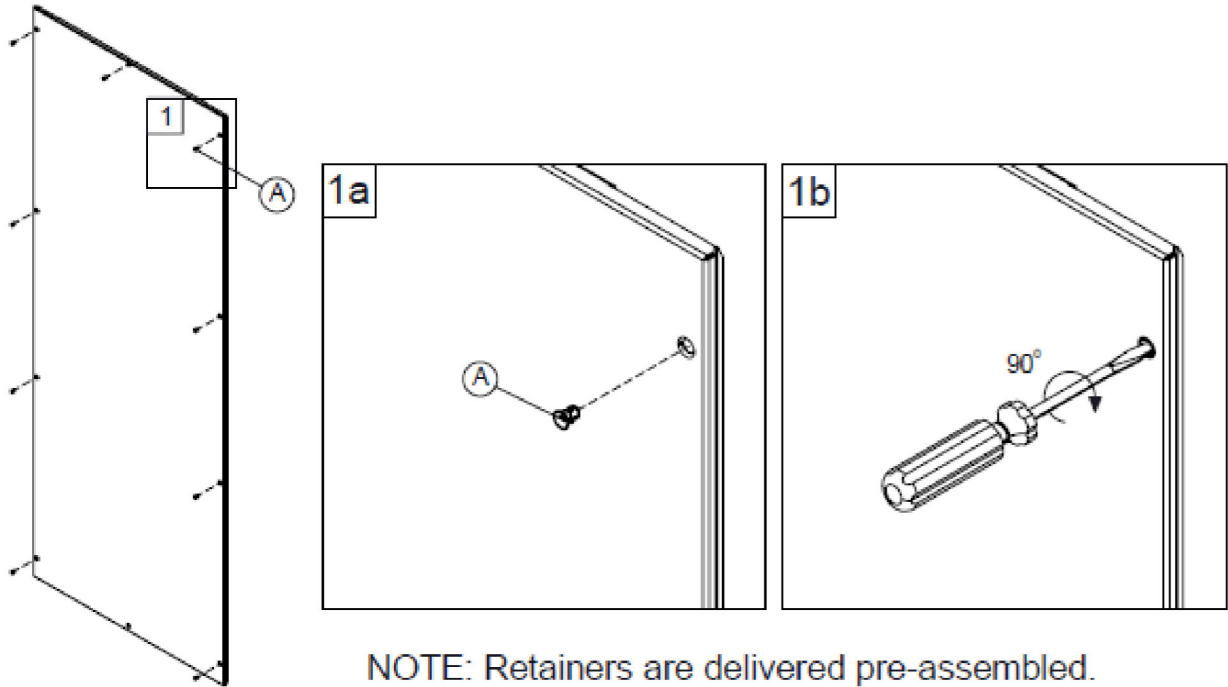
\*\* Bottom middle fixation (for 900 mm depth and above)





# SPM

## Retainer mounting



NOTE: For the old design frame (from 700 mm till 800 mm depth), the following additional steps are required:

