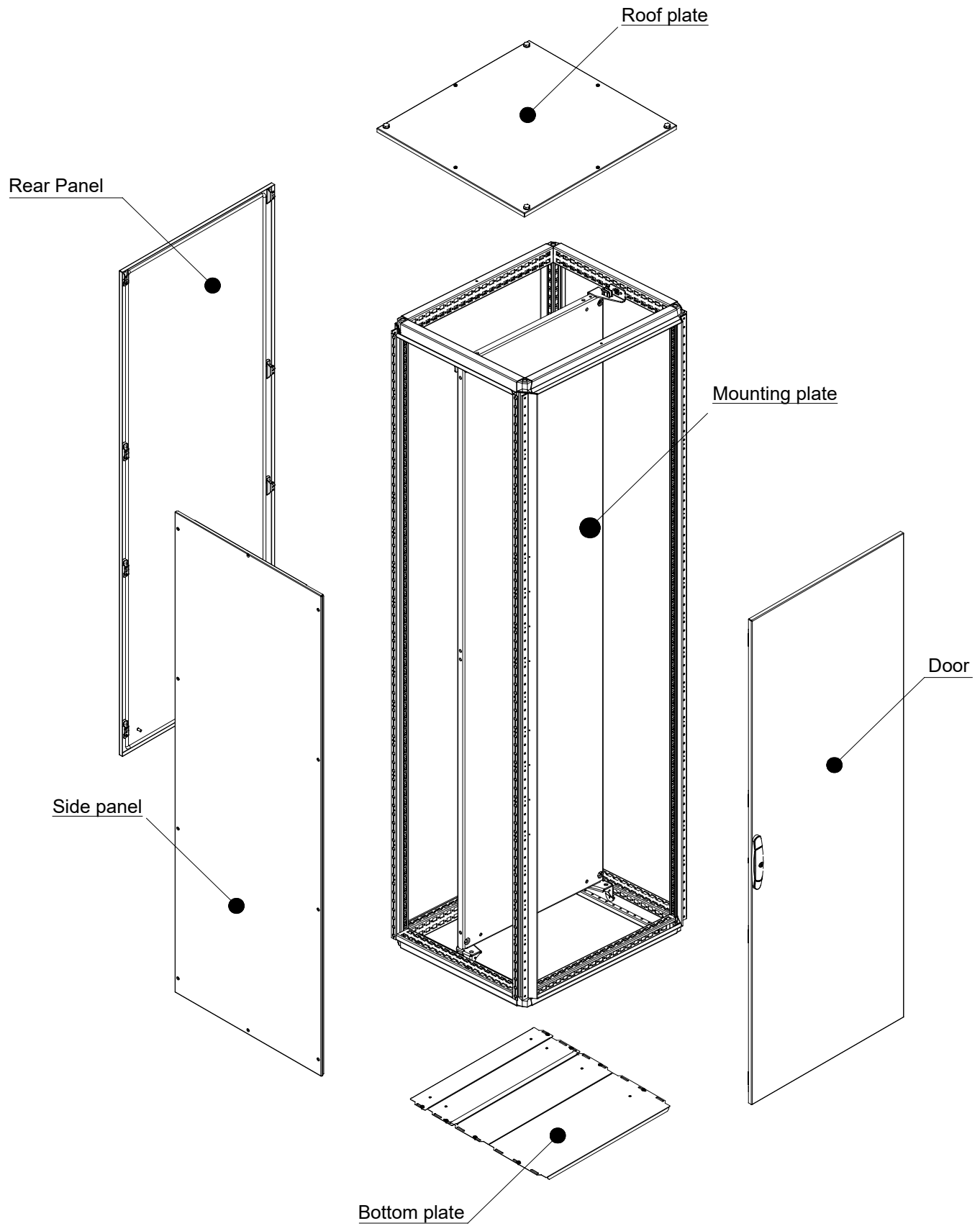


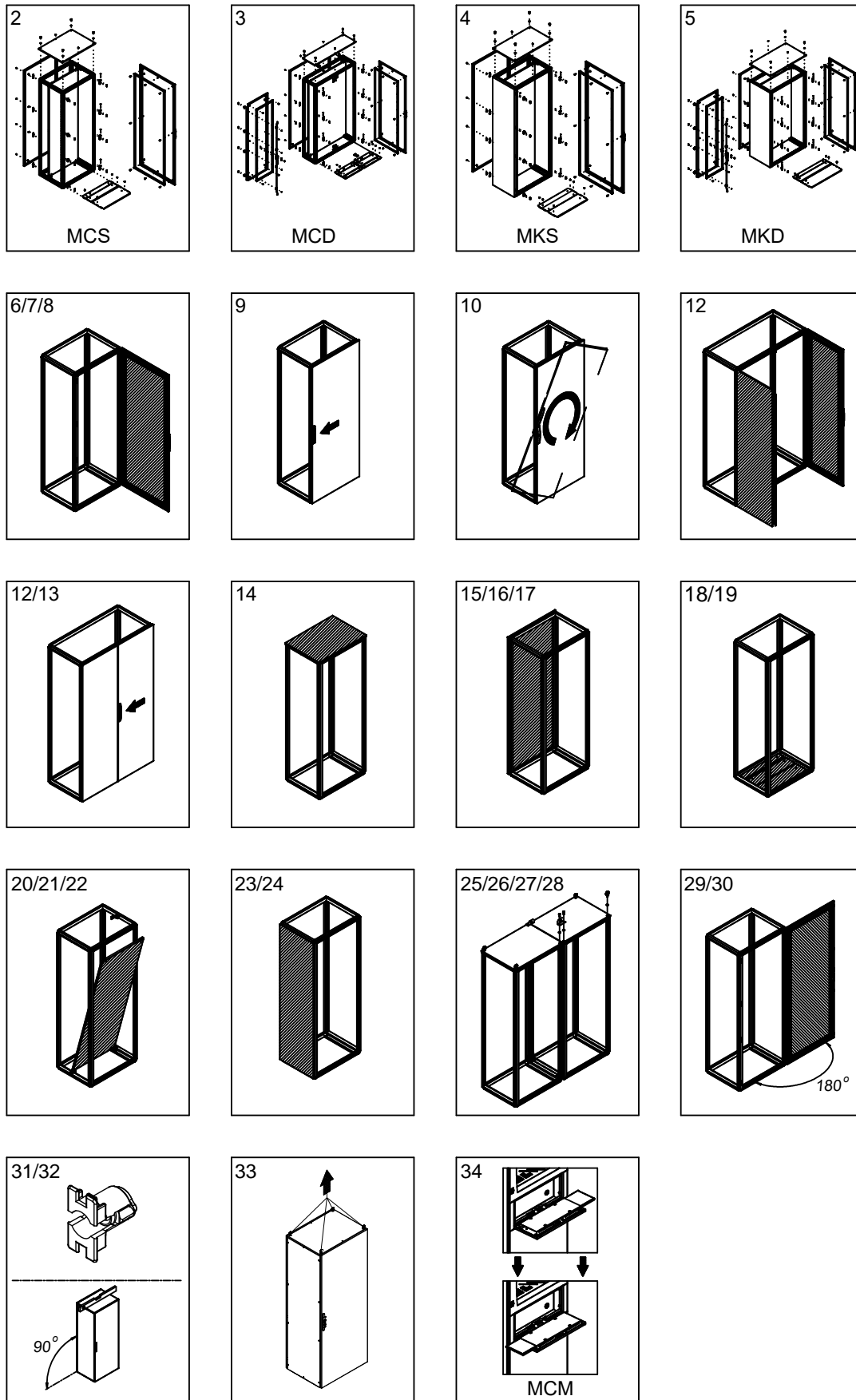
# Floor standing enclosures Combinable and compact version

## MOUNTING INSTRUCTIONS

7697-0262-01 REV.21



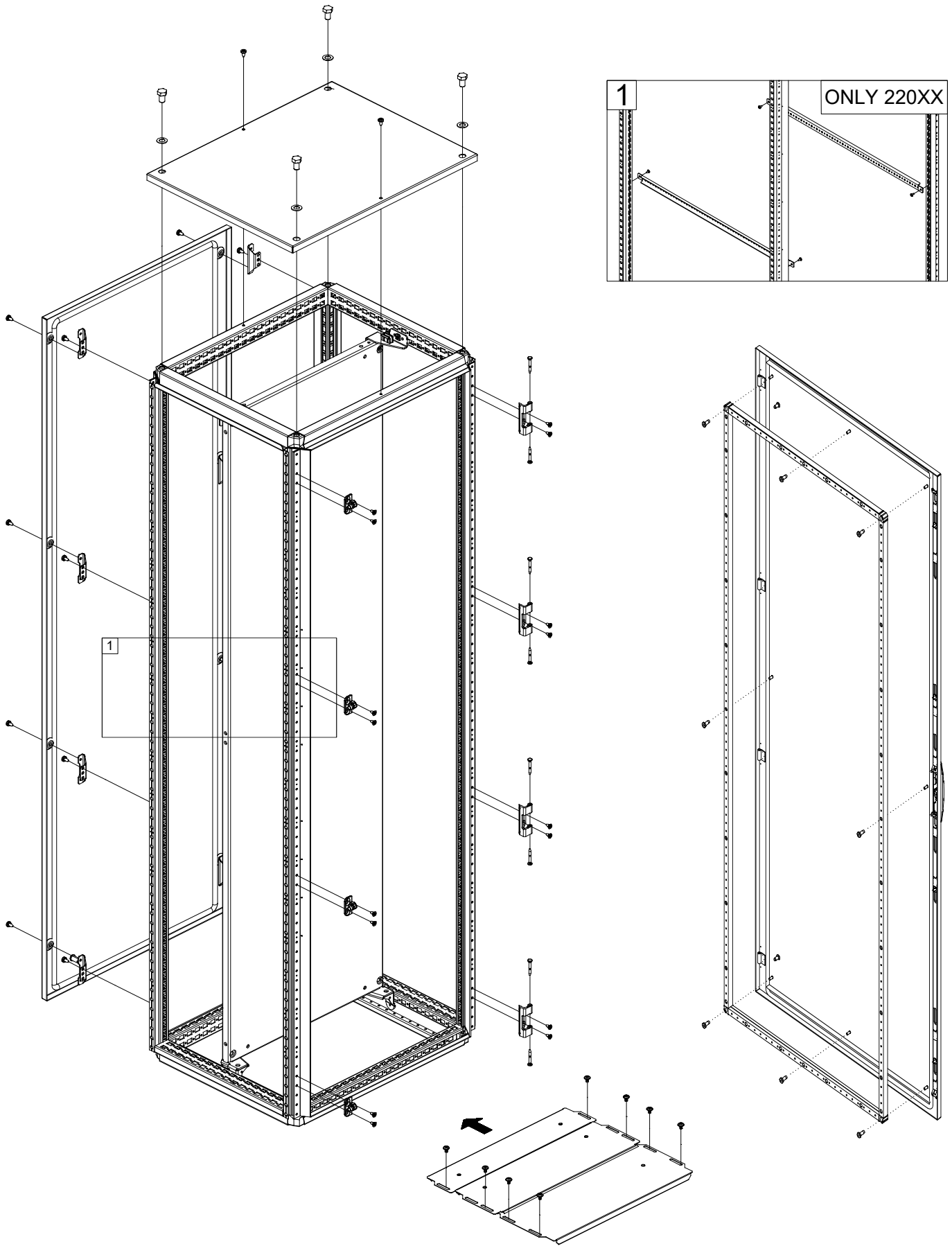




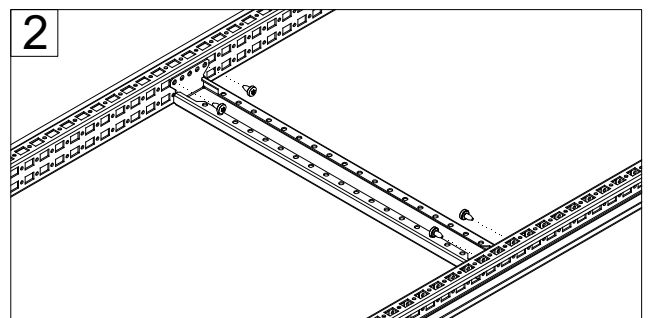
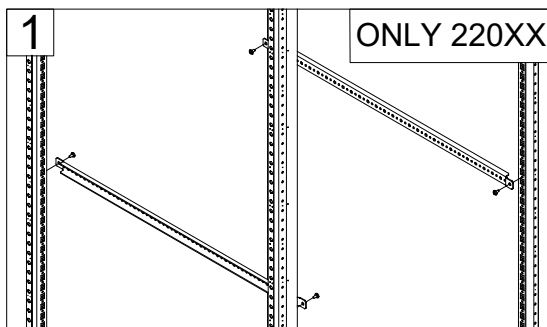
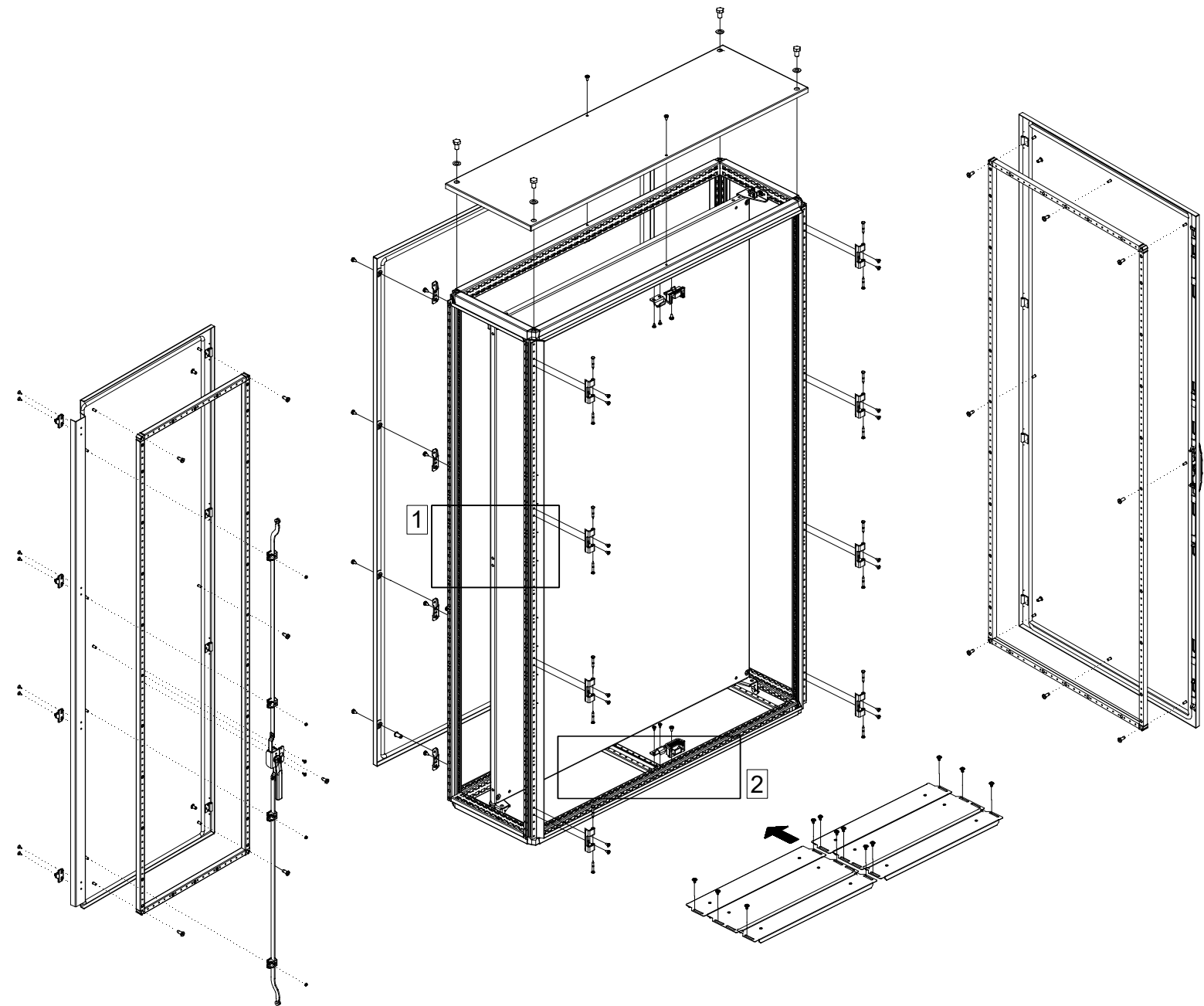
**WARNING:** When mounting on or over a combustible surface, a floor plate of at least 1.43 mm galvanized or 1.6 mm uncoated steel extended at least 150 mm beyond the equipment on all sides must be installed.

**WARNING:** In order to maintain the environmental integrity of the enclosure, devices with the same environmental ratings shall be used to close openings in customized enclosure.

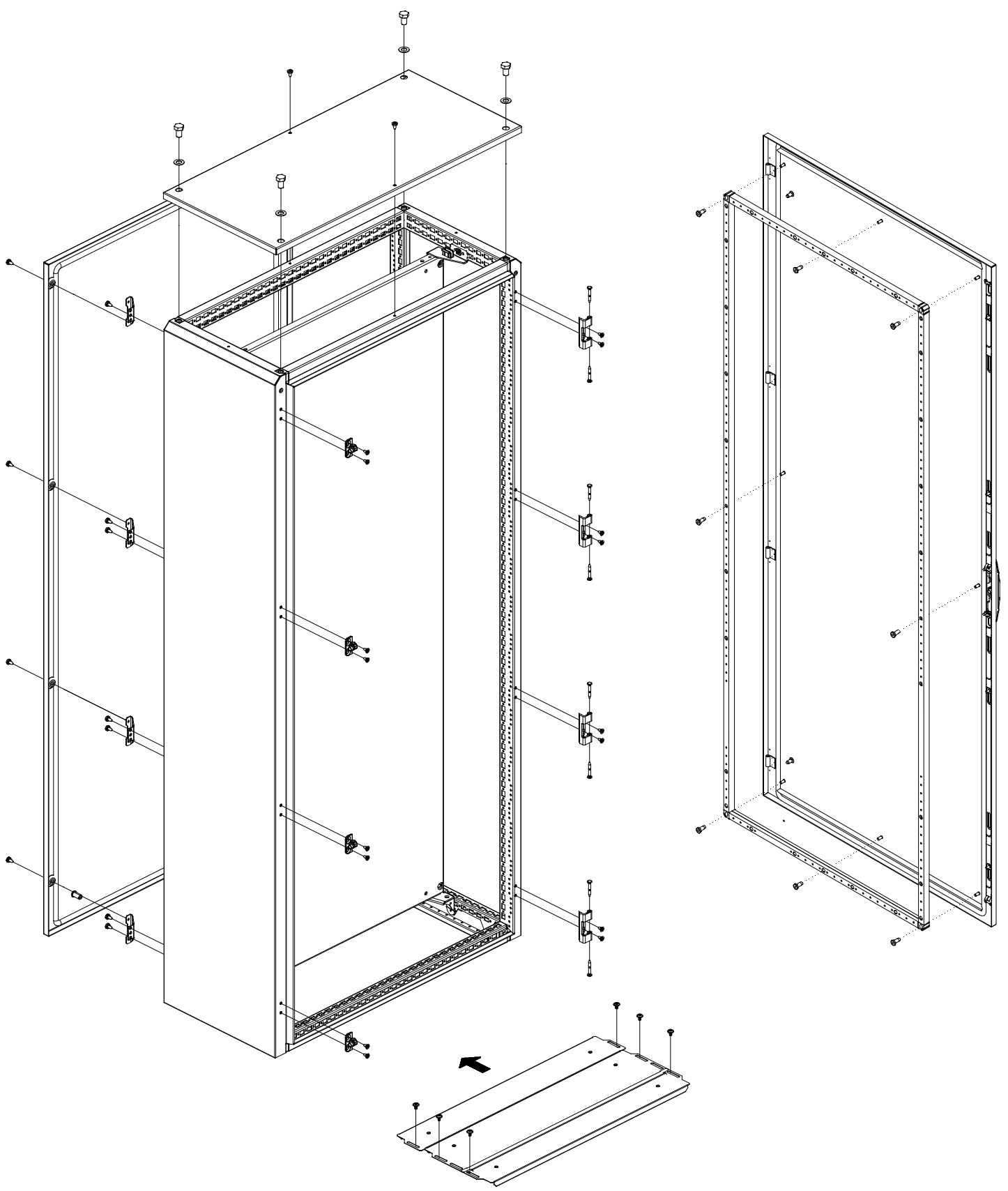
# MCS



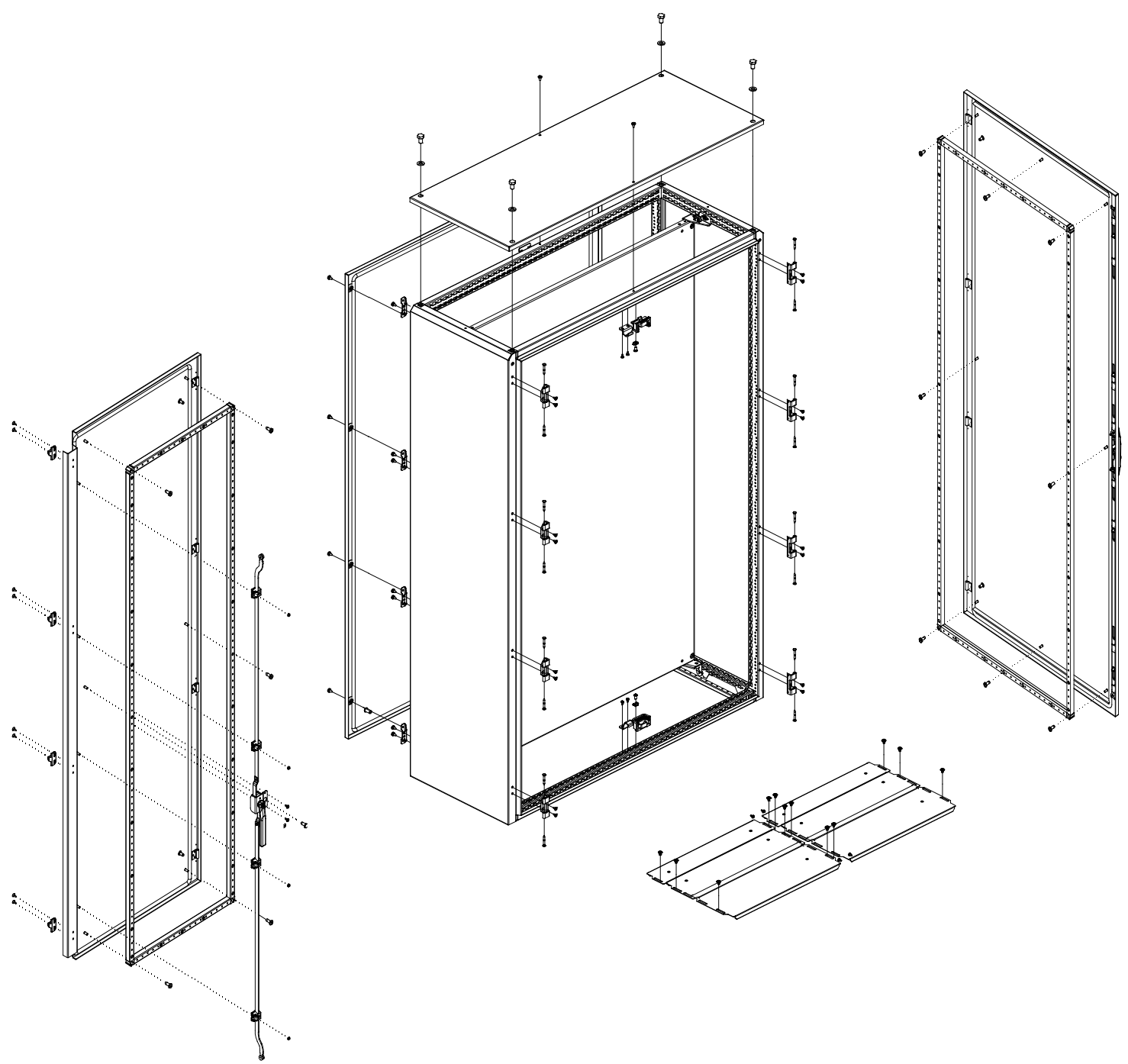
# MCD



# MKS

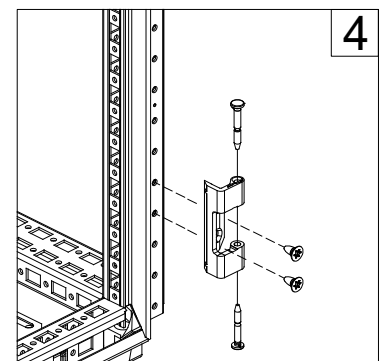
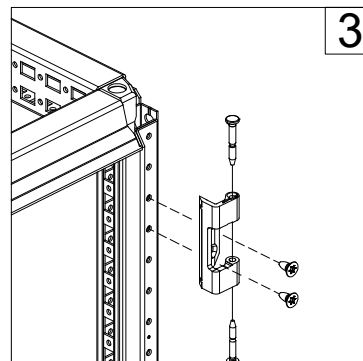
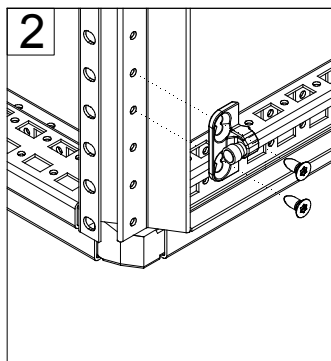
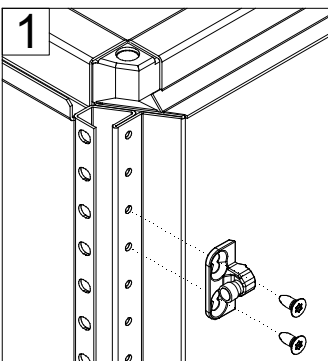
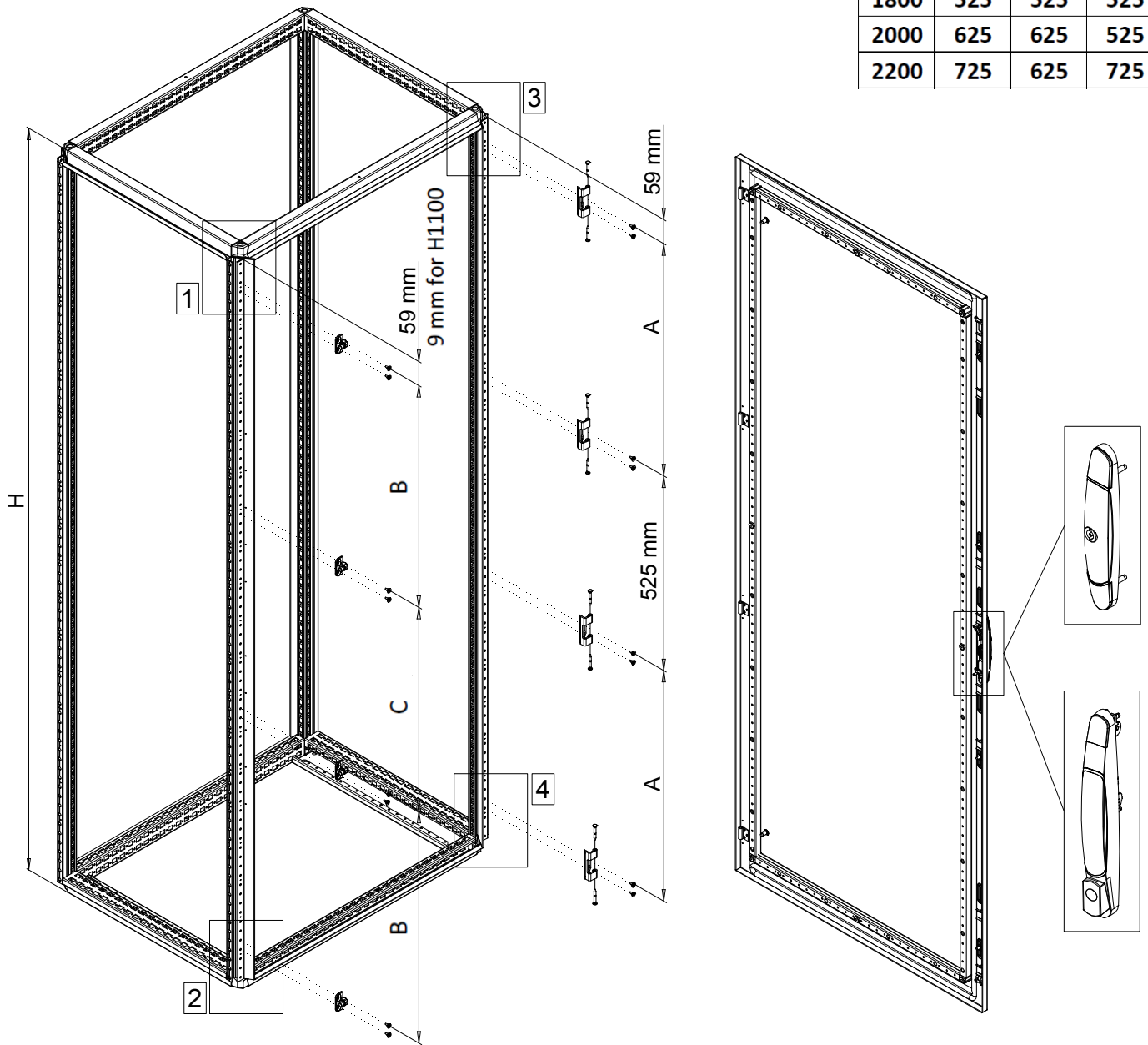


# MKD



# COMBINABLE ENCLOSURE

H	A	B	C
1100	175	275	425
1400	325	325	525
1600	425	425	525
1800	525	525	525
2000	625	625	525
2200	725	625	725





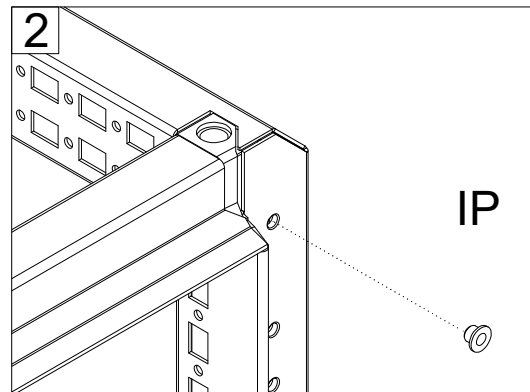
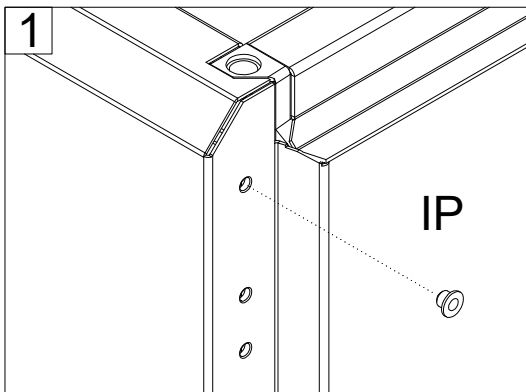
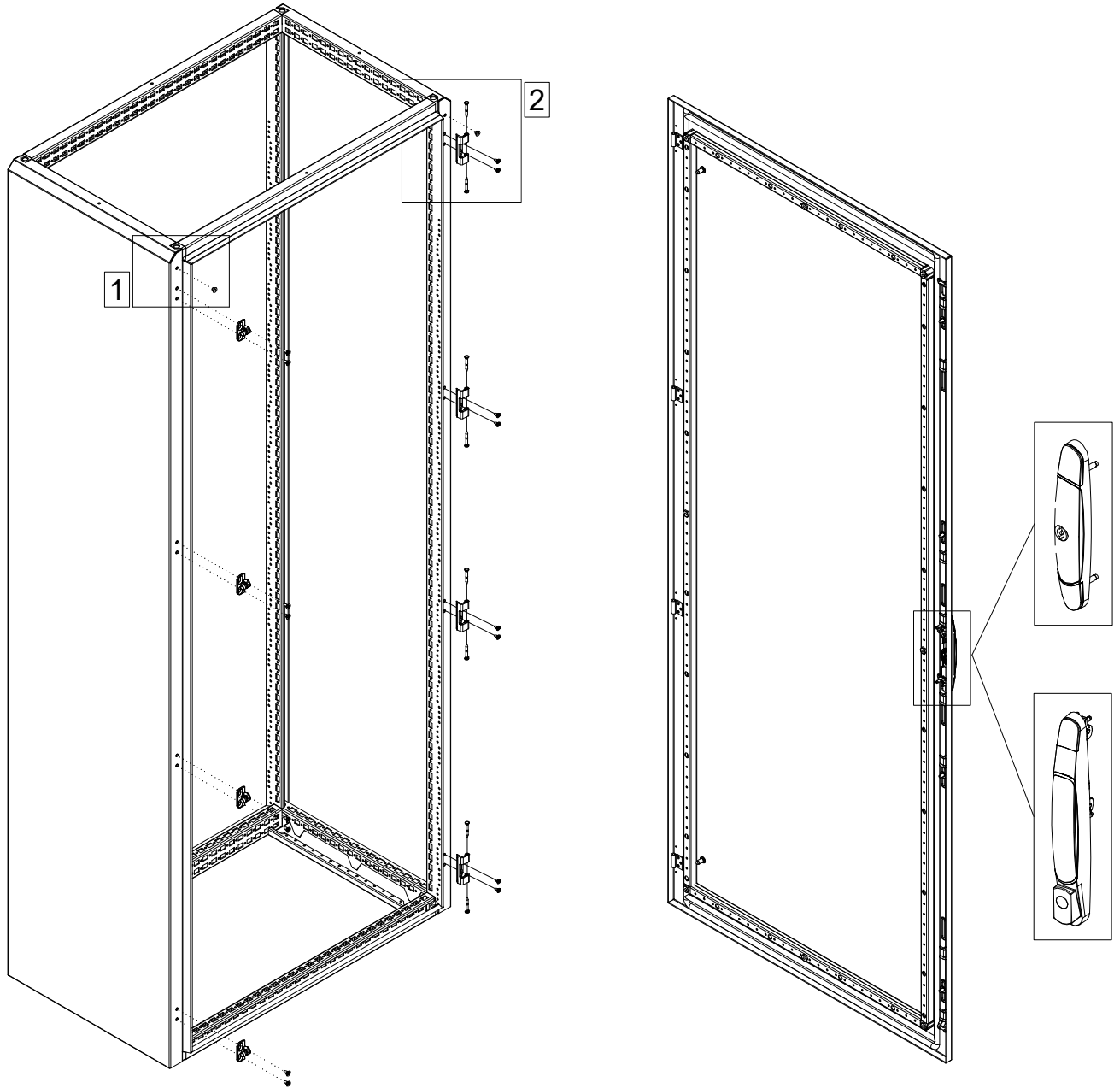


T30



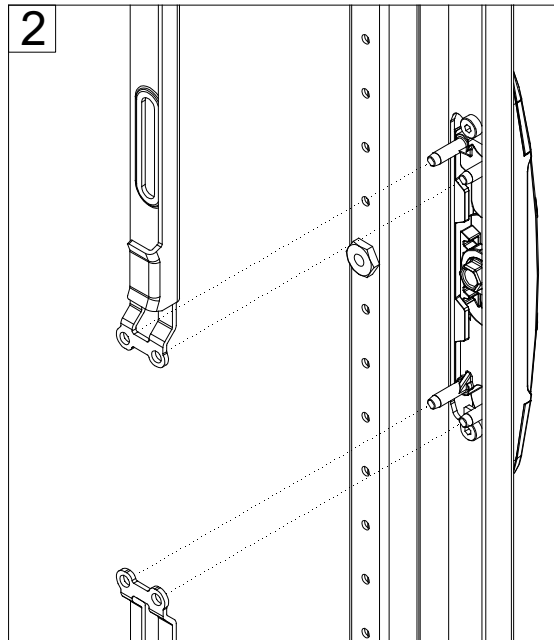
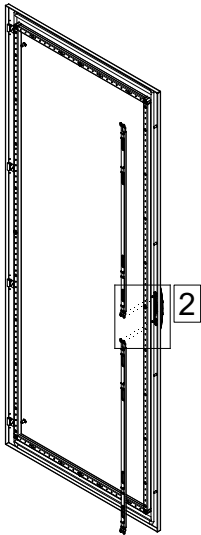
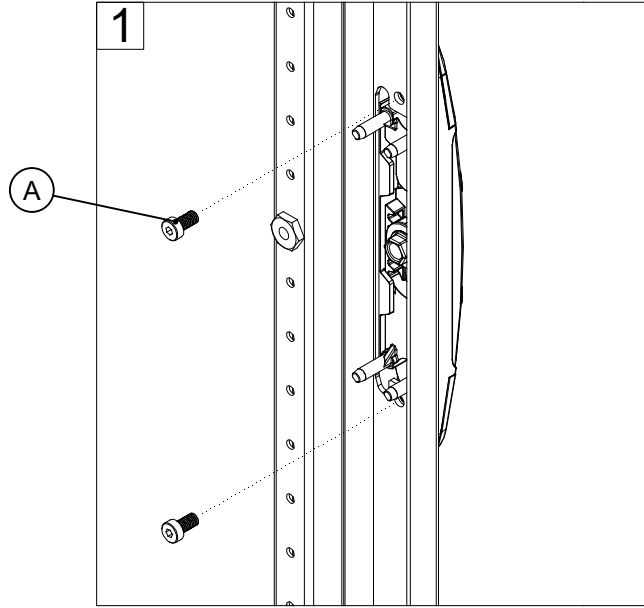
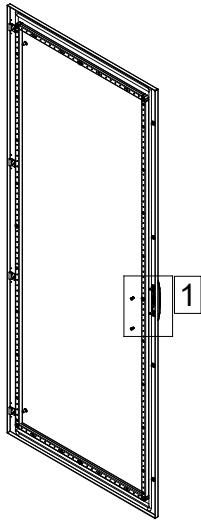
SW13

# COMPACT ENCLOSURE

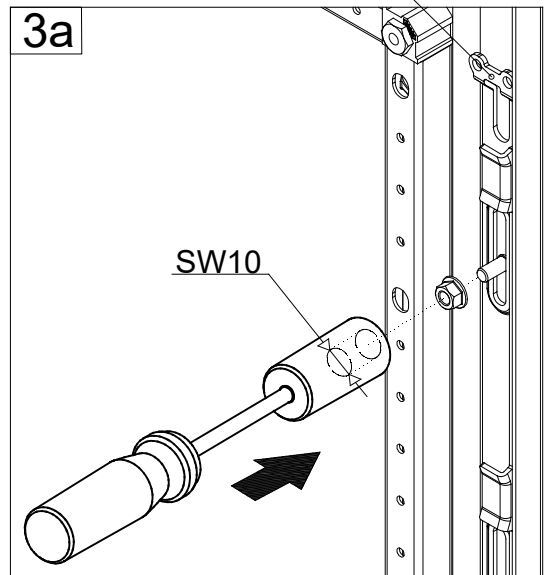
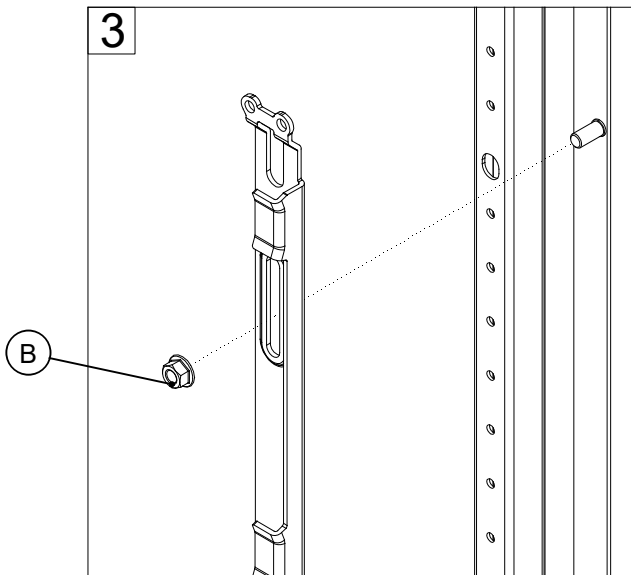
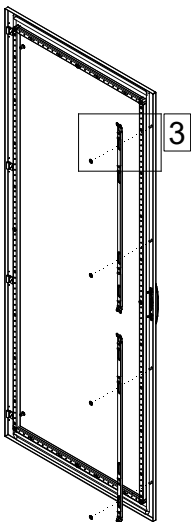




Ref.	Pic.	Qty.
A	M5x10	2
B	M5	4

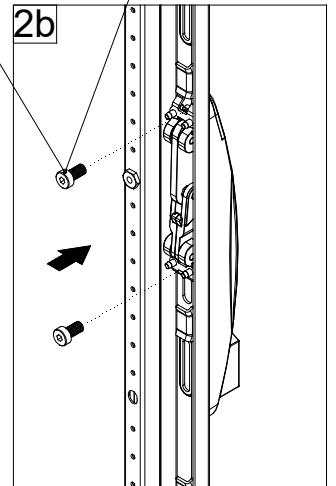
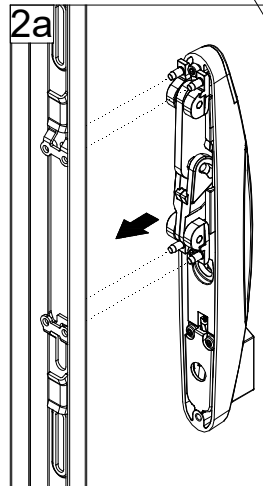
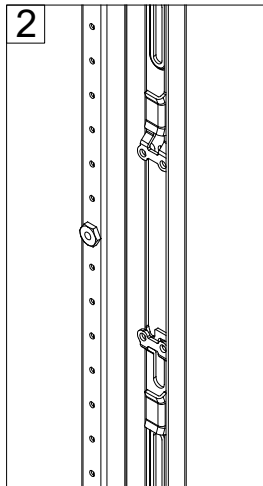
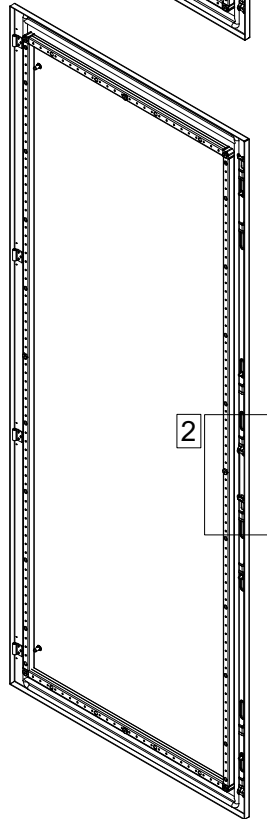
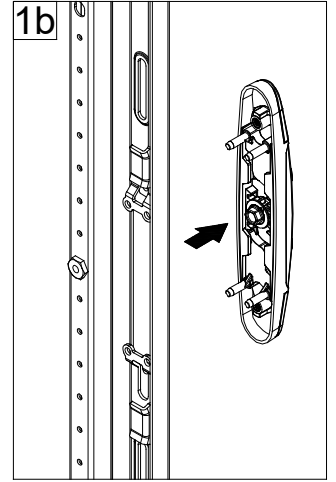
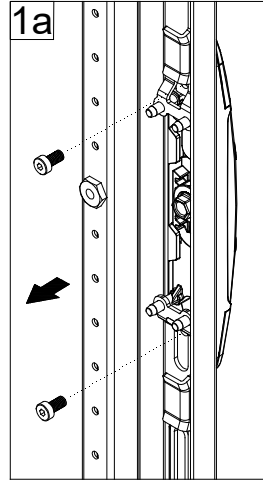
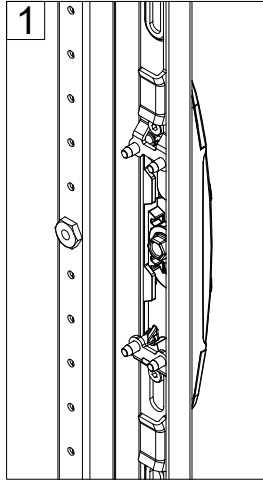
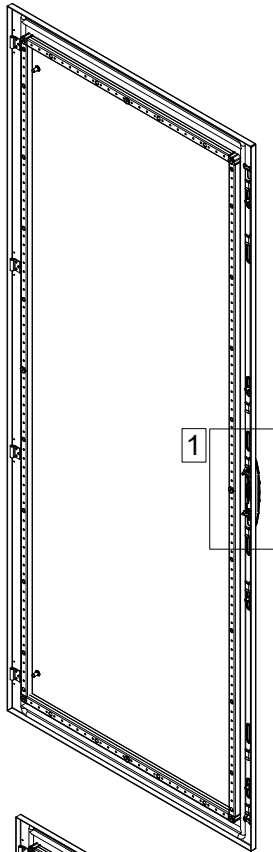


Metal Guider





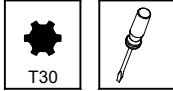
# MOUNTING THE LIFT HANDLE



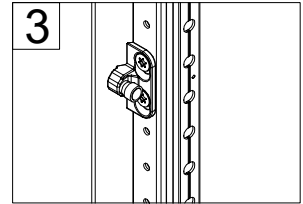
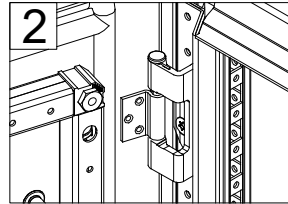
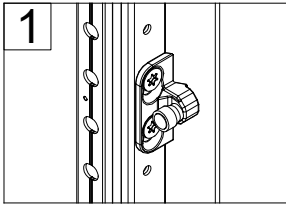
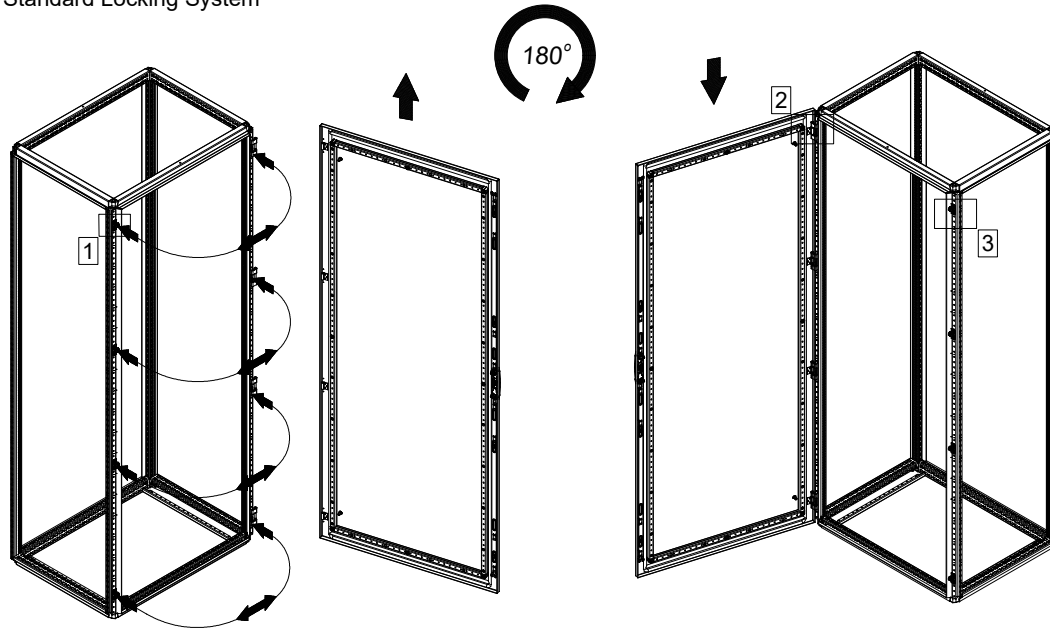
Torque  
4-5.5 Nm

A

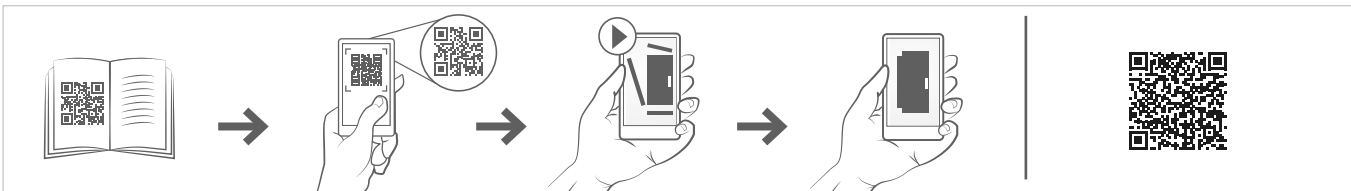
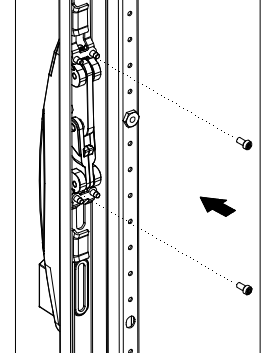
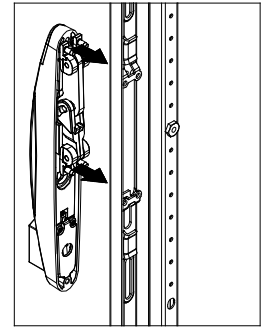
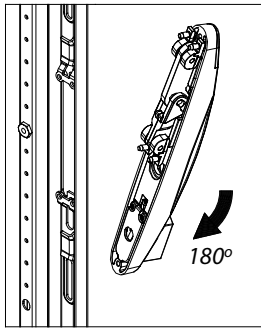
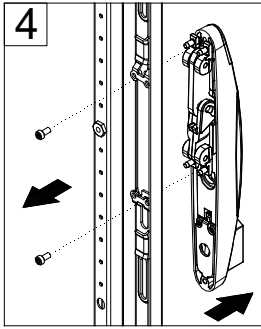
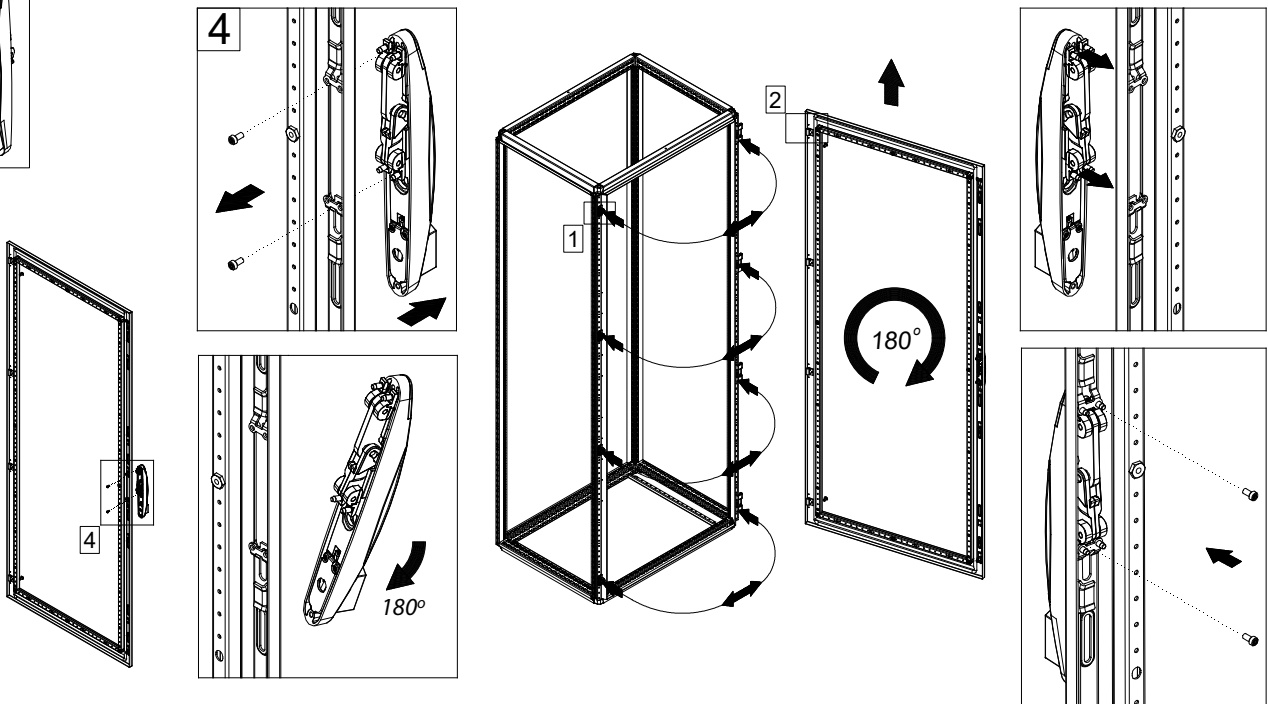
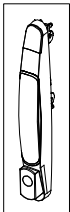




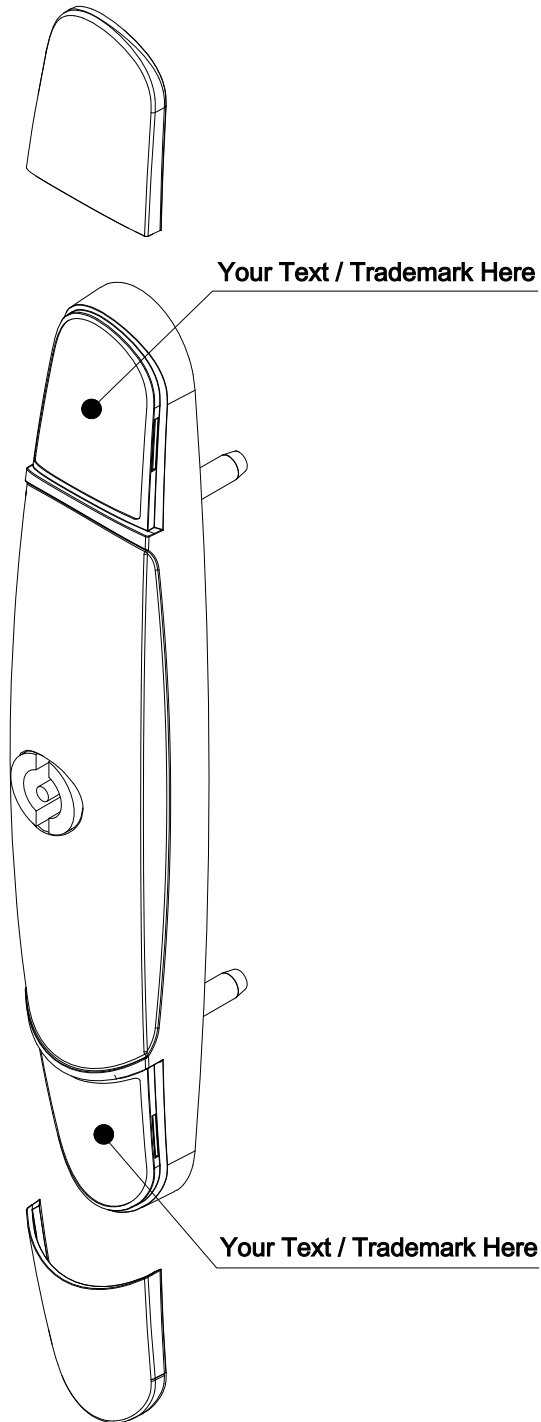
Standard Locking System



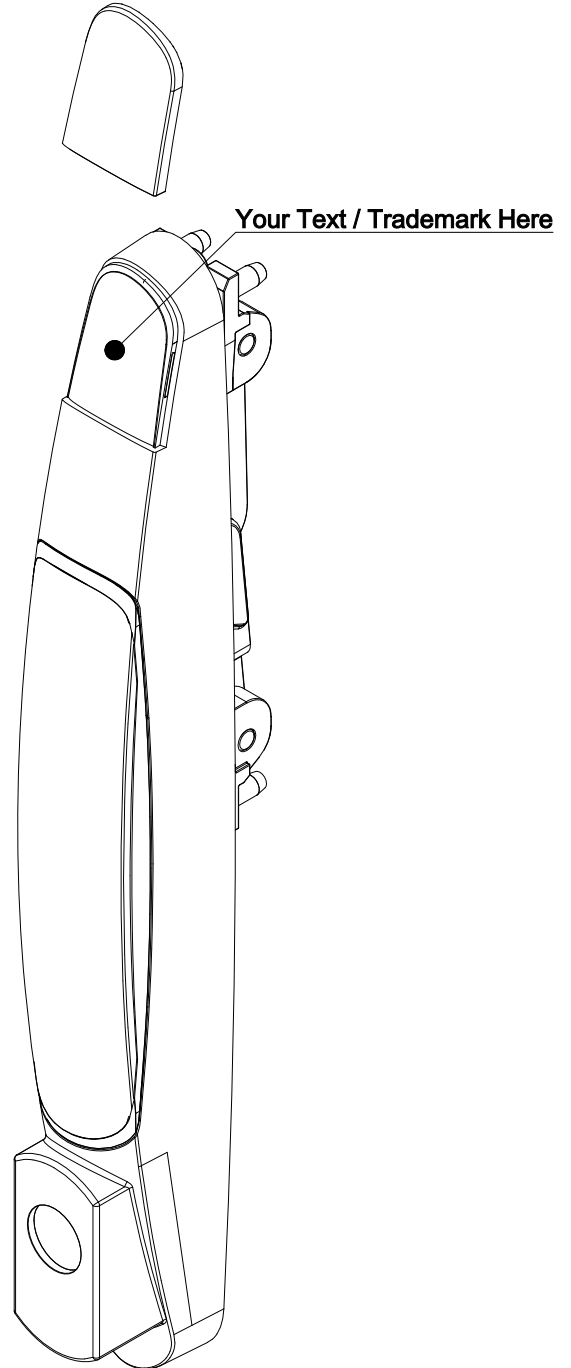
Lift Handle Locking System



### Standard Locking System



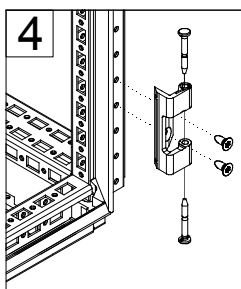
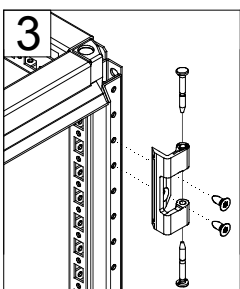
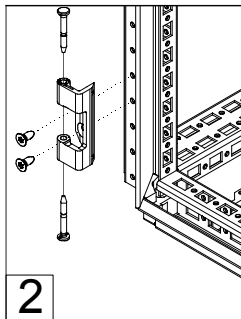
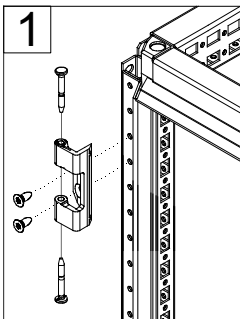
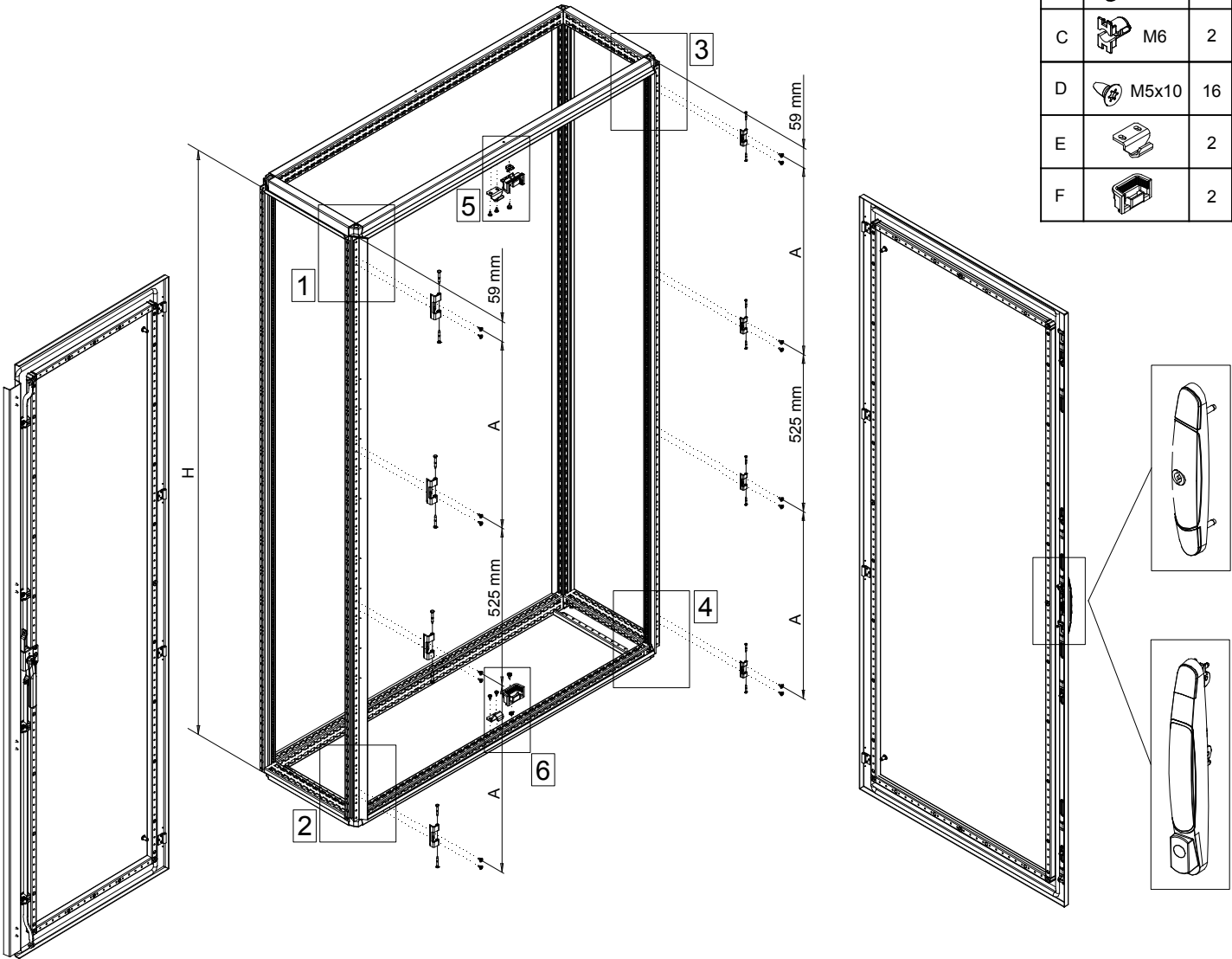
### Lift Handle Locking System



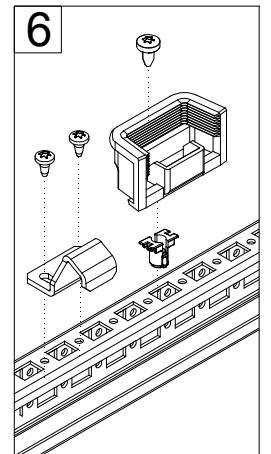
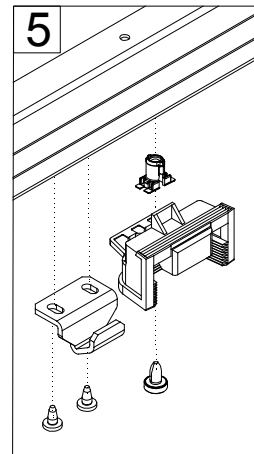
**NOTE: transparent covers are ordered separately**



Ref.	Pic.	
A		8
B		2
C		2
D		16
E		2
F		2



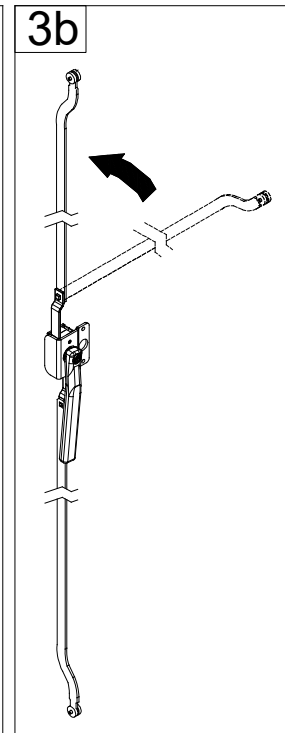
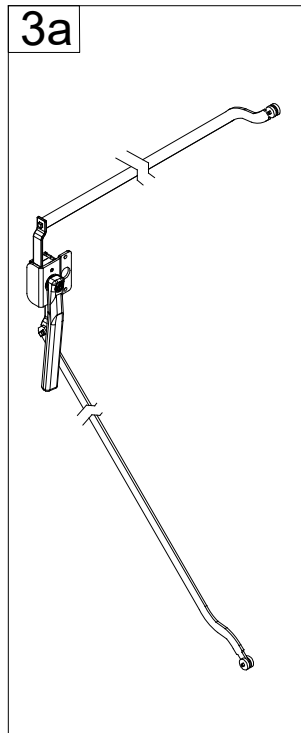
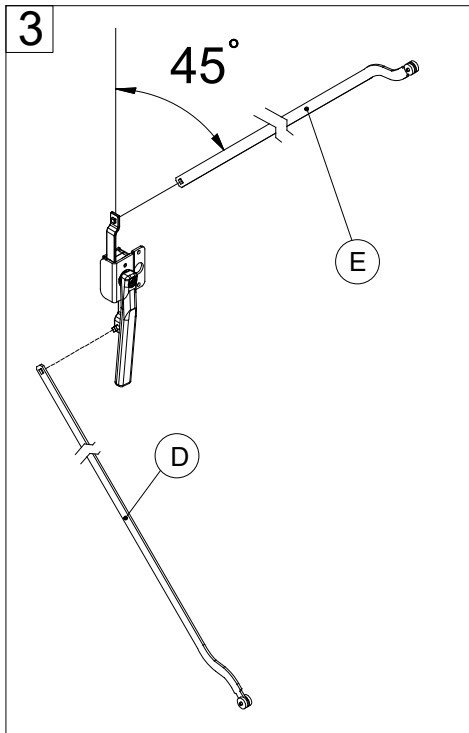
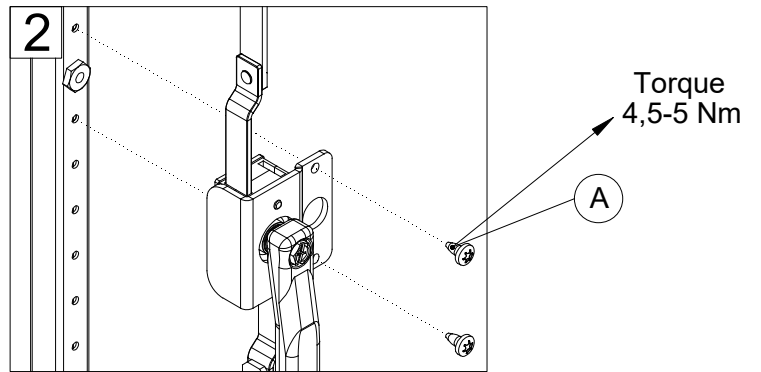
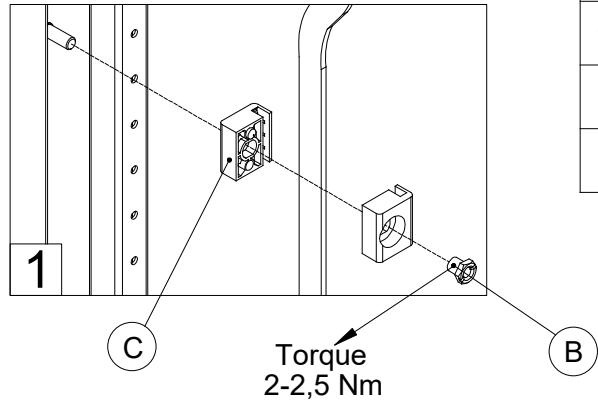
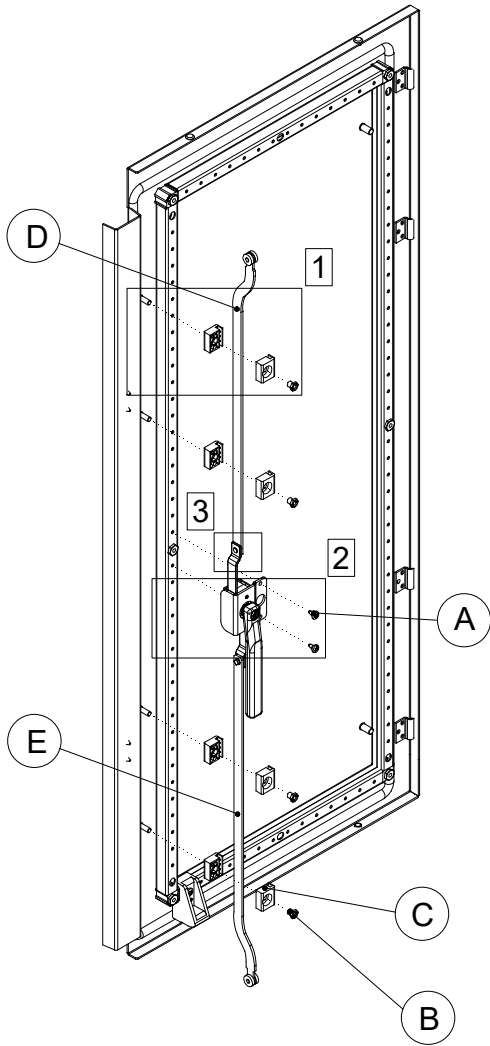
H	A
1100	175
1400	325
1600	425
1800	525
2000	625
2200	725





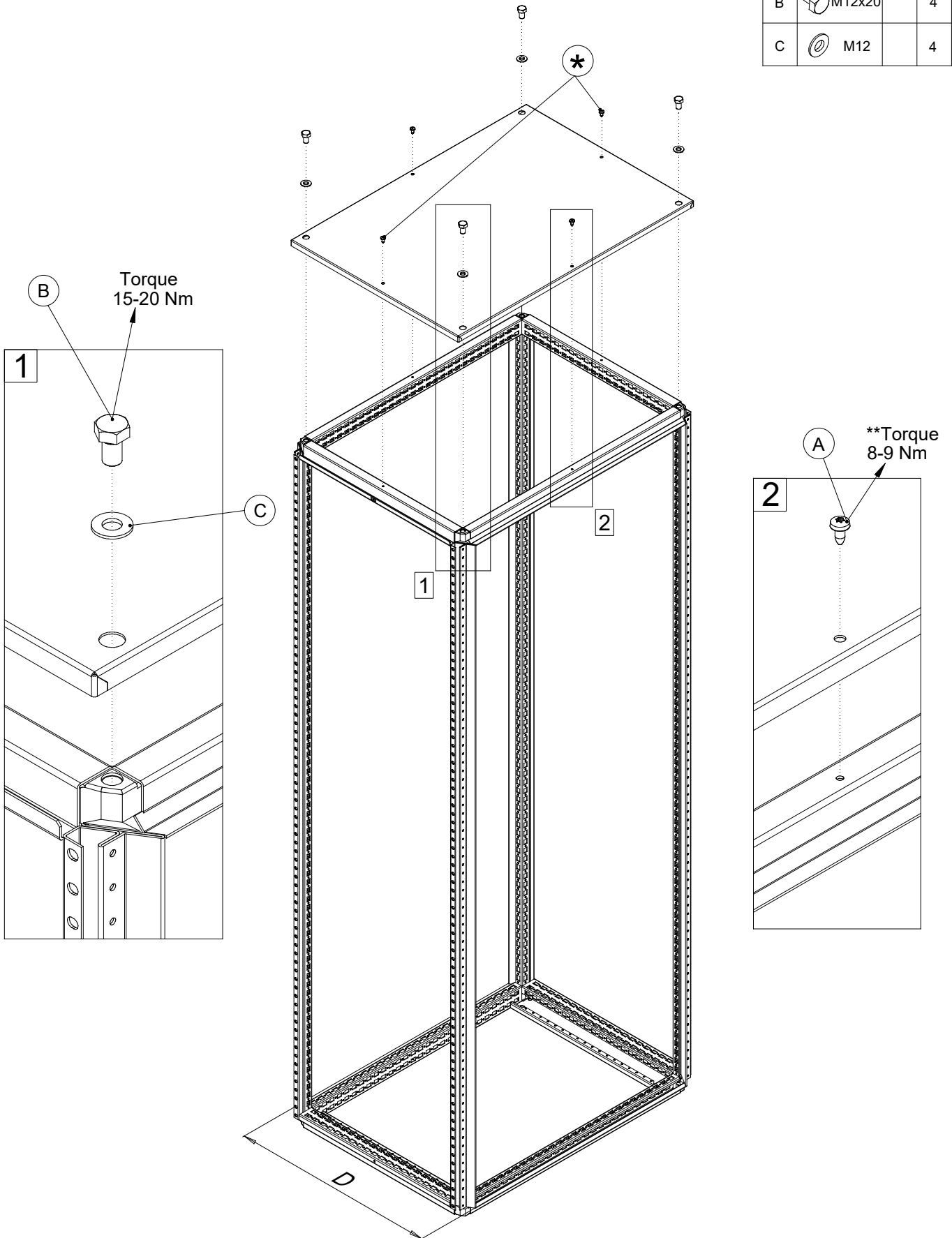
# MOUNTING LSEL

Ref.	Pic.	Qty.
A		6
B		4
C		8
D		1
E		1





Ref.	Pic.	D (mm)	<800	≥800
A	M6x12		2	4
B	M12x20		4	4
C	M12		4	4



\* - Used on enclosures 800mm deep and above.

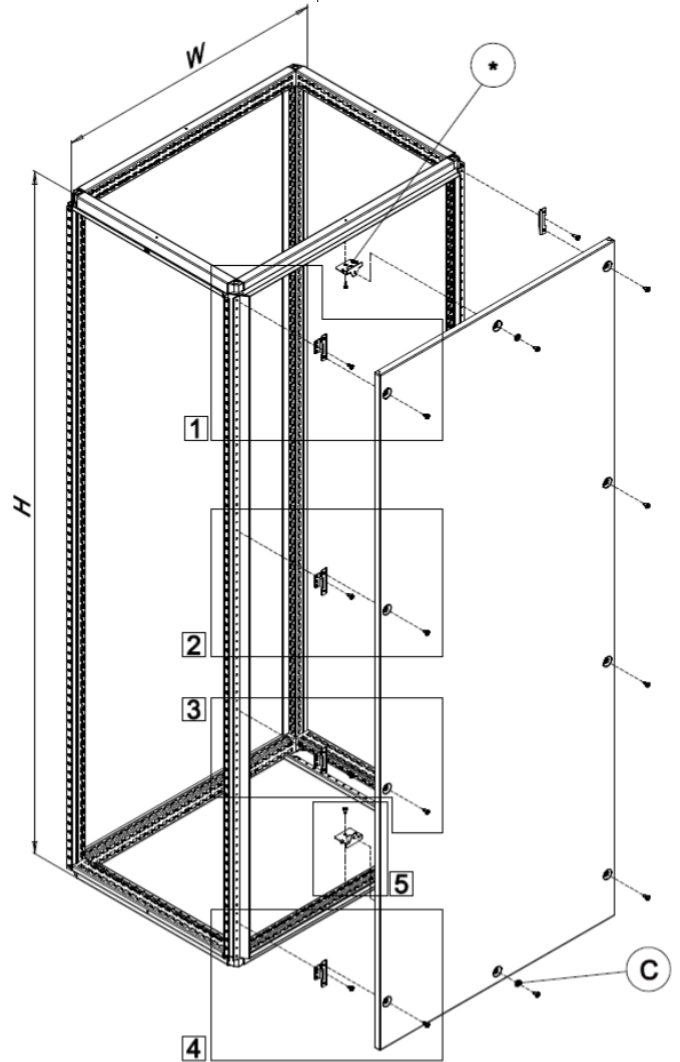
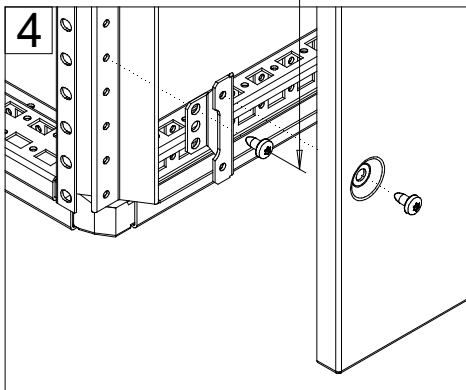
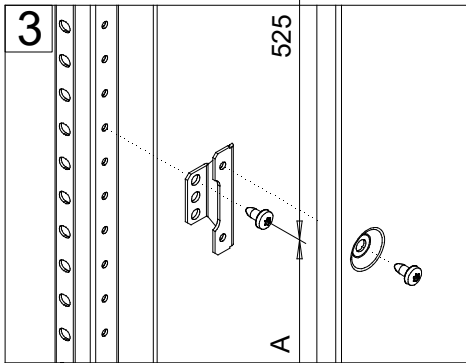
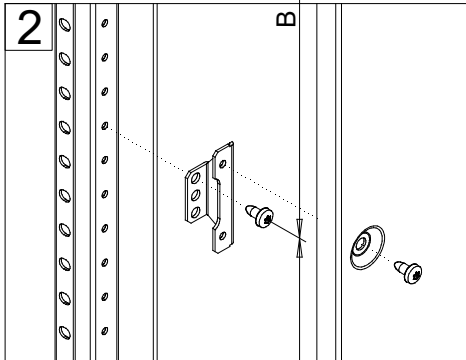
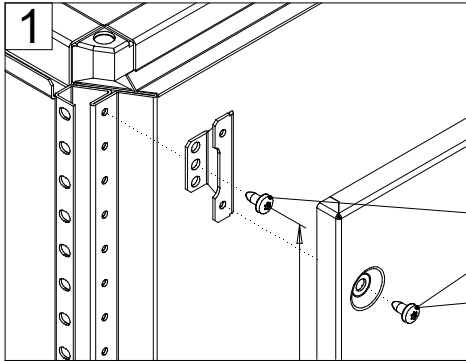
\*\* - Torque value for first tightening. For following tightening, torque value recommended is 4-5 Nm.



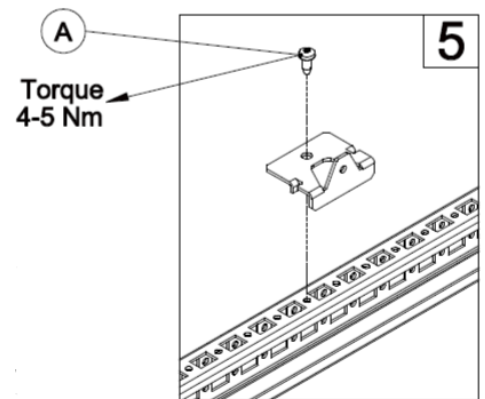
# MCS BACK PANEL



Ref.	Pic.	W (mm)	<1000	≥1000
A		M5x10	-	2
B		M6x12	16	18
C		M6	-	2



H	A	B
1100	-	350
1400	325	375
1600	425	475
1800	525	575
2000	625	675
2200	725	775

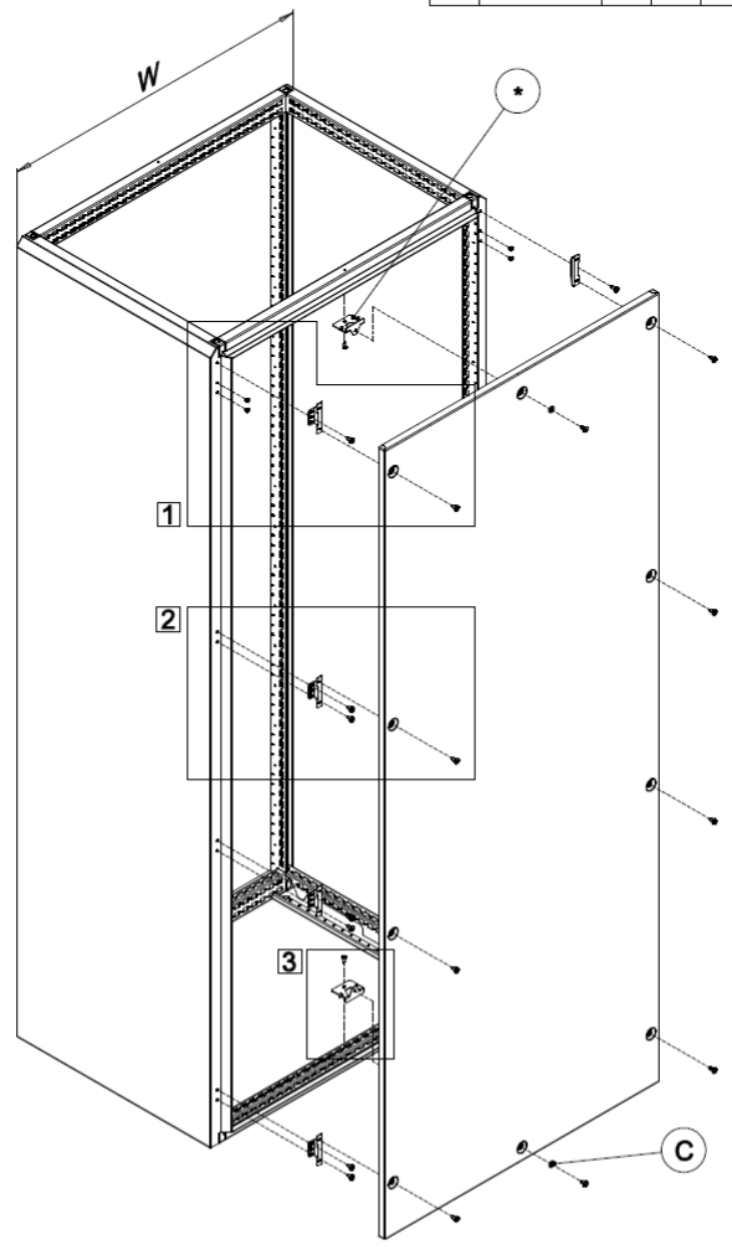
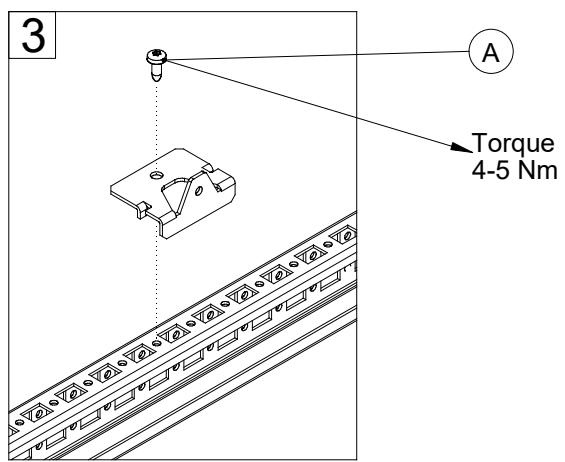
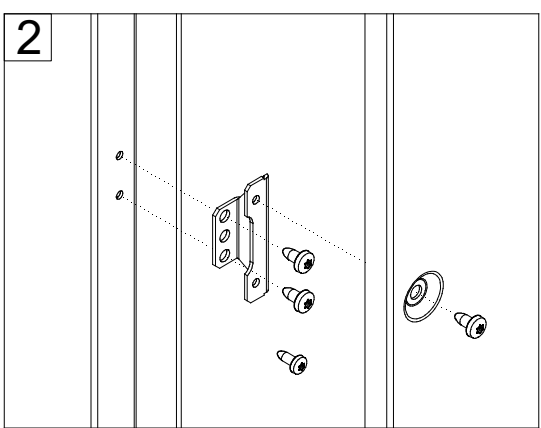
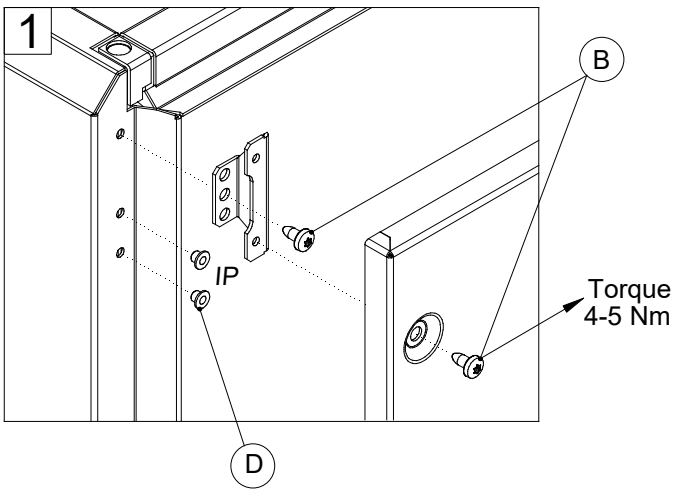


\* - Used on enclosures 1000mm wide and above.

# MKS BACK PANEL



Ref.	Pic.	W (mm)	<1000	≥1000
A			-	2
B		22	24	
C			-	2
D			4	4

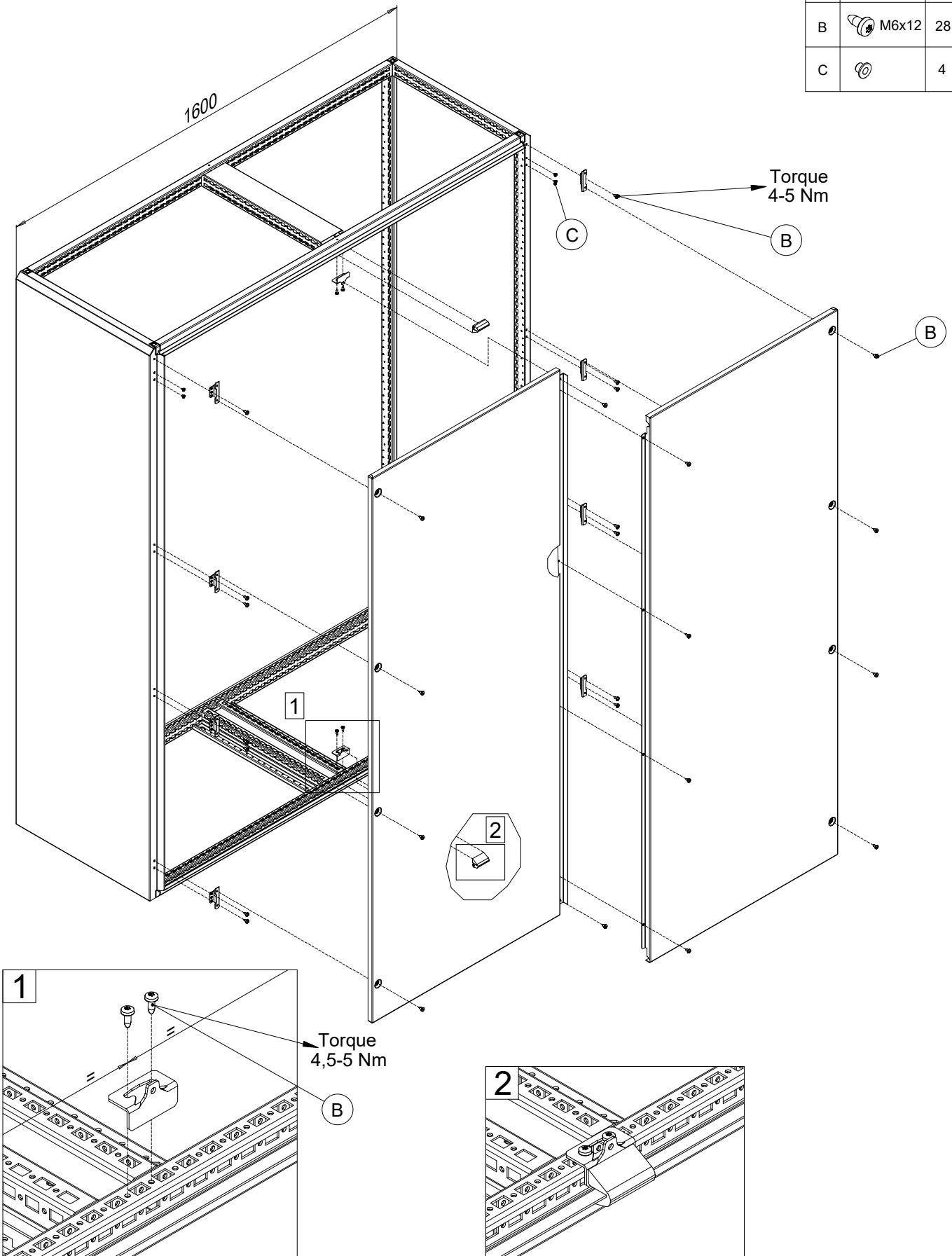


\* - Used on enclosures 1000mm and 1200mm wide.

# MKD BACK PANELS



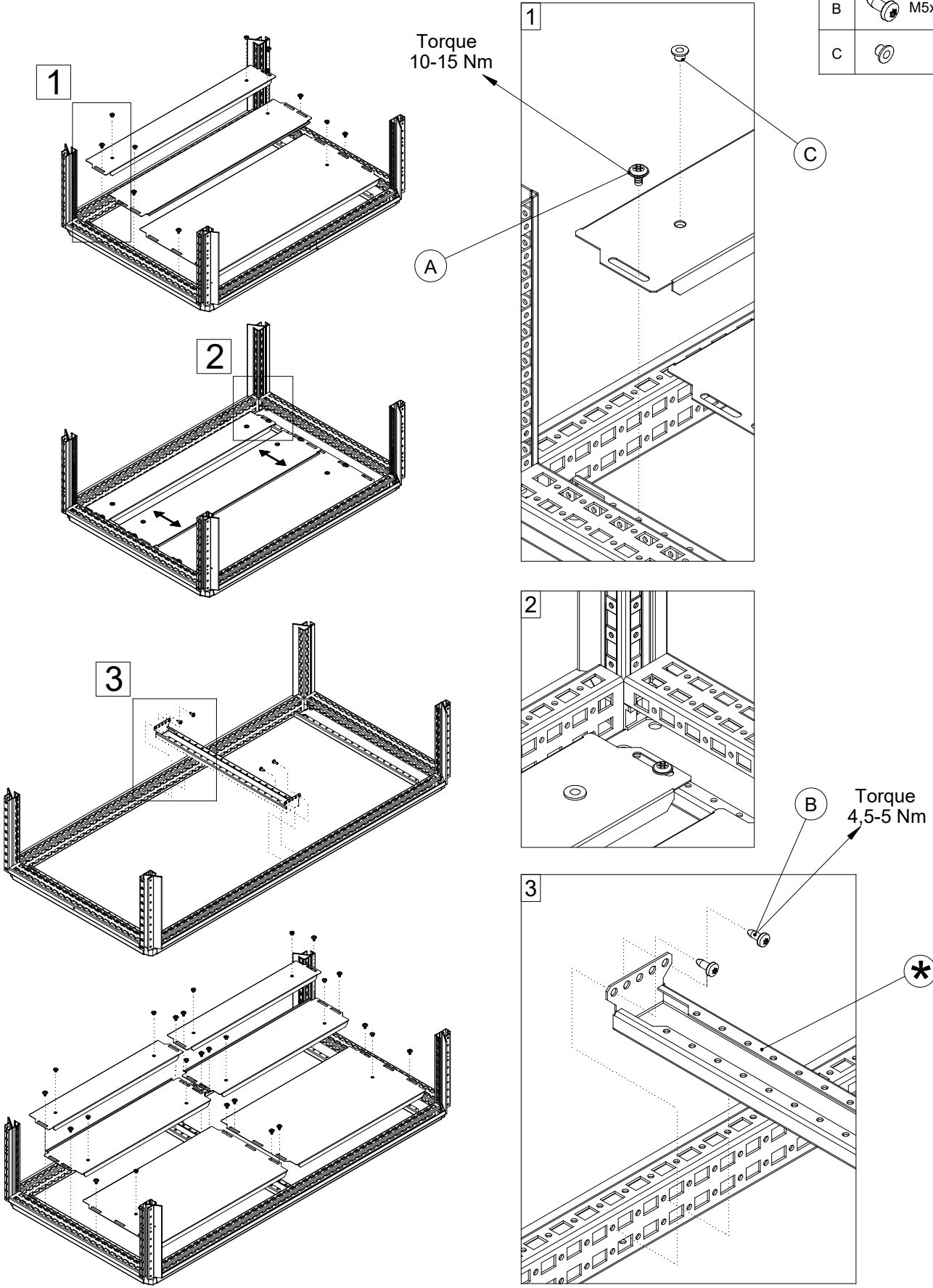
Ref.	Pic.	Qty.
A		4
B		28
C		4



# MOUNTING BOTTOM PLATES



Ref.	Pic.	Qty.
A	St. 5.5x10	6/8/12/16
B	M5x10	4
C	5/7/10/14	

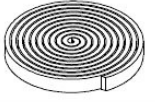
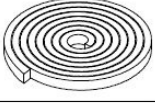



# SEALING BOTTOM PLATES

*Required for IP55*

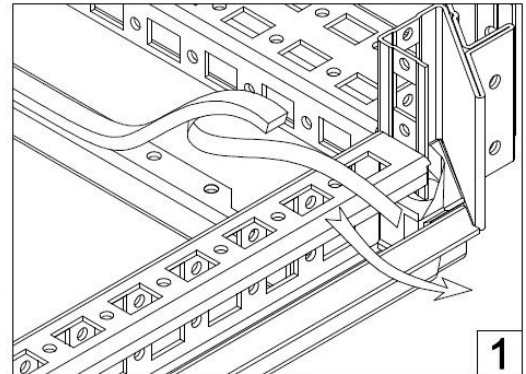
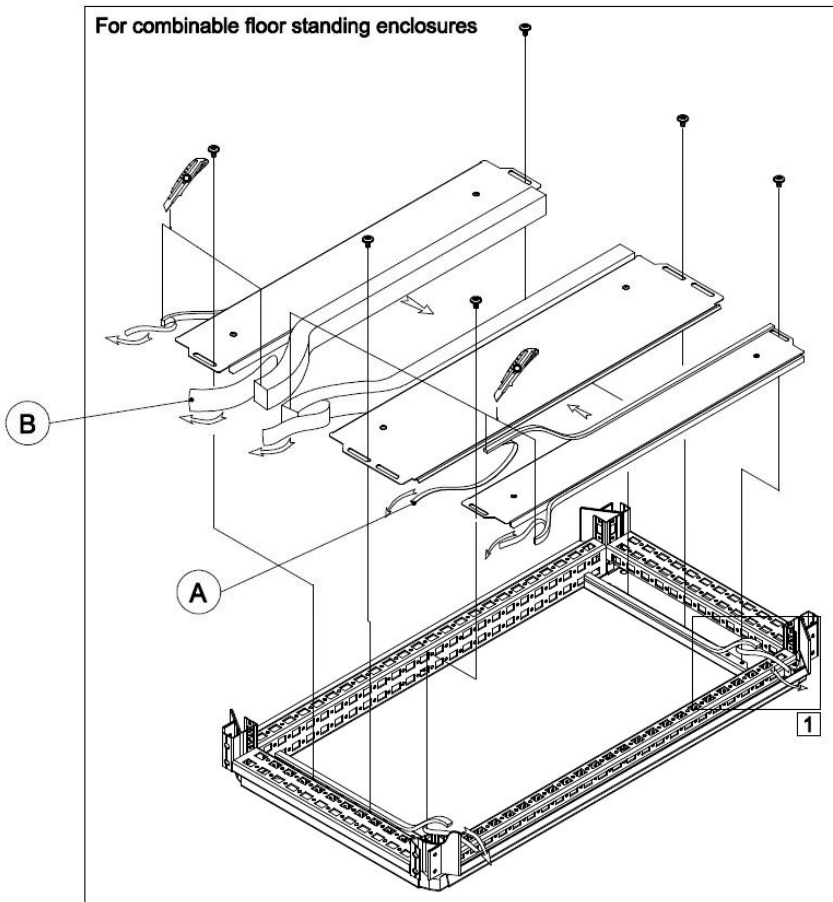


T25

Ref.	Pic.	Qty.
A		6m
B		1,6m
C		4

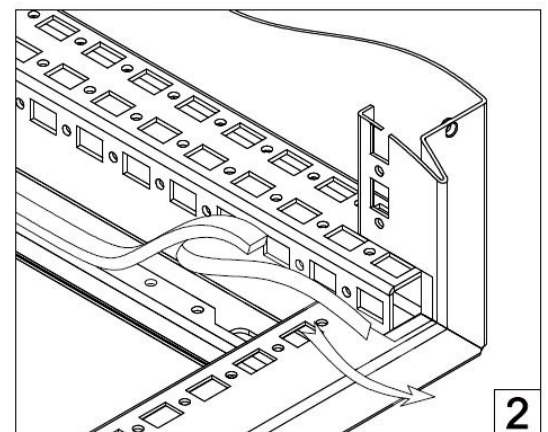
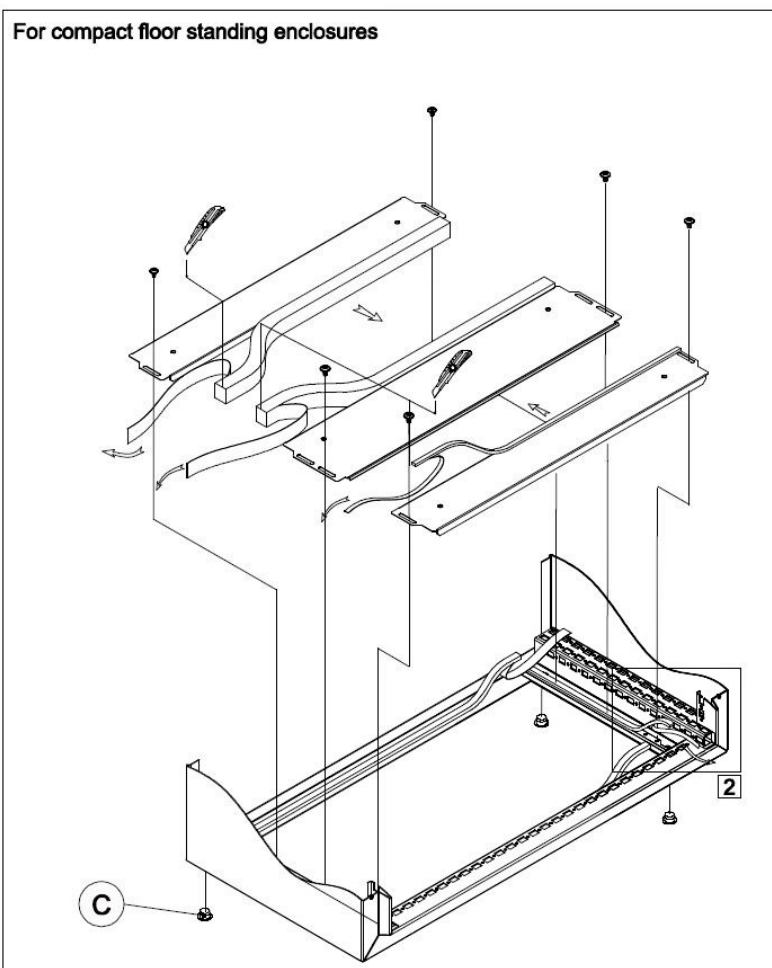
BG01 ordered separately

For combinable floor standing enclosures



1

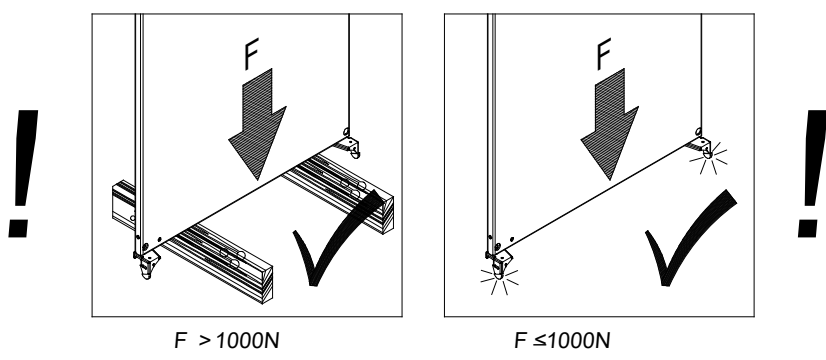
For compact floor standing enclosures



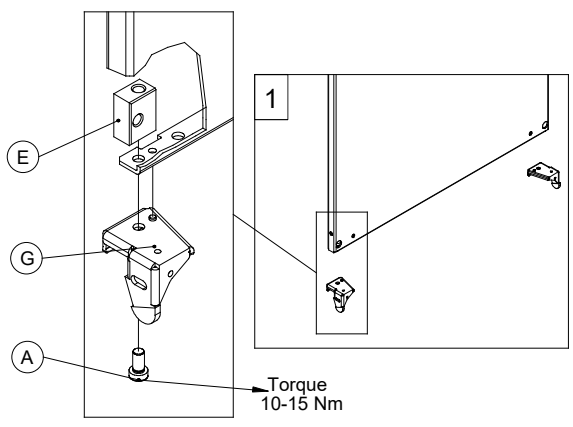
2



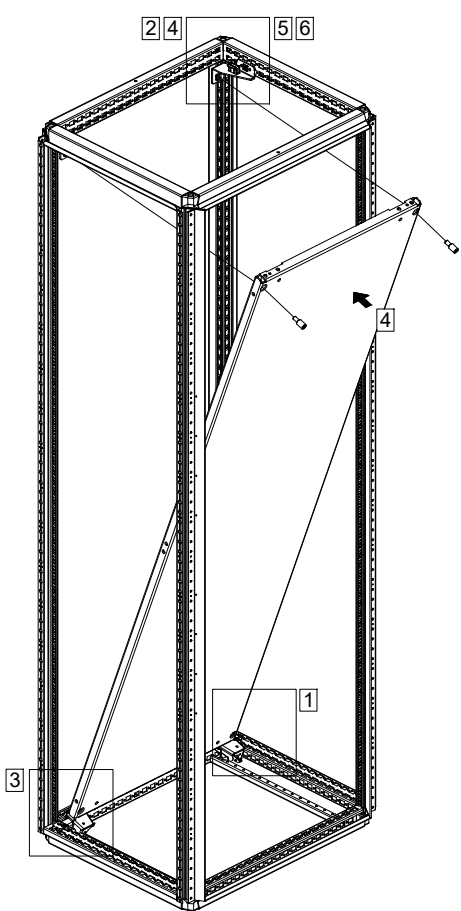
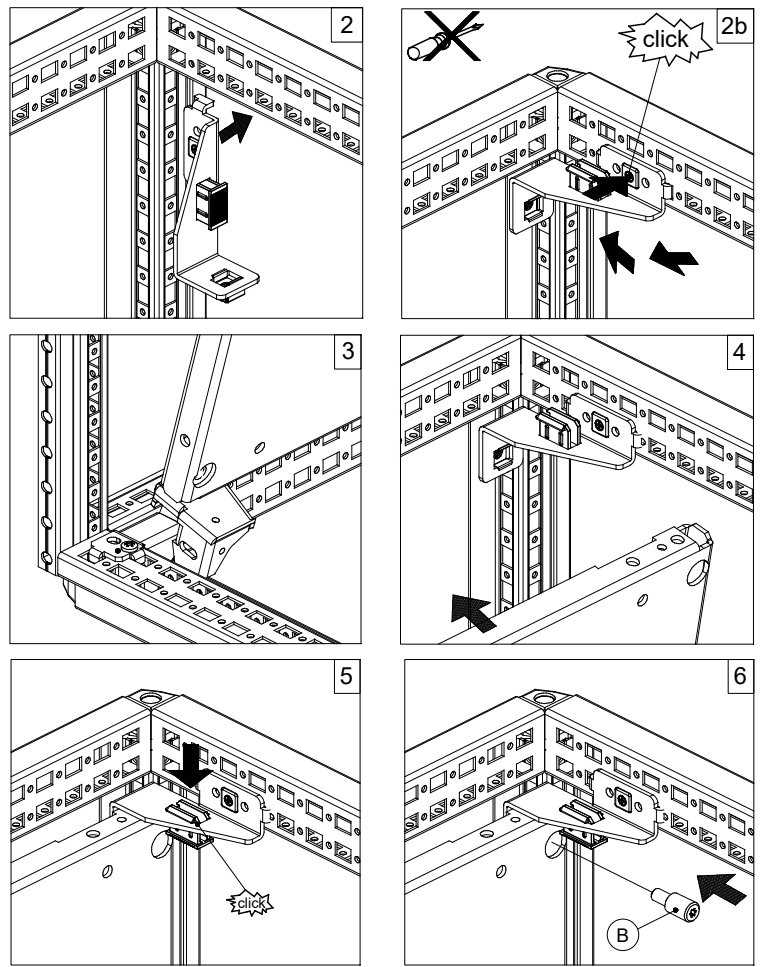
# MOUNTING PLATE



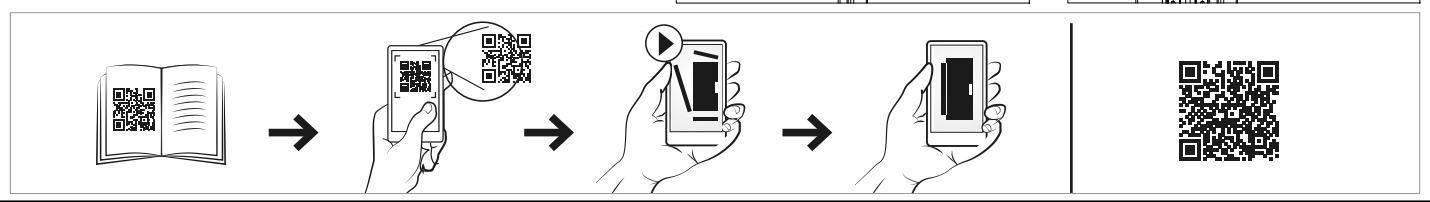
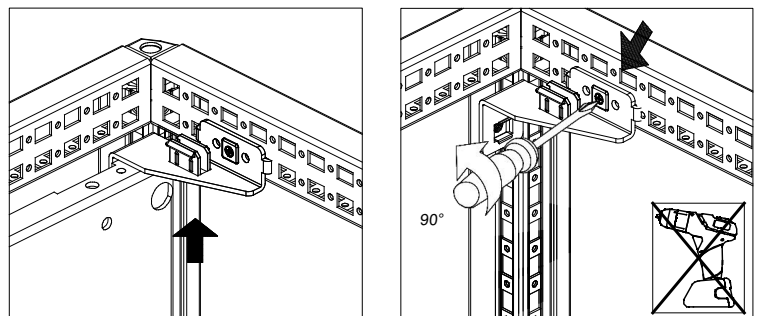
Ref.	Pic.	Qty.
A		2
B		2
C		2
D		1
E		1
F		1
G		1






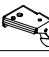




## MOUNTING

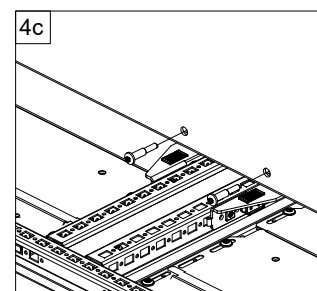
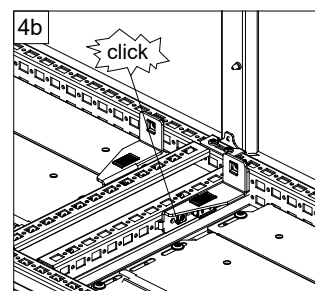
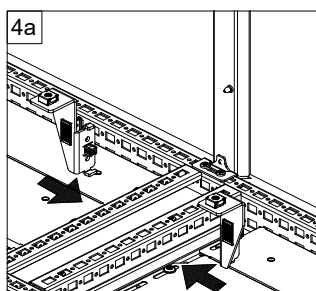
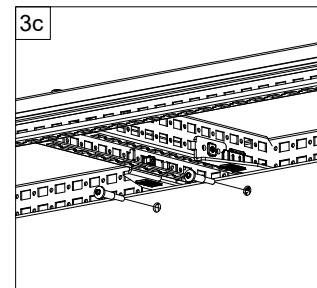
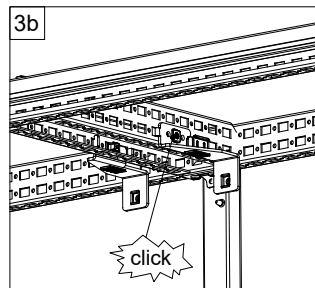
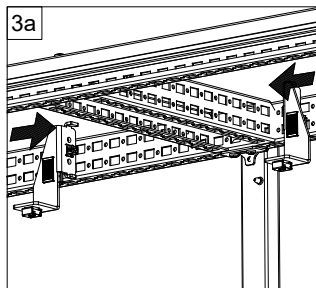
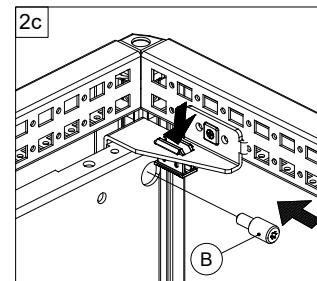
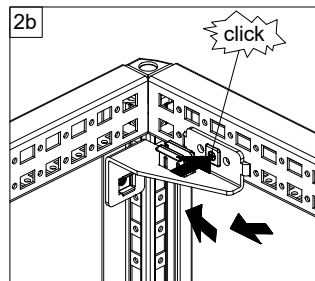
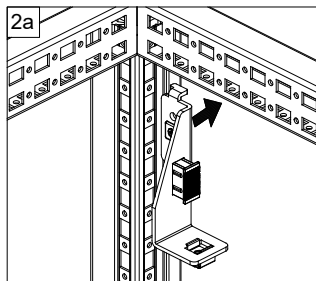
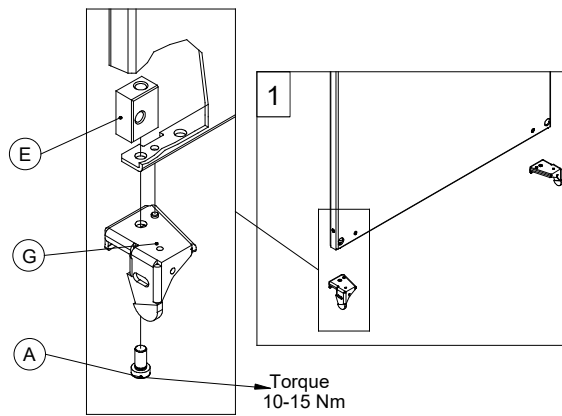
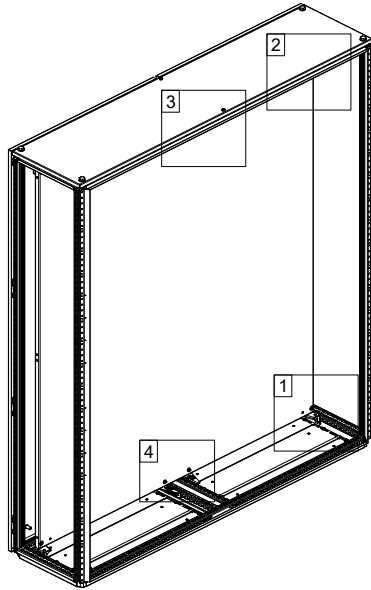
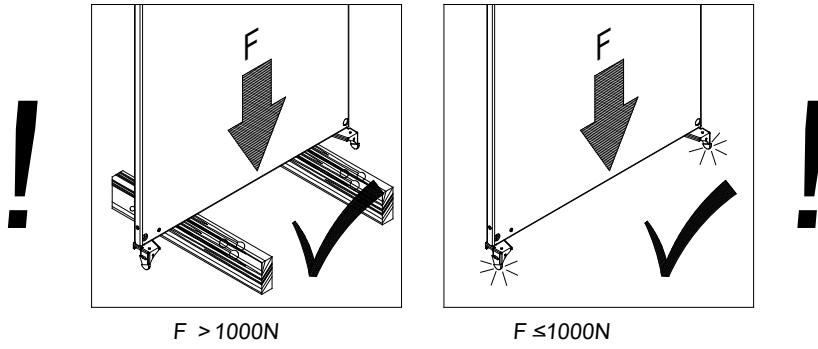


## UNMOUNTING



# MOUNTING PLATE 1600 WIDE

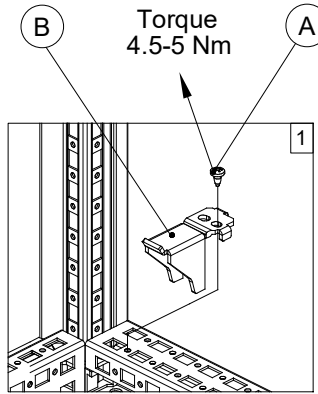
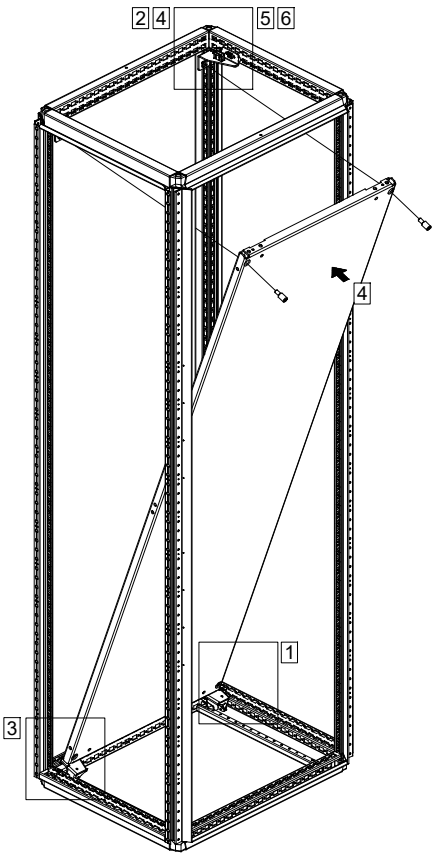
Ref.	Pic.	Qty.
A	 M8x16	2
B	 M8x16	2
C		2
D	 Bottom right	1
E	 Bottom left	1
F	 Top right	3
G	 Top left	3
H	 M8x40	4



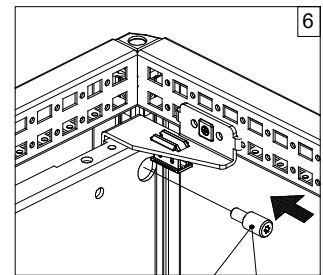
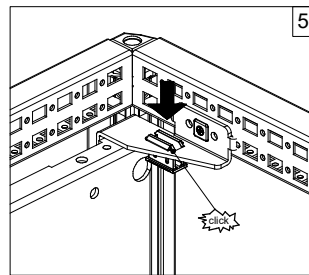
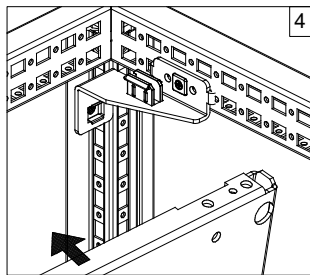
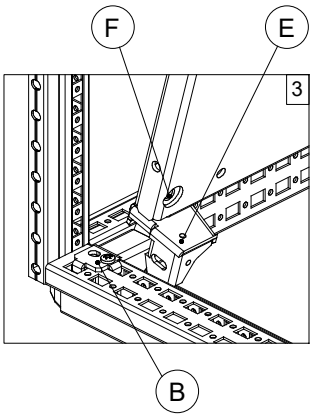
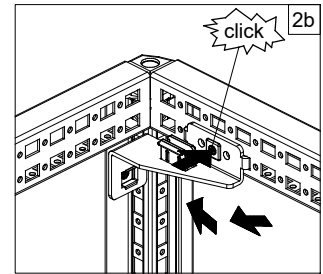
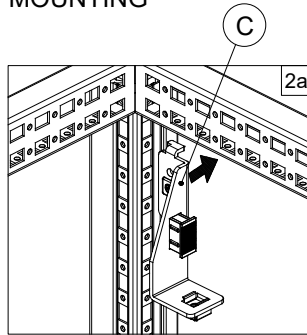


# MPD02

Ref.	Pic.	Qty.
A	M5X12	2
B	Bottom left	1
C	Bottom right	1

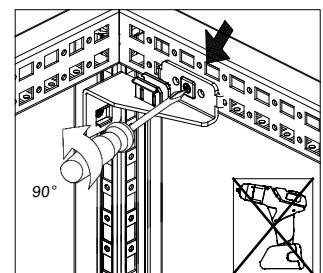
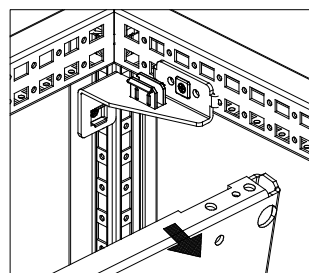
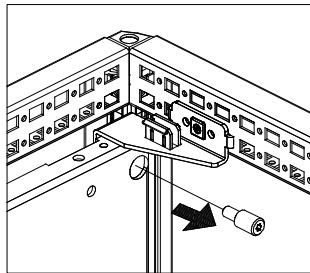
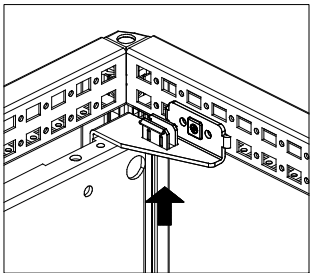


## MOUNTING



Torque 4.5-5 Nm

## UNMOUNTING



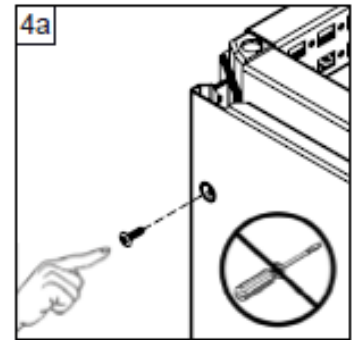
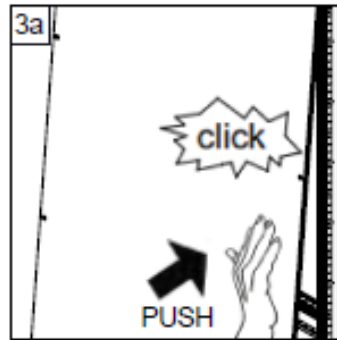
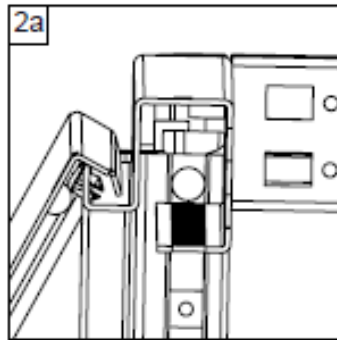
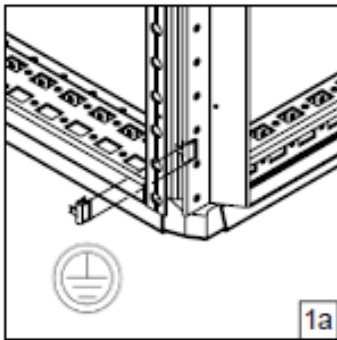
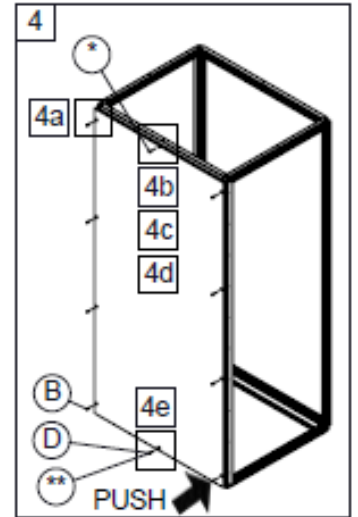
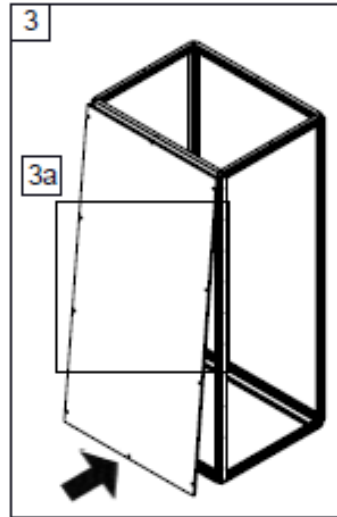
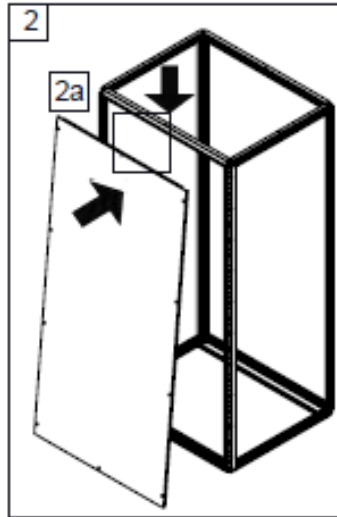
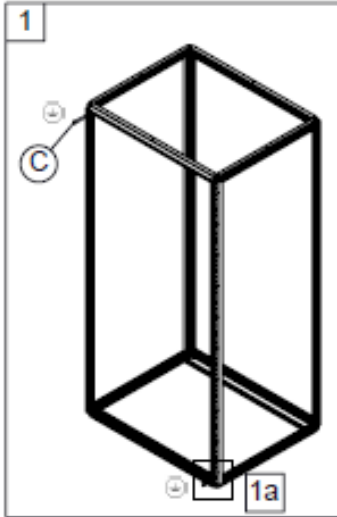




# SPM

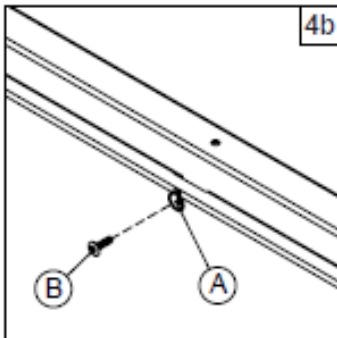
Ref.	Pic.	Qty.
A		6/8/9
B		6/8/9
C		2
D		1
E		1
F		1
G		

## Side panel mounting

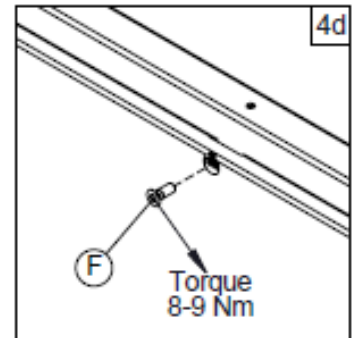
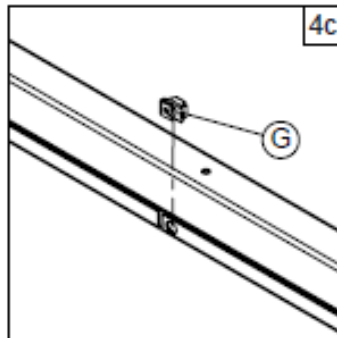


\* Top middle fixation (for 900 mm depth and above)

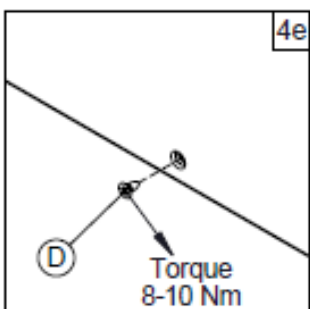
Alternative 1



Alternative 2



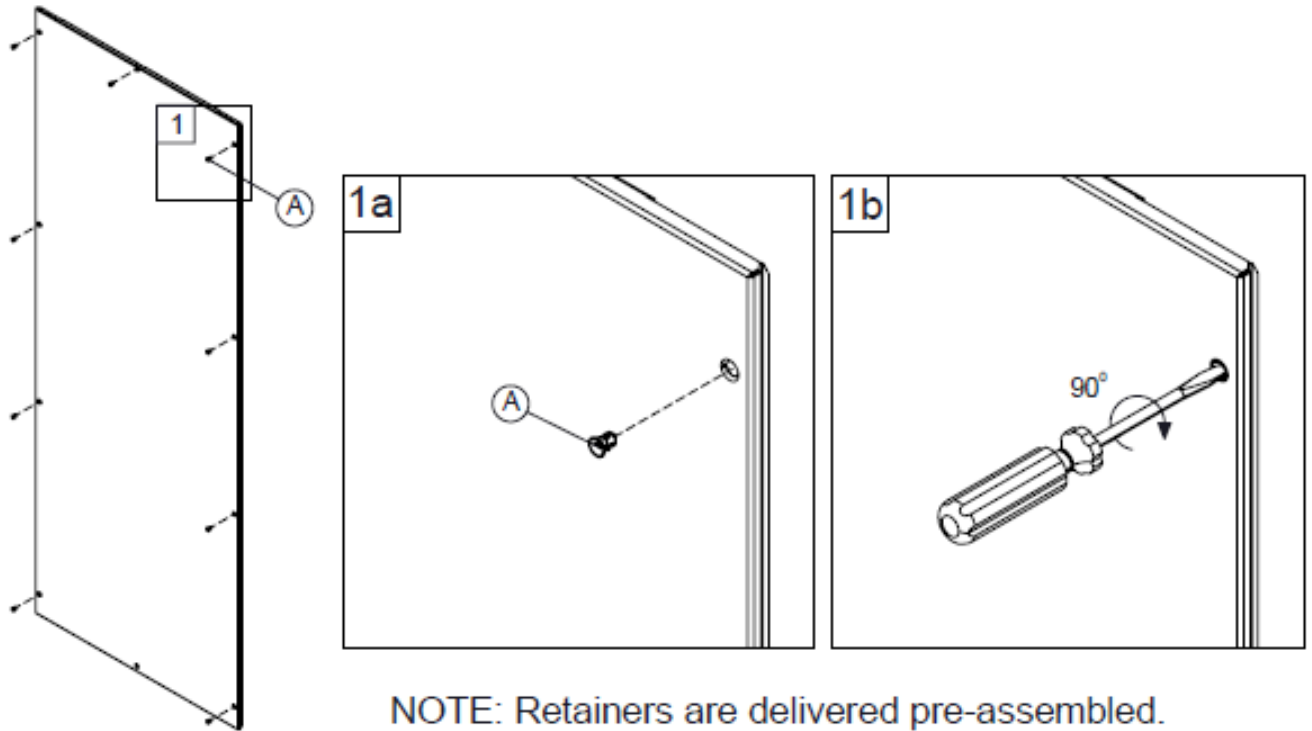
\*\* Bottom middle fixation (for 900 mm depth and above)



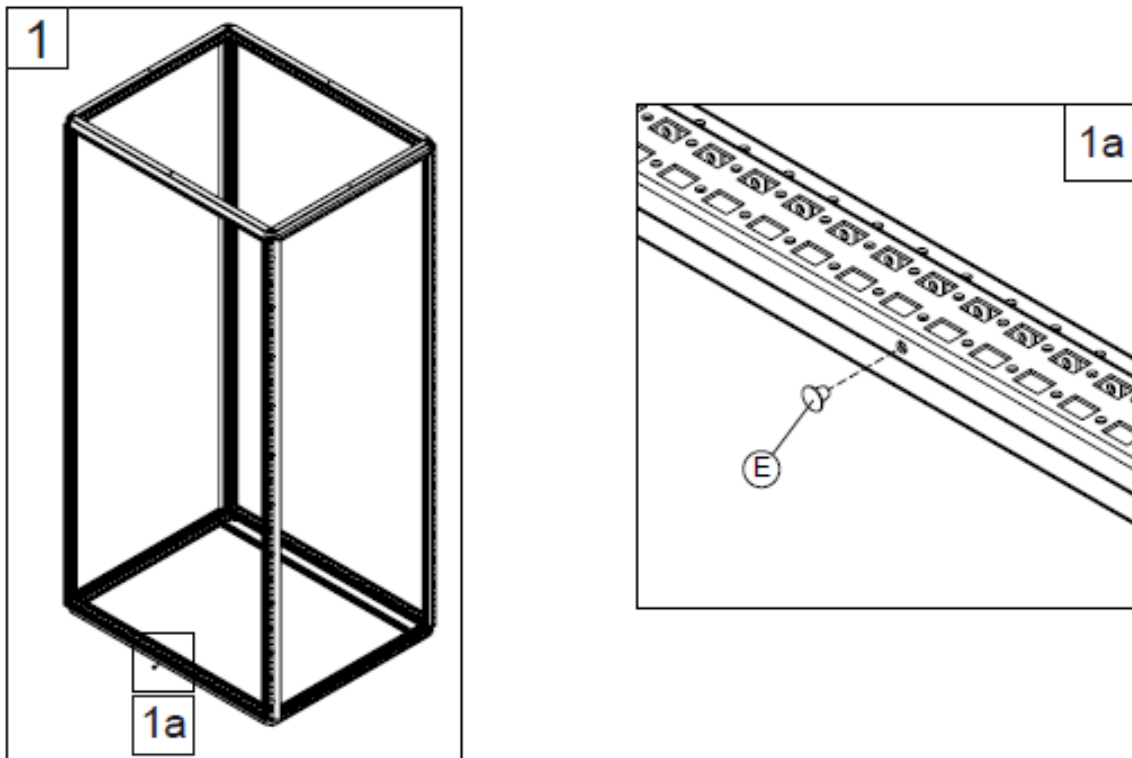


# SPM

## Retainer mounting

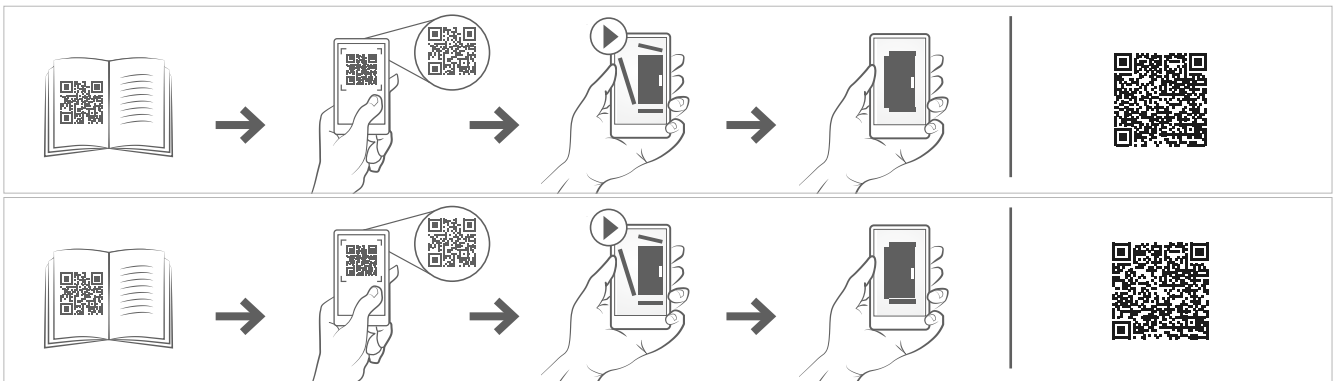
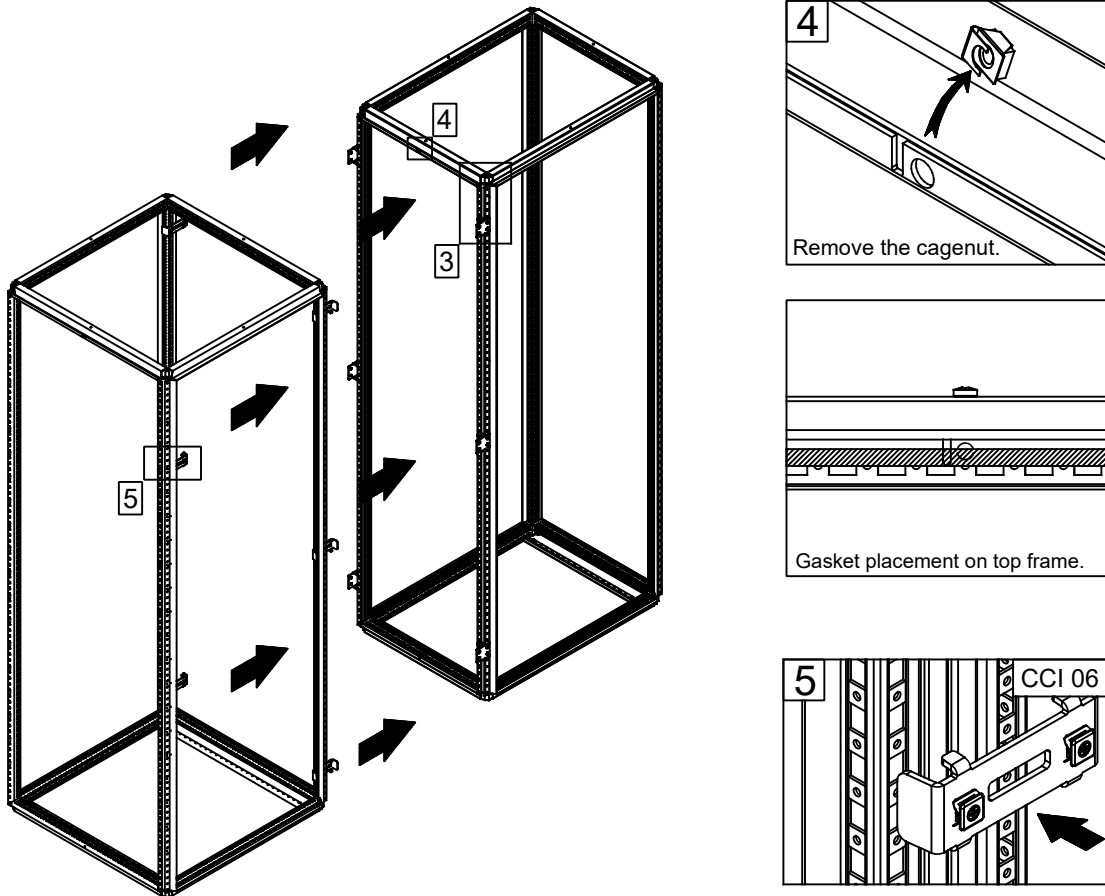
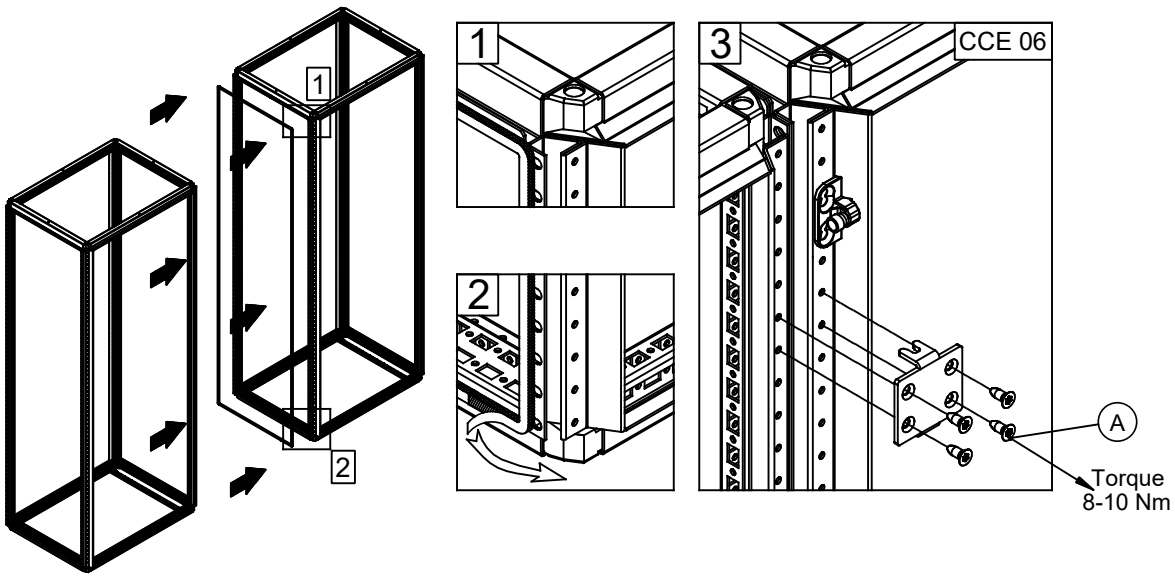


NOTE: For the old design frame (from 700 mm till 800 mm depth), the following additional steps are required:



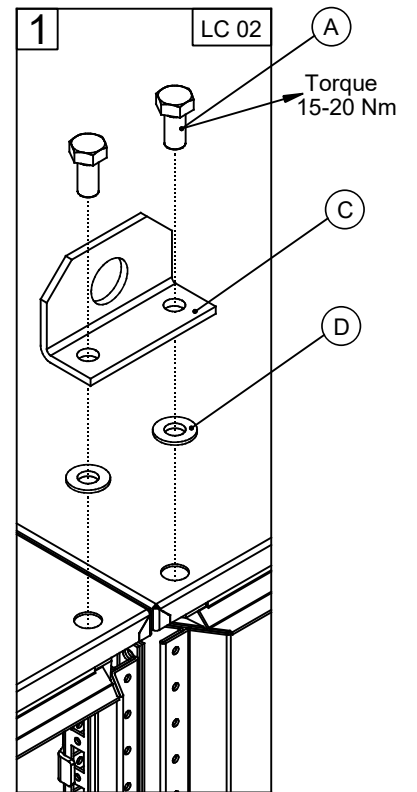
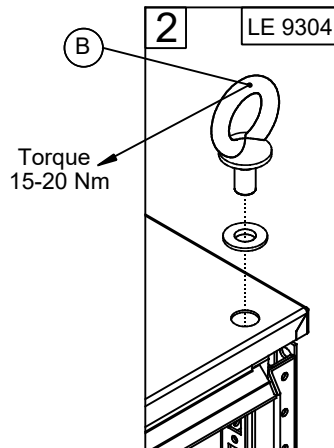
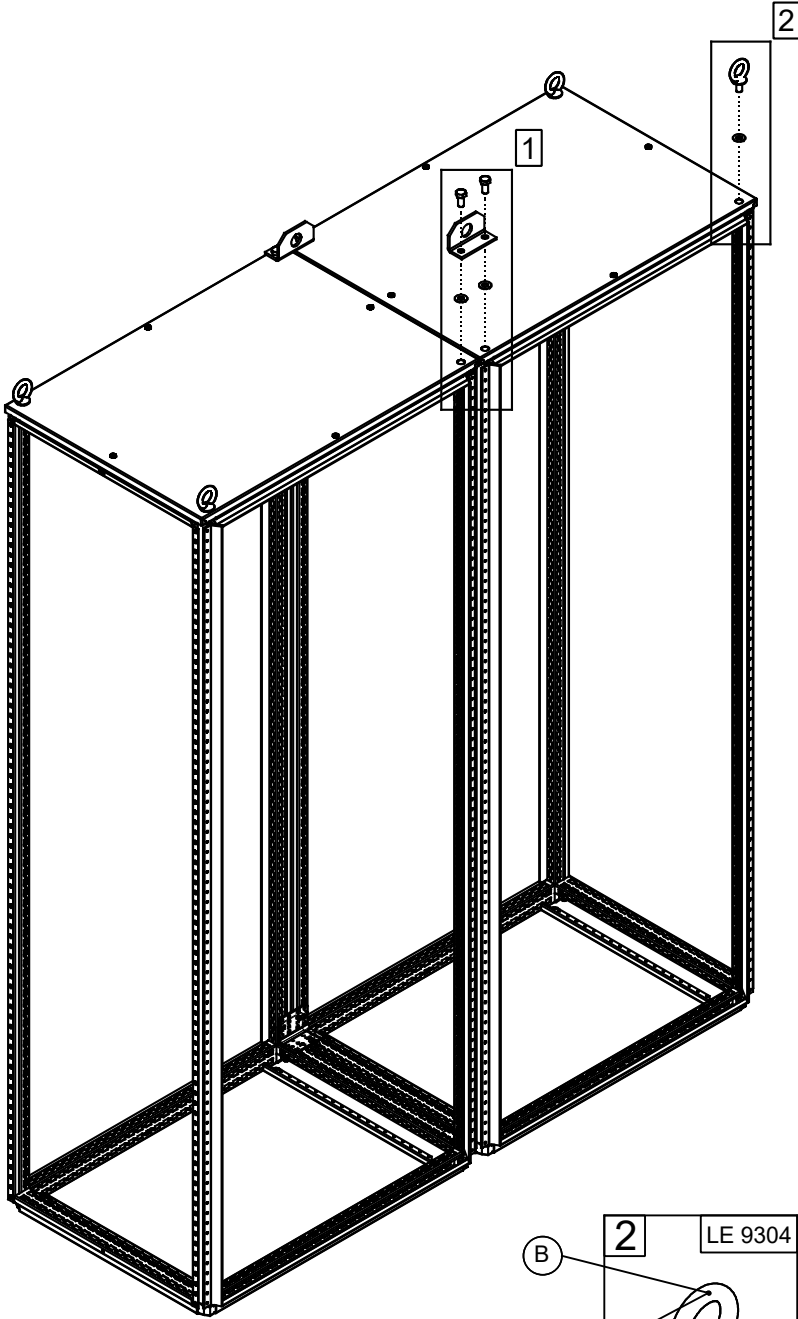


Ref.	Pic.	Qty.
A		8
B		6
C		12
D		6





Ref.	Pic.	Qty.
A		4
B		4
C		2
D		4

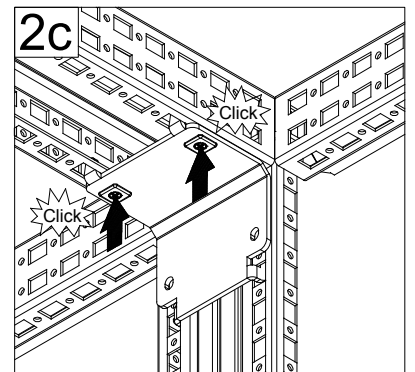
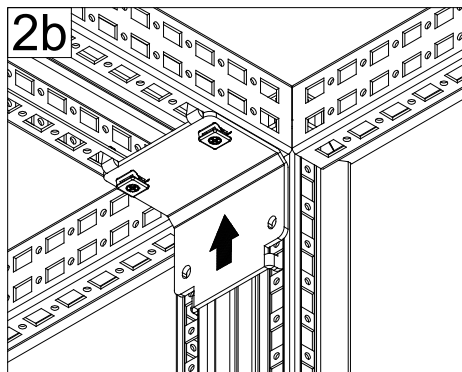
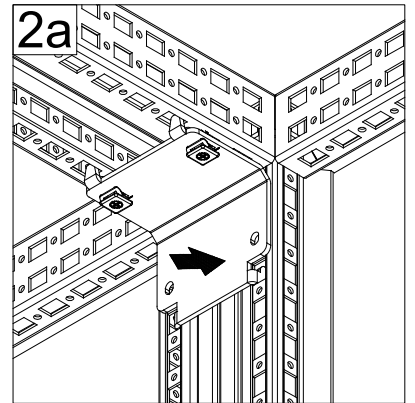
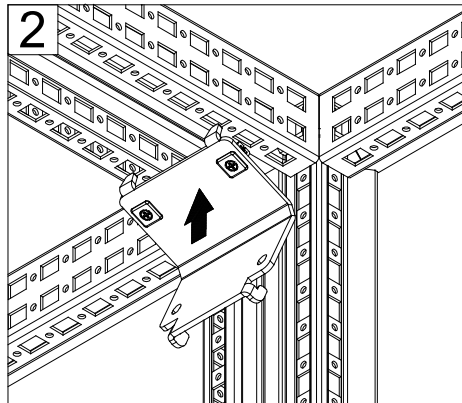
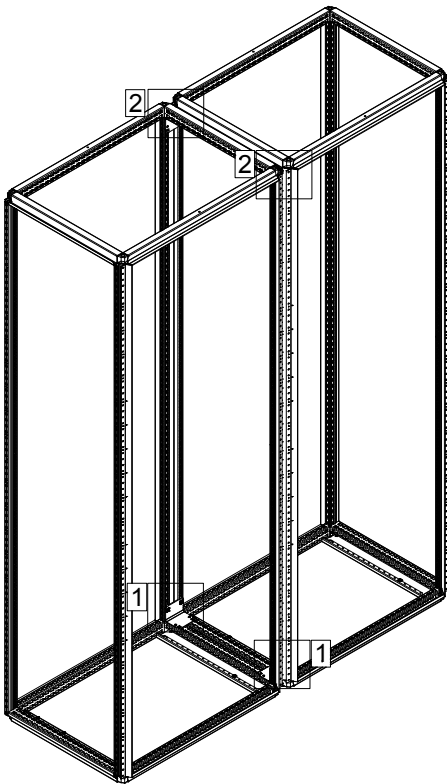
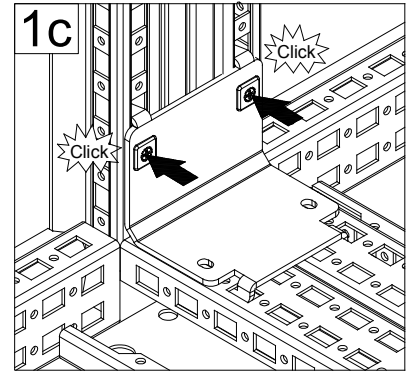
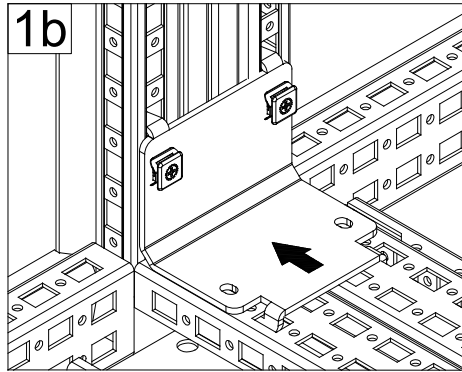
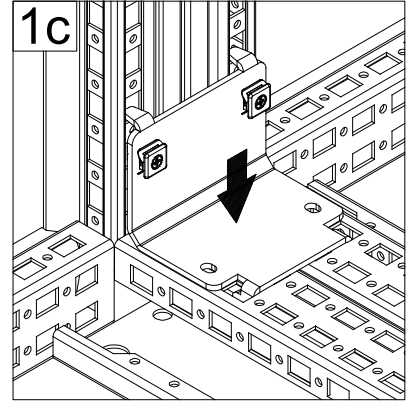
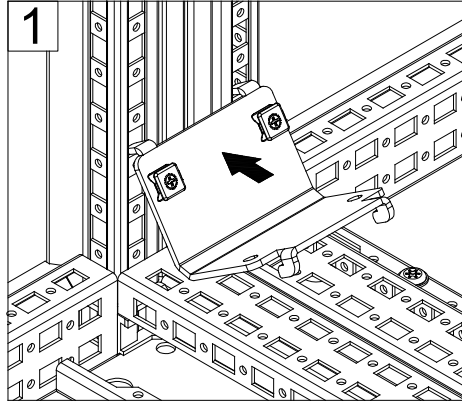
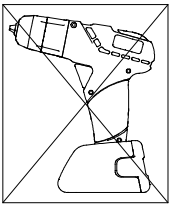
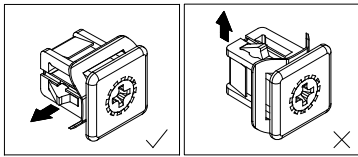
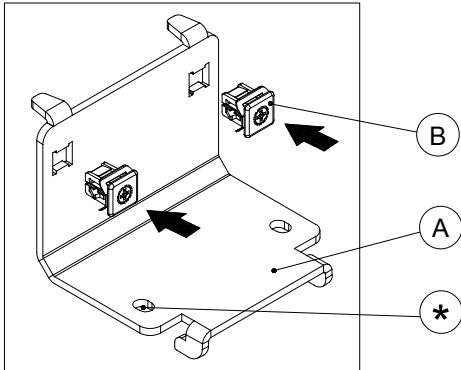




# CCM 04

Ref.	Pic.	Qty.
A		4
B		8

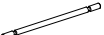



## MOUNTING

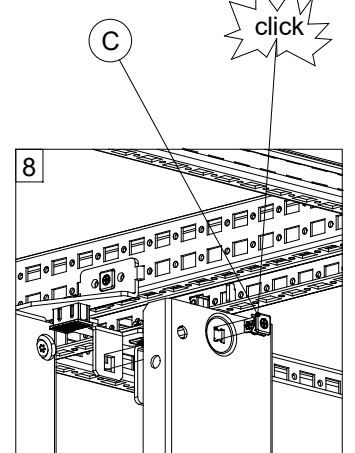
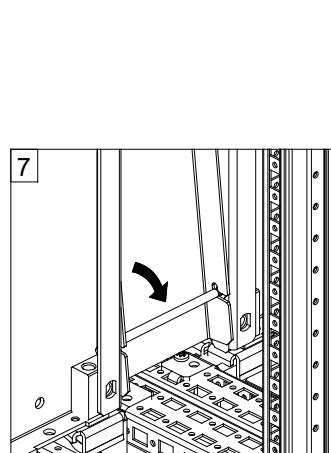
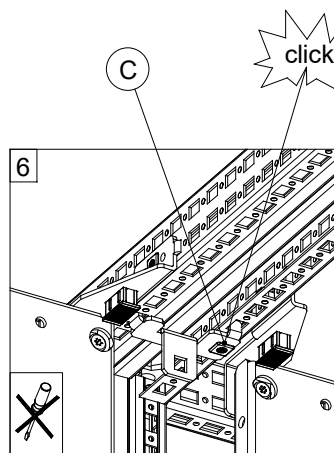
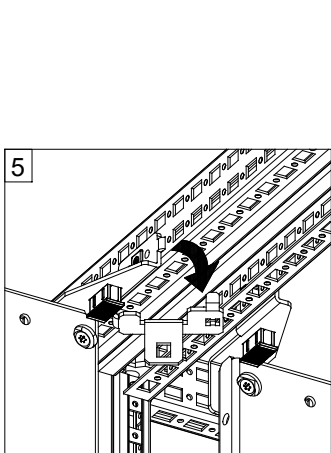
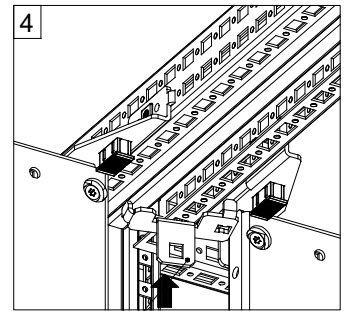
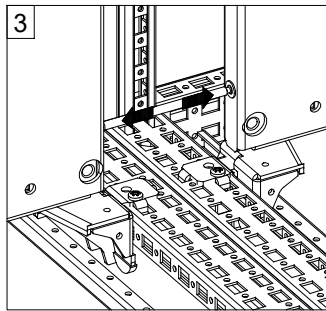
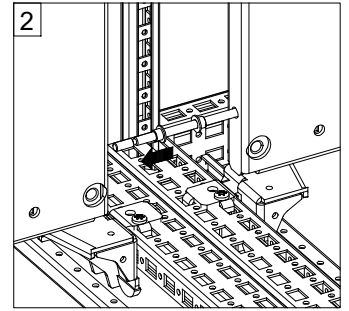
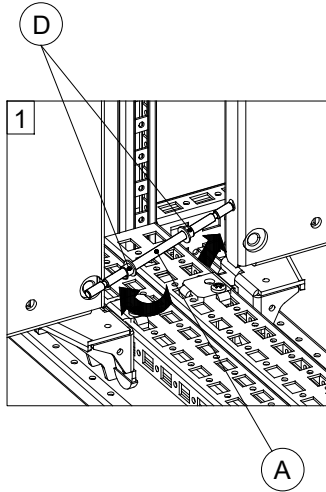
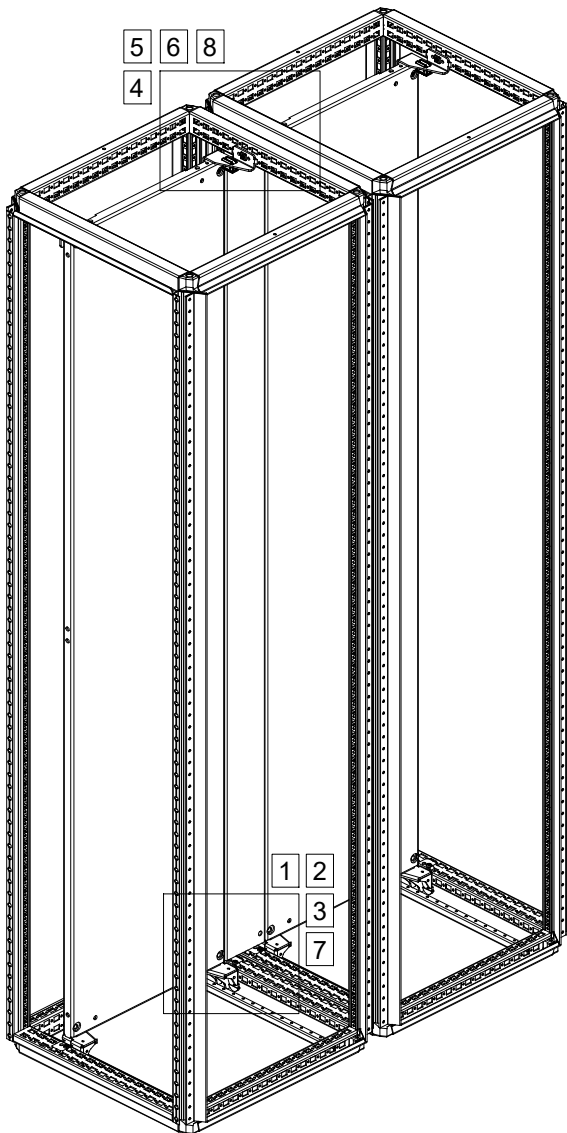


Note: It is mandatory for all four brackets to be installed at all four corners !

\* The fixation holes can be used to better fix the bracket to the frame, using cage nuts and screws !

# MPF


Ref.	Pic.	Qty.
A		1
B		1
C		2
D		2

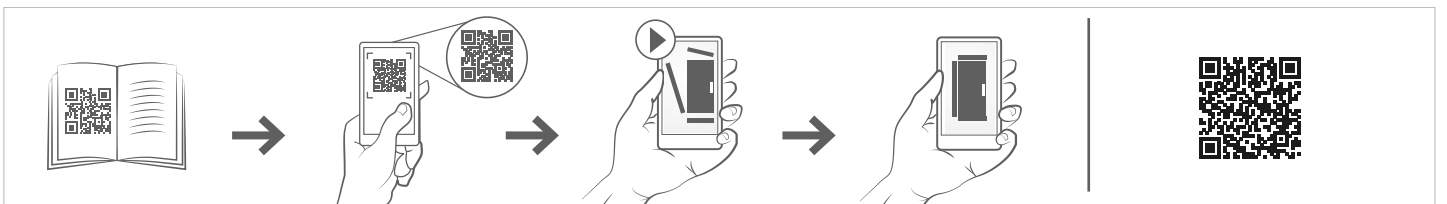
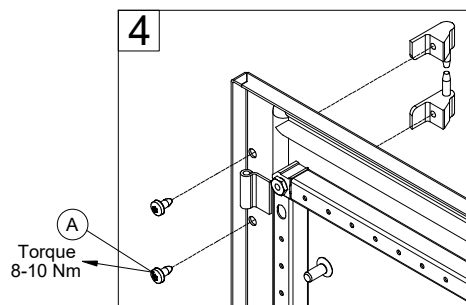
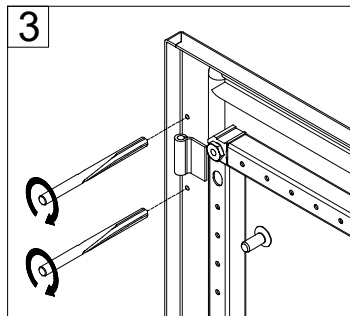
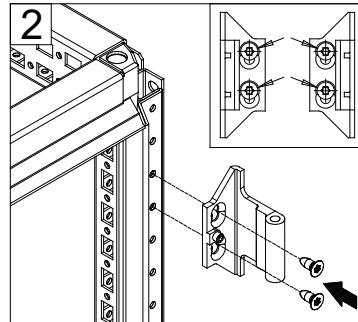
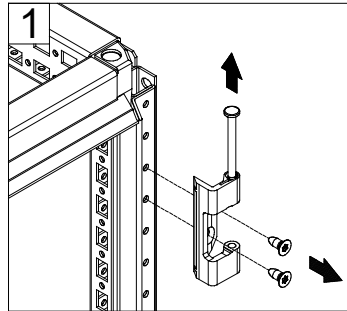
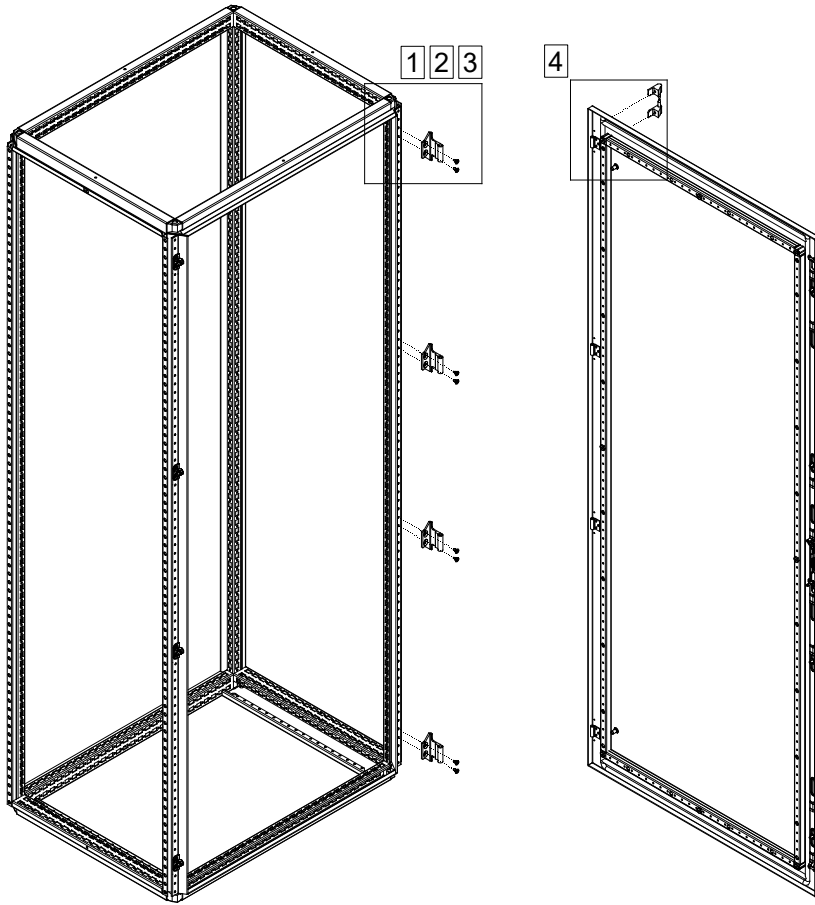
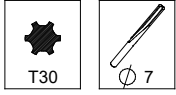


Back view



# DHN 180

Ref.	Pic.	Qty.
A	 M6x12	8



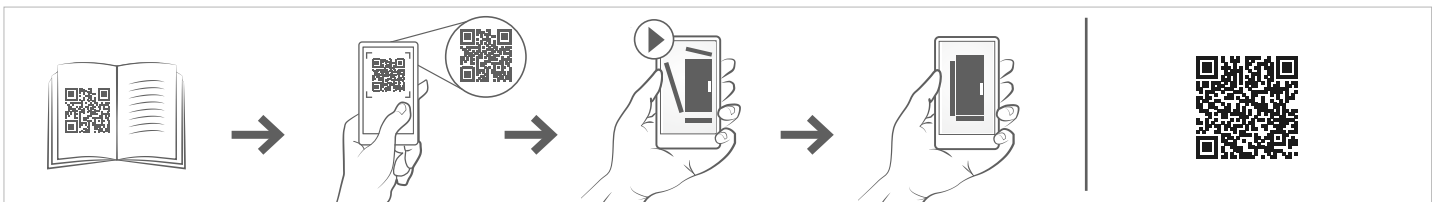
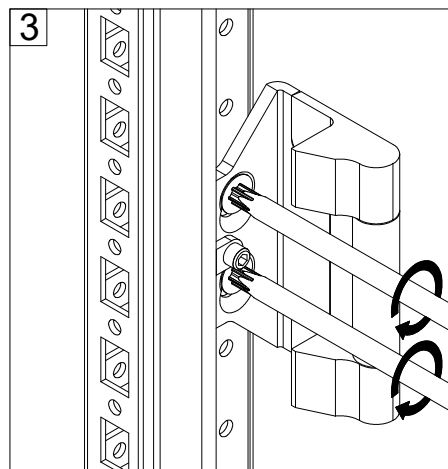
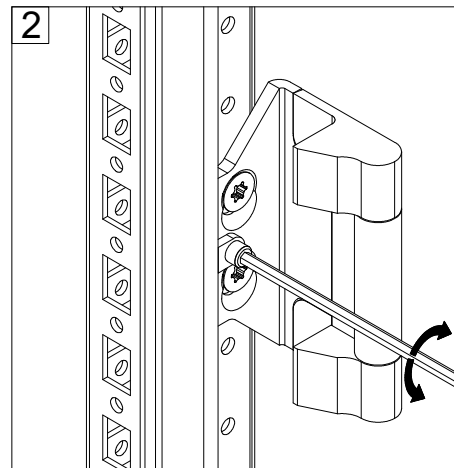
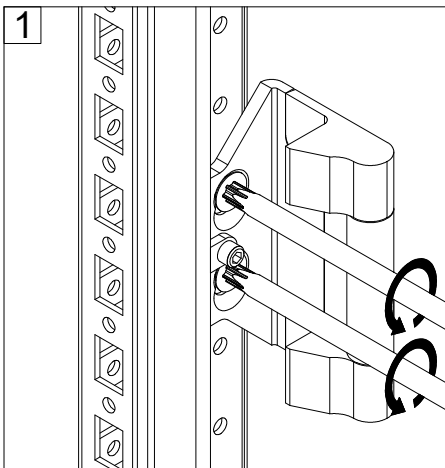
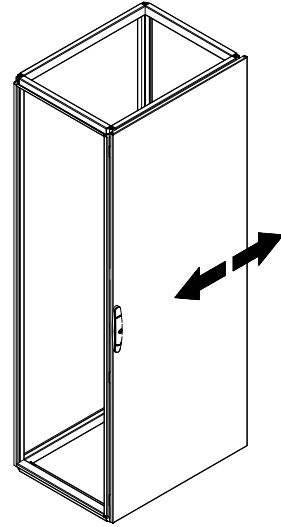
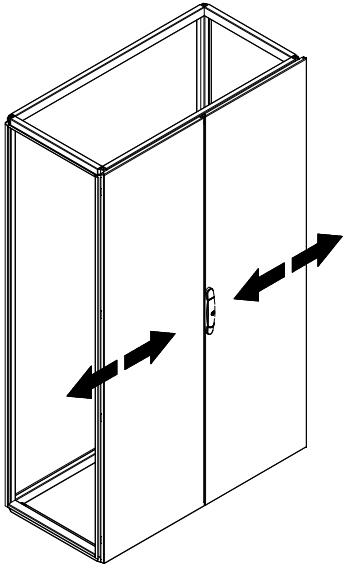


T30

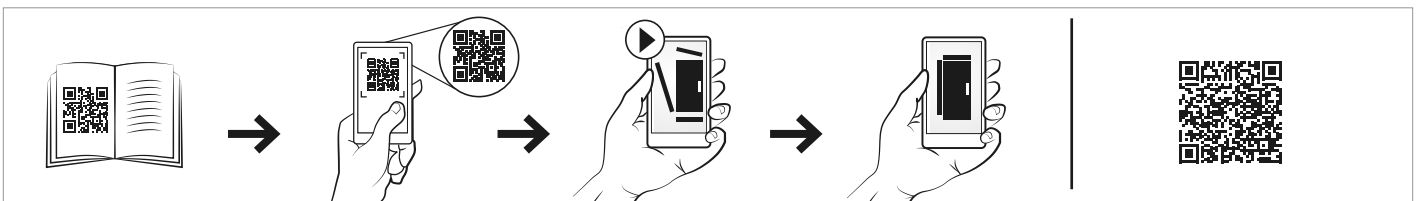
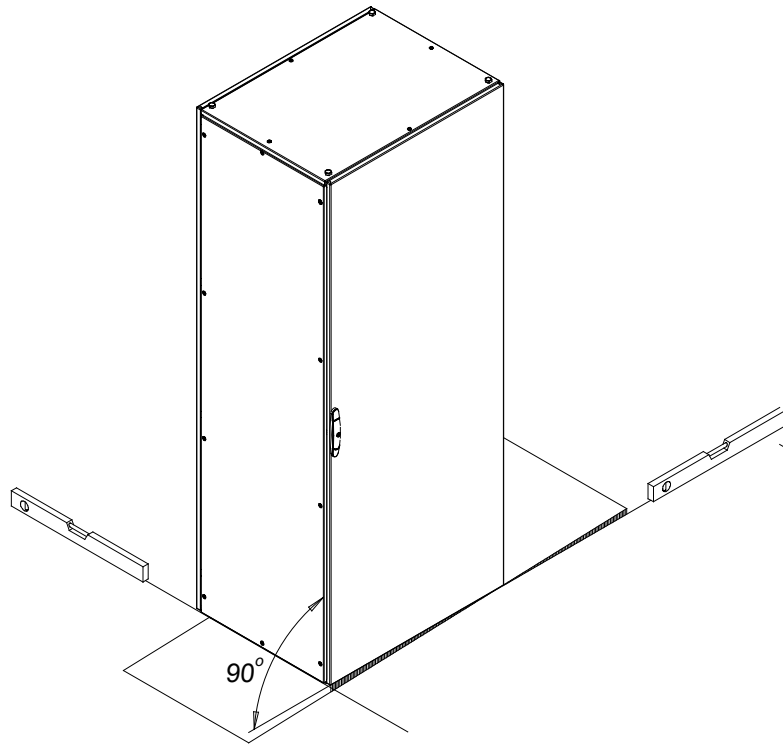
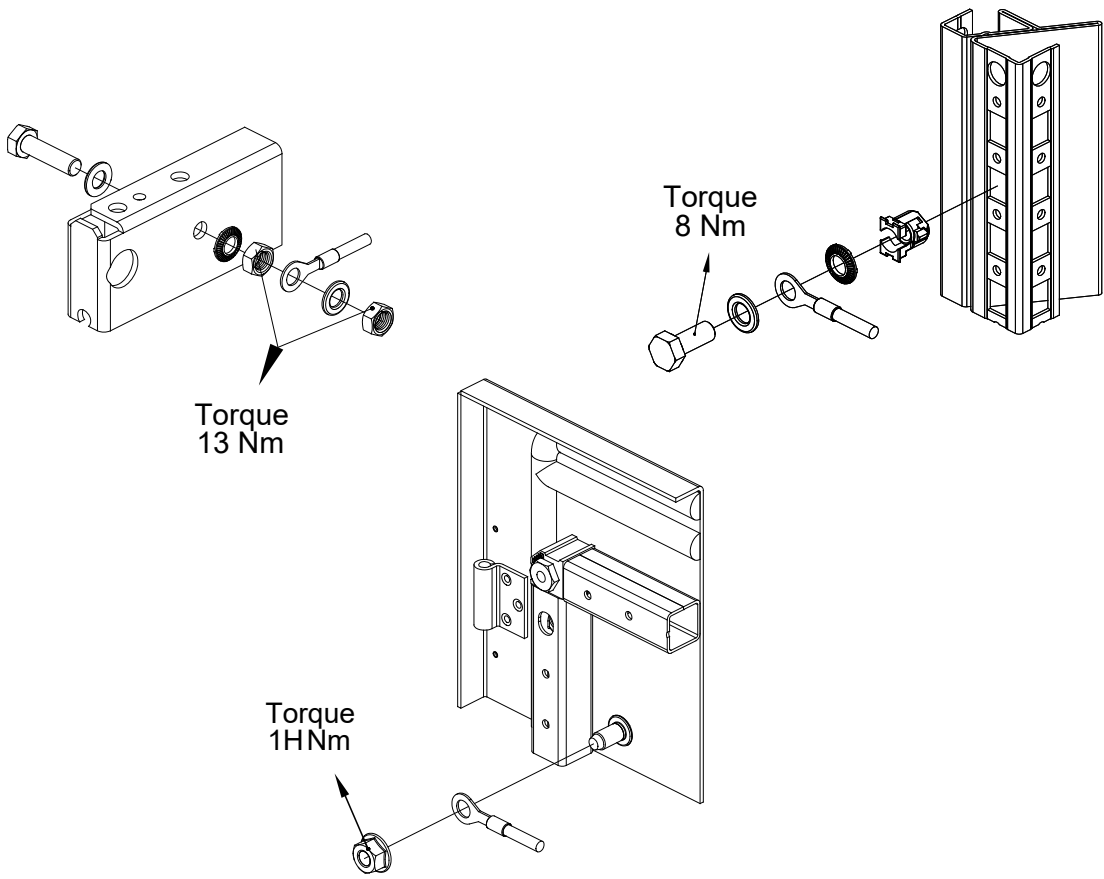


SW3

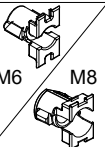
# DHN 180 DOOR ADJUSTMENT

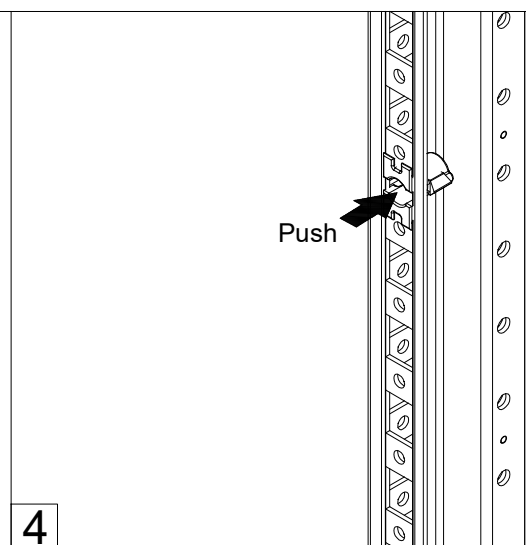
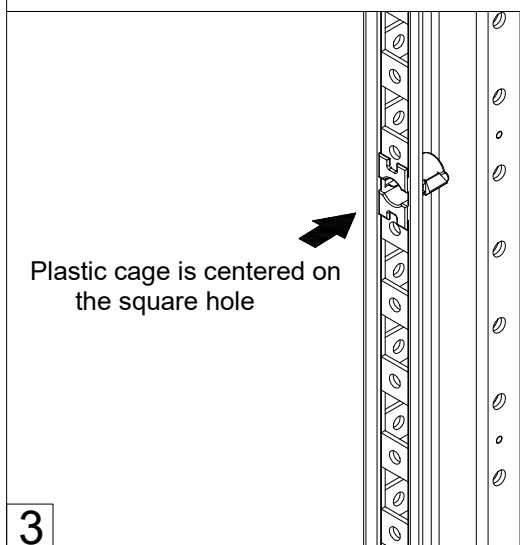
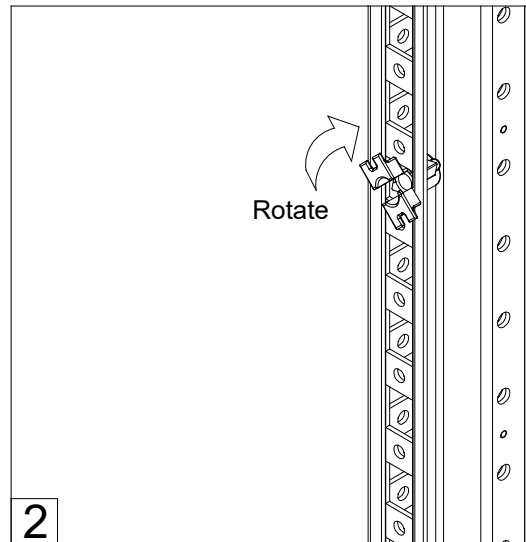
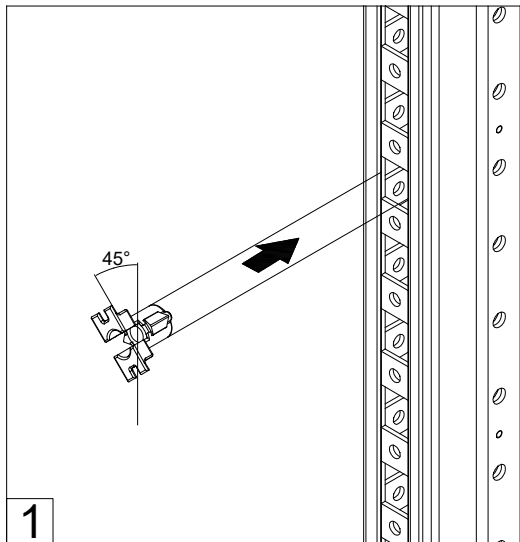
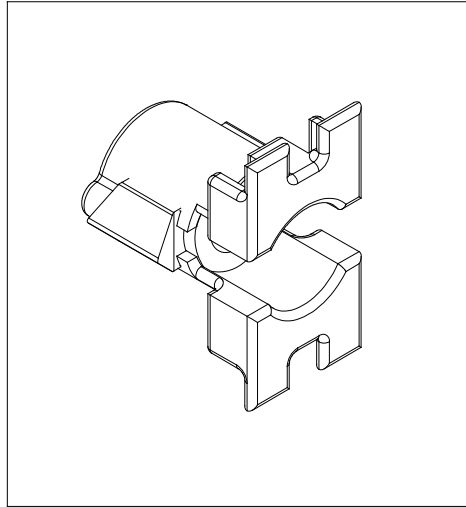


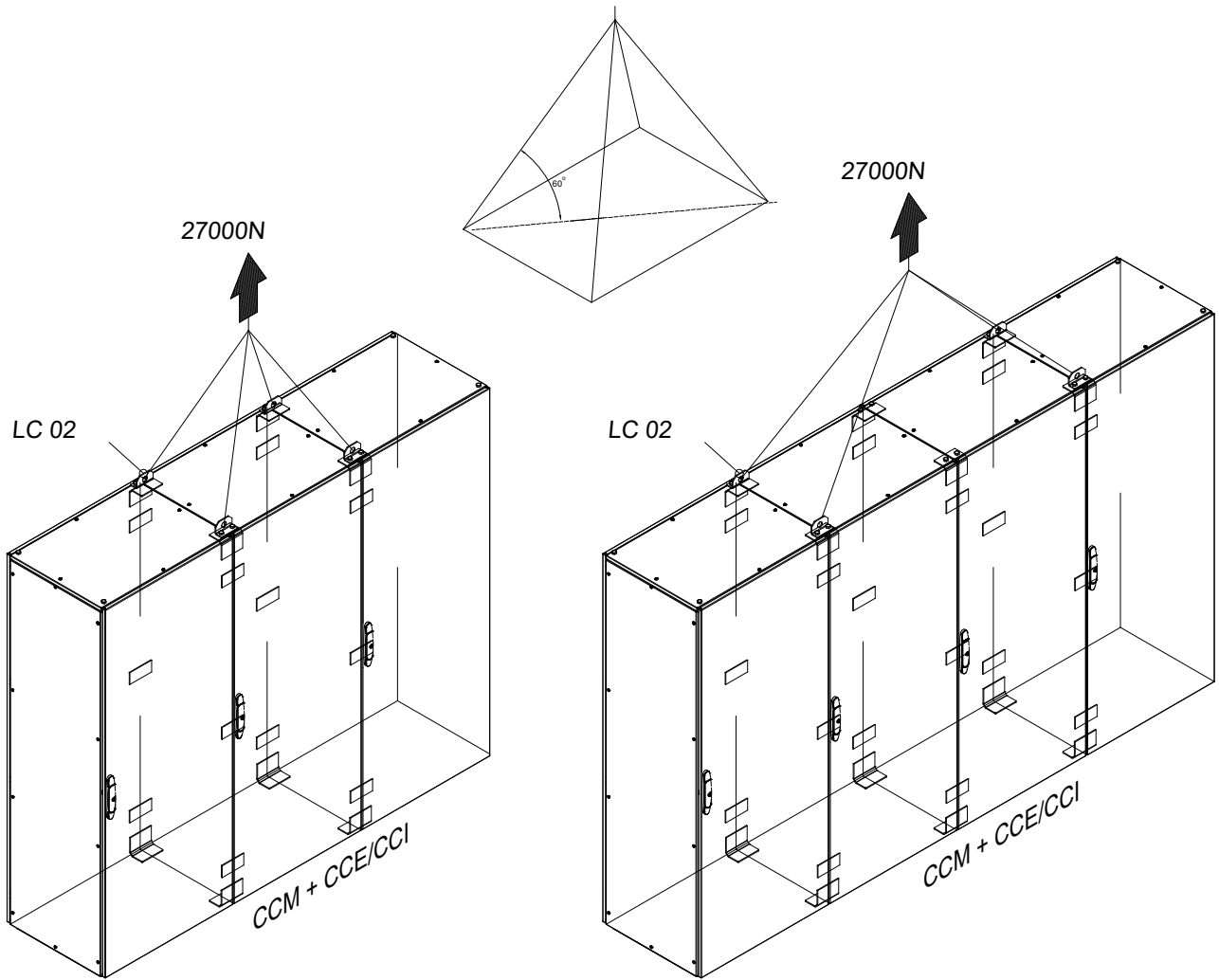
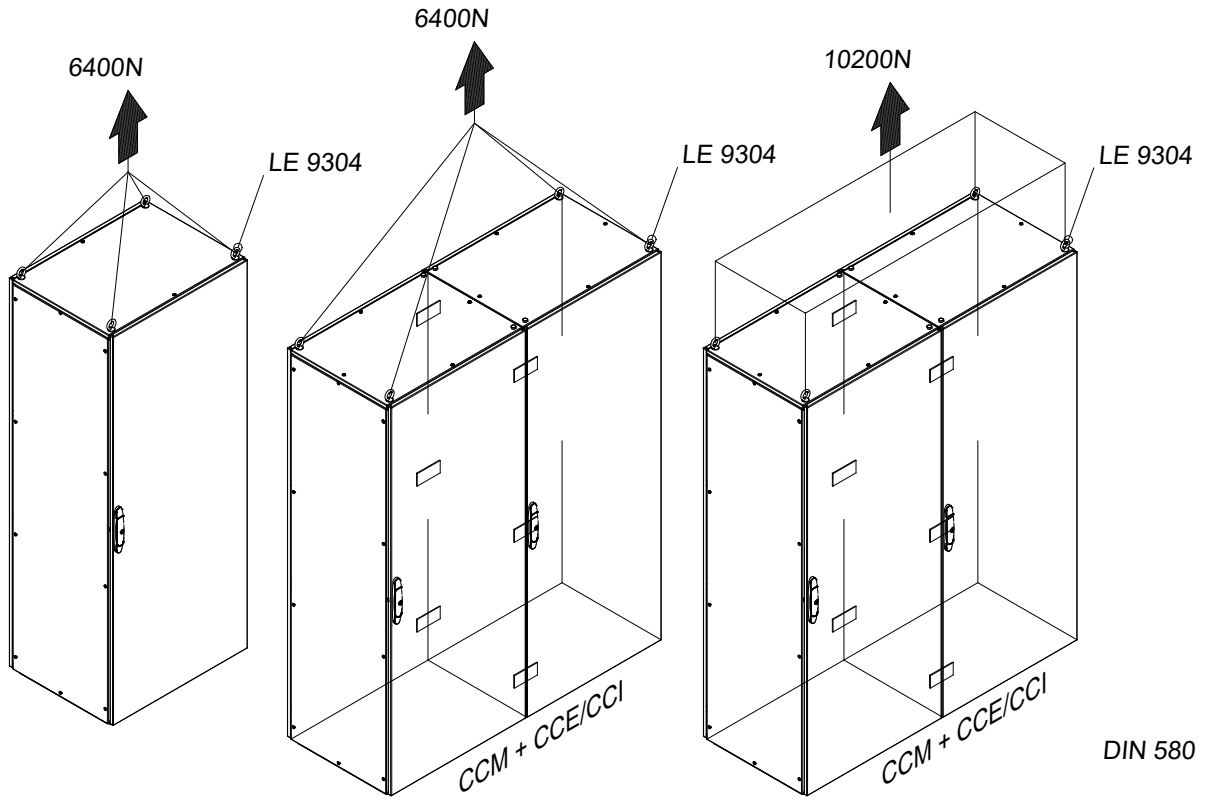




# CNM

Ref.	Pic.	Qty.
A		1







# MCM

Mousepad RH into LH

