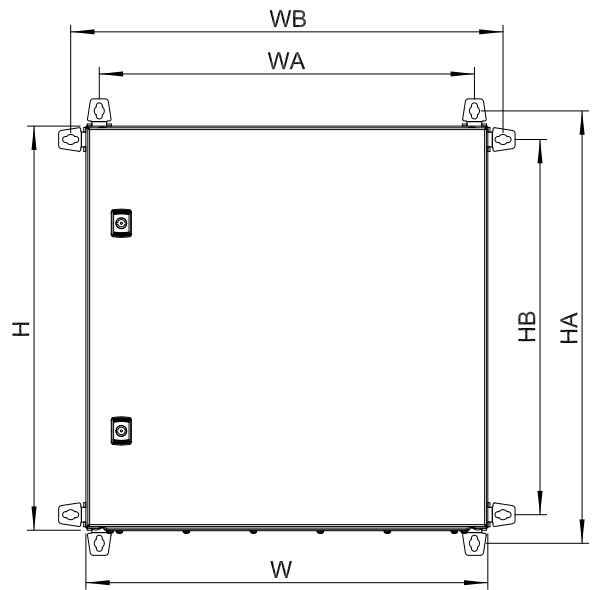
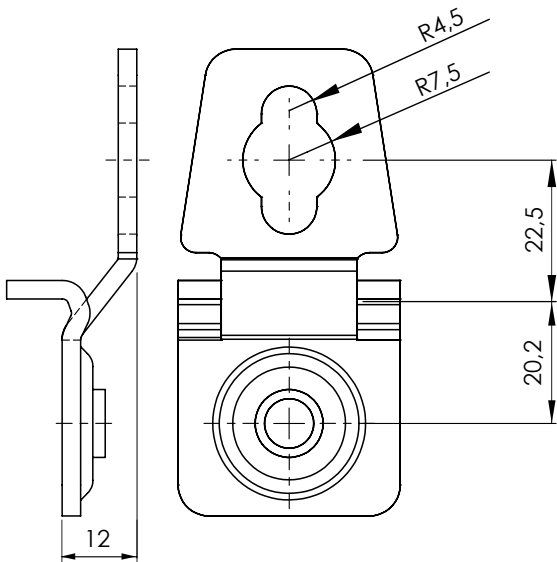
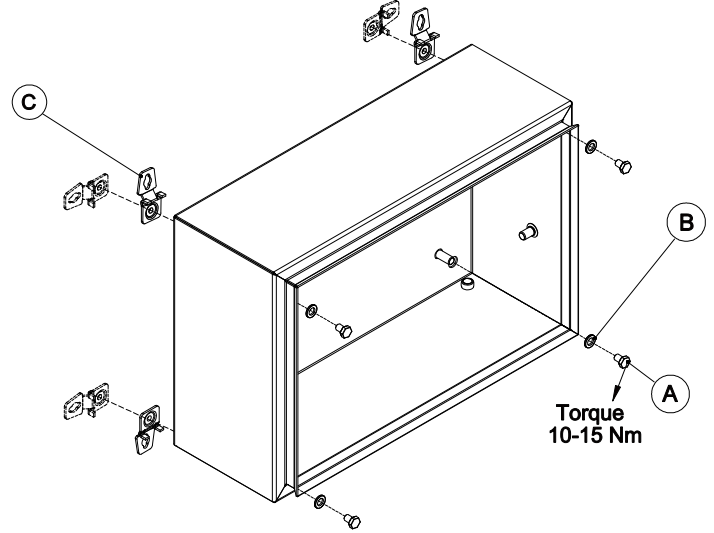
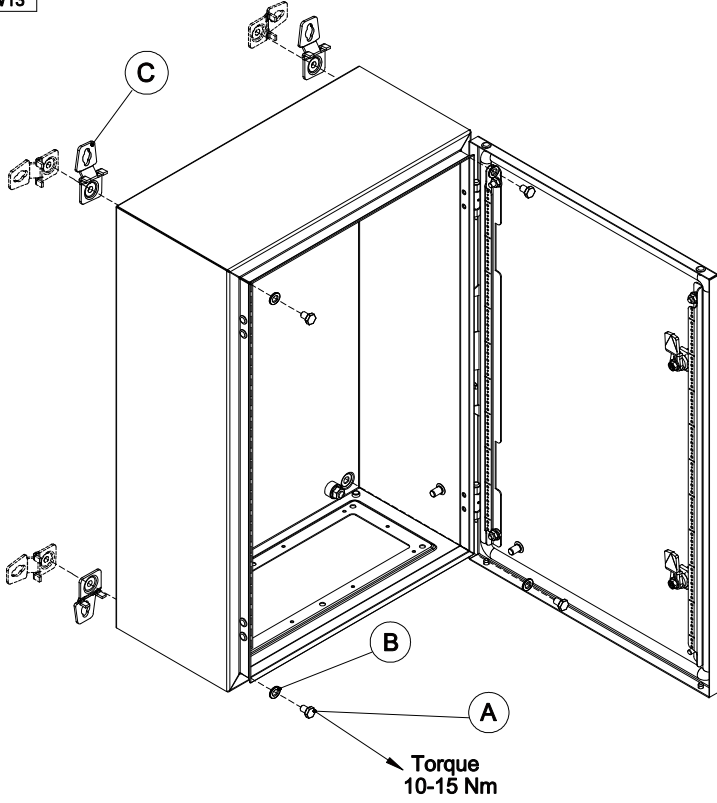


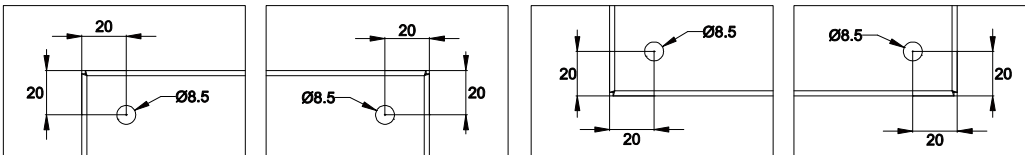
AW/AWS



Ref.	Pic.	Qty.
A	M8x12	4
B	M8 Nylon	4
C		4



HA	WA	HB	WB
H+45,5	W-40	H-40	W+45,5



Machining is required for stainless steel enclosures only.