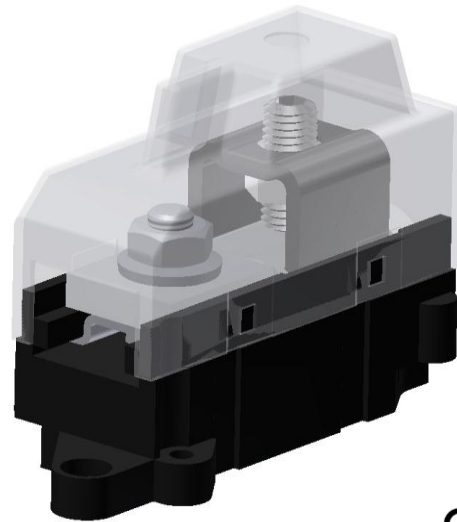


**Product data**

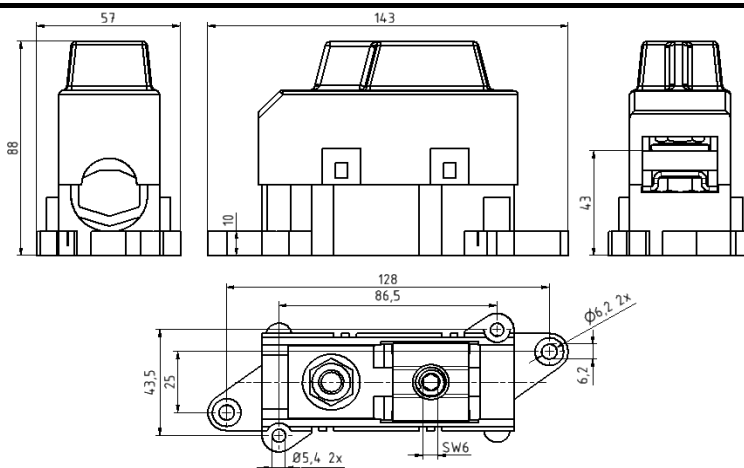
Product code	<b>VC03-0003</b>	STK-code	<b>1914142</b>	EAN-code	<b>6410019141429</b>
Product name	<b>OLE 185-300</b>				
Wires	<b>1xAl/Cu 185-300 mm<sup>2</sup></b>				

**Technical data**

Nominal current	Cu	<b>560</b>	A
	Al	<b>560</b>	A
Nominal voltage		<b>690</b>	V
Max. Current (US)	Cu	-	A
	Al	-	A
Max. Voltage (US)		-	V
Number of pole		<b>1</b>	
Max. Cross section		<b>300</b>	mm <sup>2</sup>
Tightening torque	185-300 mm <sup>2</sup>	<b>70</b>	Nm
Max. Operating temperature		<b>80</b>	°C
Weight		<b>260</b>	g
IP-protection		<b>IP20</b>	
Standards		-	
Color/ Material		<b>Connector Stainless steel/ Tin plated copper; Housing PP66/ PC</b>	
Mounting/ Connection		<b>Screw</b>	


**Description**

OLE-connectors are housing equipped OL-connectors. They are designed to be used connecting aluminium and copper conductors. Frames are made of stainless steel and busbars are tin-plated copper. OLE-connectors can be mounted side by side with screws to each other.

**Drawing**

**Package**

Package	<b>Box</b>	pcs/ package	<b>8</b>	Weight [Kg]	<b>3,64</b>
Length [mm]	<b>300</b>	Width [mm]	<b>205</b>	Height [mm]	<b>100</b>