

Product data

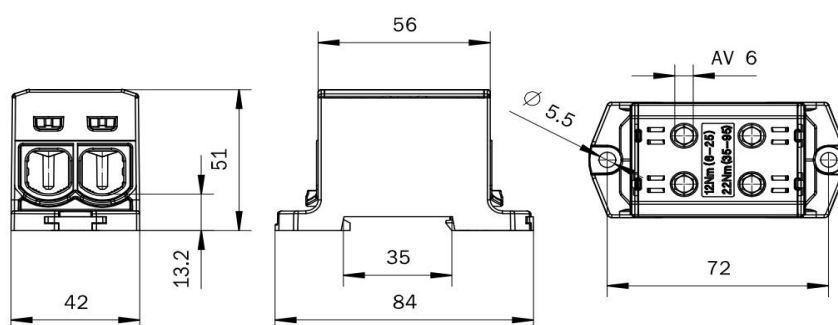
Product code	VC05-0044	STK-code	1914117	EAN-code	6410019141177
Product name	OTL-connector 2xAl/Cu 6-95mm ² (Yellow/Green)			ETIM class	EC000276
Wires	2xAl/Cu 6-95 mm ²				

Technical data

Nominal current (IEC)	Cu	245	A
	Al	220	A
Nominal voltage (IEC)	1000 V AC / 1500 V DC		
Max. Current (US)	Cu	230	A
	Al	180	A
Max. Voltage (US)	1000 V		
Number of poles	1		pcs
Max. Cross section	95		mm ²
Tightening torque	6-25 mm ² (3-10 AWG)	12	Nm
	35-95 mm ² (4/0-2 AWG)	22	Nm
	-		
Min. installation temperature	+5		°C
Operating temperature	-25...+80		°C
Weight	125		g
IP-protection	IP20		
Standards	EN 61238-1:2003; EN 60947-7-(1-2):2009; UL1059 & CSA C22.2 No. 158-10		
Color / Material	Green RAL 6018, Yellow RAL 1016/ PA66-VO		
Mounting / Connection	DIN-rail and screw (M5) mounting		


Description

OTL-connectors are designed for connecting and branching aluminium and copper conductors. The body is made of tin plated aluminium. Housing is made of UL94 V0 class polyamide. Made in Finland.

Drawing

Package

Package	Box	Pcs / Package	15	Weight [kg]	1,80
Length [mm]	210	Width [mm]	155	Height [mm]	105

Ouneva Oy

Teollisuustie 21
FI-82730 Tuupovaara
Finland

Tel. +358 400 179 750
info@ouneva.fi

www.ounevagroup.fi
www.ounevaproducts.fi