

Product data

Product code	VC05-0051	STK-code	1914114	EAN-code	6410019141146
Product name	OTL-connector 1xAl/Cu 6-95mm ² (Yellow/Green)			ETIM class	EC000897
Wires	1xAl/Cu 6-95mm ²				

Technical data

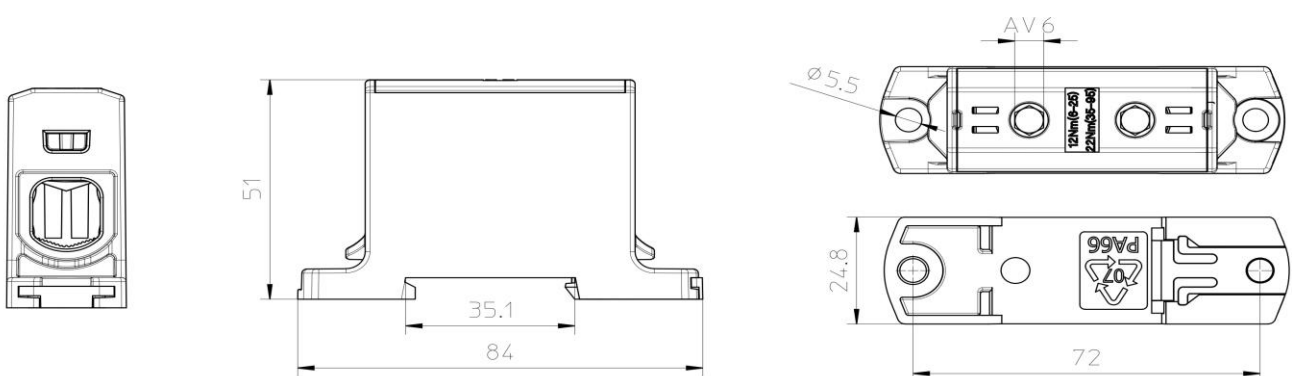
Nominal current (IEC)	Cu	245	A
	Al	220	A
Nominal voltage (IEC)		1000	V
Max. Current (US)	Cu	230	A
	Al	180	A
Max. Voltage (US)		600	V
Number of poles		1	pcs
Max. Cross section		95	mm ²
Tightening torque			
	6-25 mm ² (3-10 AWG)	12	Nm
	35-95 mm ² (4/0-2 AWG)	22	Nm
		-	
		-	
Max. Operating temperature		80	°C
Weight		65	g
IP-protection		IP20	



Standards	EN 61238-1; EN60947-7-1; UL1059
Color / Material	Green RAL 6018, Yellow RAL 1016/ PA66-V0
Mounting / Connection	DIN-rail and screw (M5) mounting

Description

OTL-connectors are designed for connecting and branching aluminium and copper conductors. The body is made of tin plated aluminium. Housing is made of UL94 V0 class polyamide.

Drawing

Package

Package	Box	Pcs / Package	10	Weight [kg]	0,75
Length [mm]	120	Width [mm]	130	Height [mm]	100

Ouneva Oy

Teollisuustie 21
FI-82730 Tuupovaara
Finland

Tel. +358 400 179 750
info@ouneva.fi

www.ounevagroup.fi
www.ounevaproducts.fi