

**Product data**

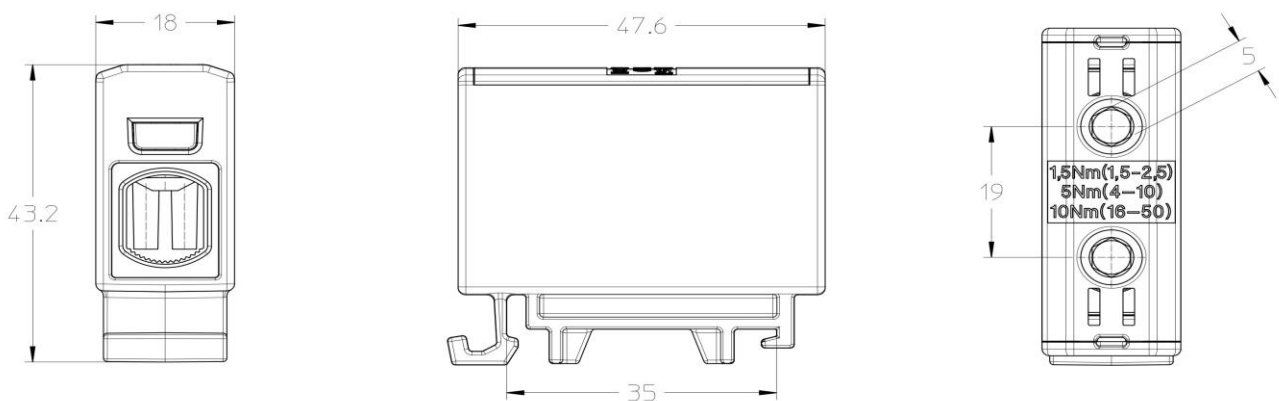
Product code	<b>VC05-0047</b>	STK-code	<b>1914105</b>	EAN-code	<b>6410019141054</b>
Product name	<b>OTL-connector 1xAl/Cu 1,5-50mm<sup>2</sup> (Yellow/Green)</b>			ETIM class	<b>EC000897</b>
Wires	<b>1xAl/Cu 1,5-50mm<sup>2</sup></b>				

**Technical data**

Nominal current (IEC)	Cu	<b>160</b>	A
	Al	<b>145</b>	A
Nominal voltage (IEC)		<b>1000</b>	V
Max. Current (US)	Cu	<b>150</b>	A
	Al	<b>120</b>	A
Max. Voltage (US)		<b>600</b>	V
Number of poles		<b>1</b>	pcs
Max. Cross section		<b>50</b>	mm <sup>2</sup>
Tightening torque			
	1,5-2,5 mm <sup>2</sup> (14-16 AWG)	<b>1,5</b>	Nm
	4-10 mm <sup>2</sup> (8-12 AWG)	<b>5</b>	Nm
	16-50 mm <sup>2</sup> (1/0-6 AWG)	<b>10</b>	Nm
		-	
Max. Operating temperature		<b>80</b>	°C
Weight		<b>30</b>	g
IP-protection		<b>IP20</b>	
Standards	<b>EN 61238-1; EN60947-7-1; UL1059</b>		
Color / Material	<b>Green RAL 6018, Yellow RAL 1016/ PA66-V0</b>		
Mounting / Connection	<b>DIN-rail mounting</b>		


**Description**

OTL-connectors are designed for connecting and branching aluminium and copper conductors. The body is made of tin plated aluminium. Housing is made of UL94 V0 class polyamide.

**Drawing**

**Package**

Package	<b>Box</b>	Pcs / Package	<b>30</b>	Weight [kg]	<b>1,00</b>
Length [mm]	<b>210</b>	Width [mm]	<b>155</b>	Height [mm]	<b>105</b>

**Ouneva Oy**

Teollisuustie 21  
 FI-82730 Tuupovaara  
 Finland

Tel. +358 400 179 750  
[info@ouneva.fi](mailto:info@ouneva.fi)

[www.ounevagroup.fi](http://www.ounevagroup.fi)  
[www.ounevaproducts.fi](http://www.ounevaproducts.fi)