

Product data

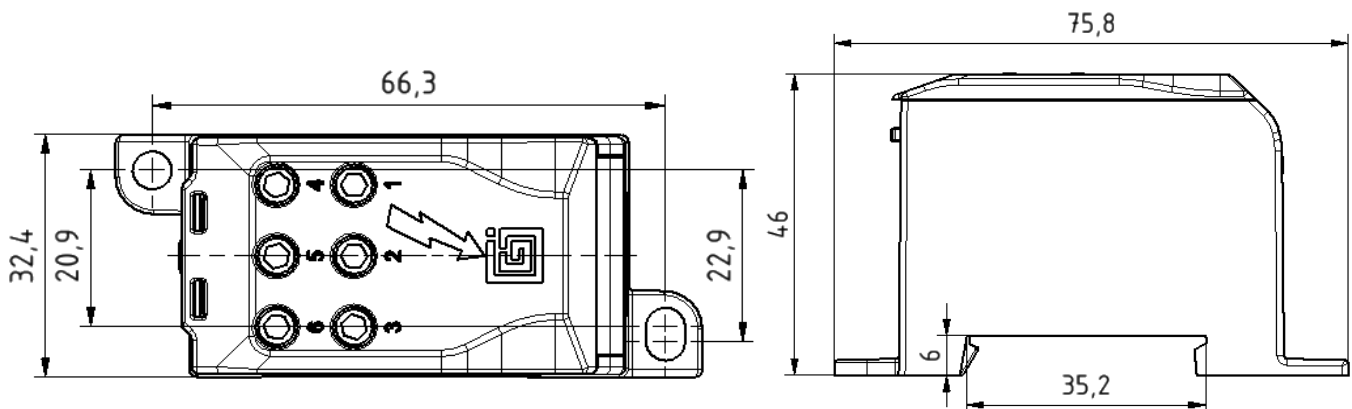
Product code	VG03-0006	STK-code	1912009	EAN-code	6410019120097
Product name	OJL-connector 200				
Wires	1xAl/Cu (10-70mm²)/ 6x(2,5-16mm²)				

Technical data

Nominal current	Cu	200	A
	Al	160	A
Nominal voltage		1000	V
Max. Current (US)	Cu	-	A
	Al	-	A
Max. Voltage (US)		-	V
Number of pole		1	pcs
Max. Cross section		70	mm ²
Tightening torque	50-70 mm ²	10	Nm
	25-35 mm ²	6	Nm
	2,5-16 mm ²	3	Nm
	-	-	Nm
Max. Operating temperature		80	°C
Weight		84	g
IP-protection		IP20	
Standards	EN 61238-1:2003; EN 60947-7-1:2009		
Color/ Material	Grey Cover, Grey Housing RAL 7035		
Mounting/ Connection	DIN-rail and screw mounting		


Description

The Single pole distribution block for branching connection. The single pole distribution block are compact and it will distribute the current through 6 output cables.

Drawing

Package

Package	Box	pcs/ package	24	Weight [Kg]	2,20
Length [mm]	210	Width [mm]	155	Height [mm]	105