

TREE 8TX metal GE - Unmanaged Gigabit Switch - 8 ports

8 port Gigabit unmanaged Switch

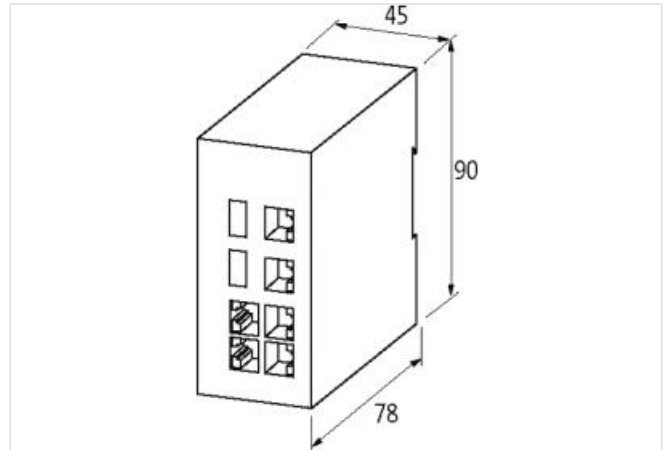
Connection cables are in the online shop under "Connection Technology".

[Link to Product](#)

Illustration



Product may differ from Image



Technical Data

Operating voltage	2x 9...48 V DC, redundancy
Transfer rate	10/100/1000 Mbit/s full duplex
Over voltage protection	yes
Current consumption	max. 450 mA
Operating modes	Autocrossing Autonegotiation
Invers-polarity protection	yes

General data

Mounting method	DIN-rail mountable TH35 (EN 60715)
Temperature range	-10...+70 °C (storage temperature -40...+85 °C)
Housing	Metal black
Protection	IP40
Dimensions HxWxD	90x45,2x78,7 mm

Connections

Fieldbus	8x RJ45
Supply	Screw plug-in terminal: 0.2...1.5 mm ²

Switch Management

Protocols	no
Port Mirroring	no
VLAN (QoS) IEEE 802.p	yes
Alarm contact	no
Remote maintenance	no
Websserver	no
Switch Form	Unmanaged Switch

Product article number of manufacturer 58173

Diagnostic

Communication status via LED

Monitoring - no voltage yes