

## A10 Bulkhead mounted h., IP65

Single locking lever m., p-cover

A10

Bulkhead mounted housing

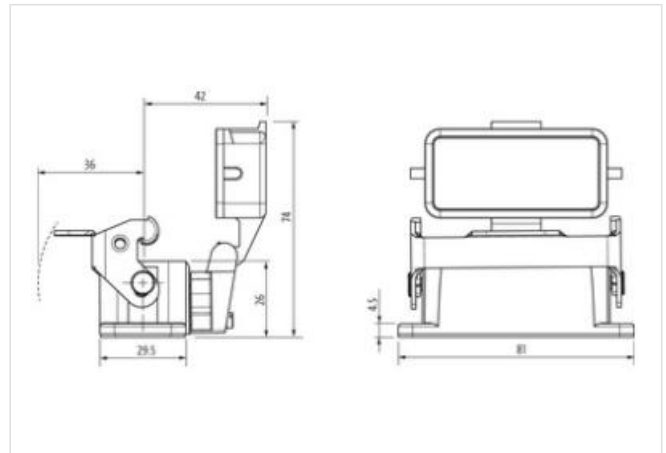
Single locking lever

IP65

Technical data will be only guaranteed with Murrelektronik components.

### Link to Product

#### Illustration



Product may differ from Image

#### Technical Data

Mating cycles	min. 500
Locking of ports	Single locking lever
Protection (protection cover)	IP65
Protection (housing)	IP65 inserted and tightened (EN 60529)

#### General data

Material (gasket)	NBR
Temperature range	-40...+100 °C
Material (housing)	Aluminum die-cast
Housing type	Bulkhead mounted housing
Size	A10
Protective cover	Plastic
Locking material	Steel (galvanized)
Climatic category	40/100/21 (EN 60068-1)
Material (housing surface)	powder-coated
Dimensions H×W×D	26×29.5×81 mm

Product article number of manufacturer 70MH-GABNL-B000010