

A3 Coupling h., IP65

Single locking lever m., top entry M20

A3
Coupling housing (low)
Single locking lever
IP65

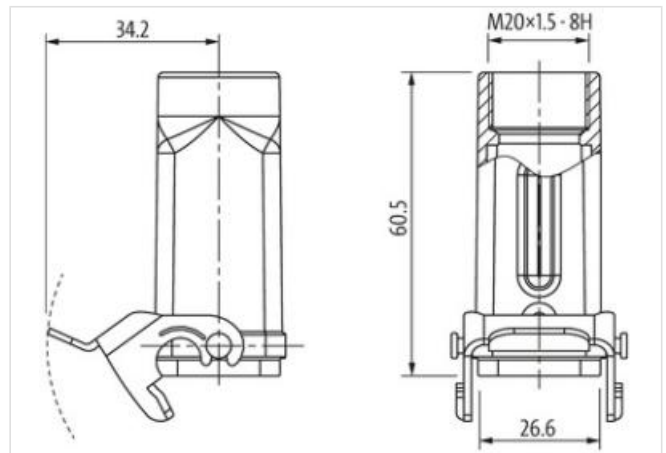
Technical data will be only guaranteed with Murrelektronik components.

[Link to Product](#)

Illustration



Product may differ from Image



Technical Data

Mating cycles	min. 500
Locking of ports	Single locking lever
Protection (housing)	IP65 inserted and tightened (EN 60529), with gland

General data

Temperature range	-40...+100 °C
Material (housing)	Zinc die casting
Housing type	Coupling housing
Threaded hole	M20
Size	A3
Cable outlet	straight
Locking material	Steel (galvanized)
Climatic category	40/100/21 (EN 60068-1)
Material (housing surface)	powder-coated
Dimensions HxWxD	60.5x26.6x26.6 mm

Product article number of manufacturer	70MH-GKANL-B01B000
--	--------------------