

**A3 Hood, IP67**

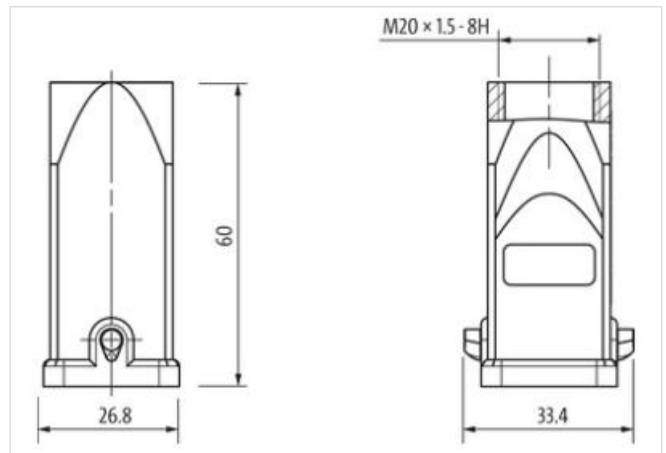
Single locking lever, top entry M20

A3  
Hood  
Single locking lever  
IP67

Technical data will be only guaranteed with Murrelektronik components.

**Link to Product****Illustration**

Product may differ from Image

**Technical Data**

Mating cycles	min. 500
Locking of ports	Single locking lever
Protection (housing)	IP67 inserted and tightened (EN 60529), with gland

**General data**

Temperature range	-40...+100 °C
Material (housing)	Zinc die casting
Housing type	Hood
Threaded hole	M20
Size	A3
Cable outlet	straight
Locking material	Steel (galvanized)
Climatic category	40/100/21 (EN 60068-1)
Material (housing surface)	powder-coated
Dimensions HxWxD	60x26.8x33.4 mm

Product article number of manufacturer	70MH-GTANL-A01B100
--	--------------------