

A3 Bulkhead mounted h., angled, IP65

Single locking lever m.

A3

Bulkhead mounted housing

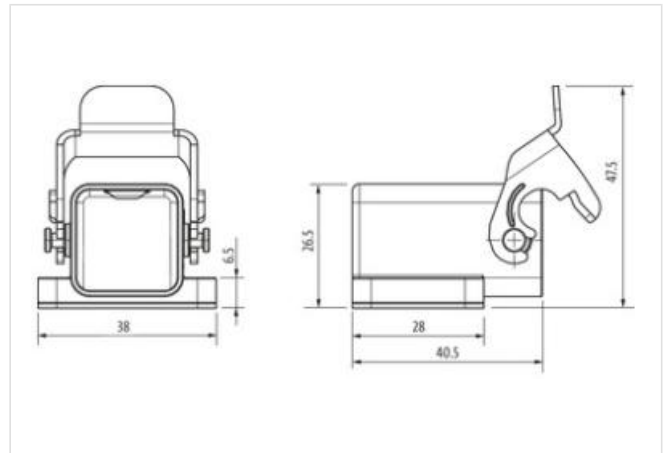
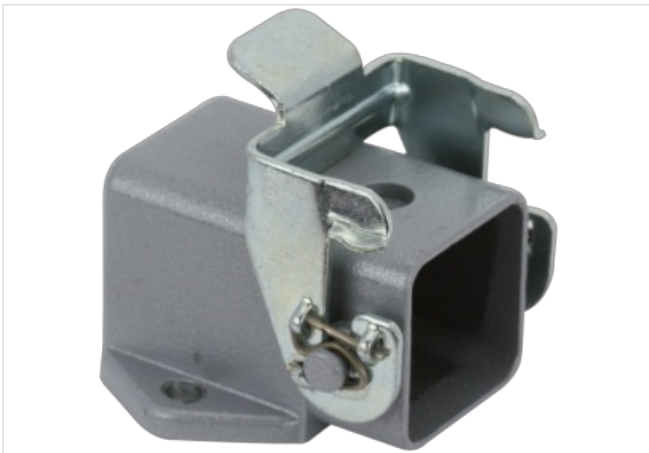
Single locking lever

IP65

Technical data will be only guaranteed with Murrelektronik components.

[Link to Product](#)

Illustration



Product may differ from Image

Technical Data

Mating cycles	min. 500
Locking of ports	Single locking lever
Protection (housing)	IP65 inserted and tightened (EN 60529)

General data

Material (gasket)	NBR
Temperature range	-40...+100 °C
Material (housing)	Zinc die casting
Housing type	Bulkhead mounted housing
Size	A3
Locking material	Steel (galvanized)
Climatic category	40/100/21 (EN 60068-1)
Material (housing surface)	powder-coated
Dimensions HxWxD	47.5x40.5x38 mm

Product article number of manufacturer 70MH-GAAAL-B000000