

M12 female 90° A-cod. IDC4-pol., 0.25 - 0.5mm², 4 - 5,1mm

Female 90°

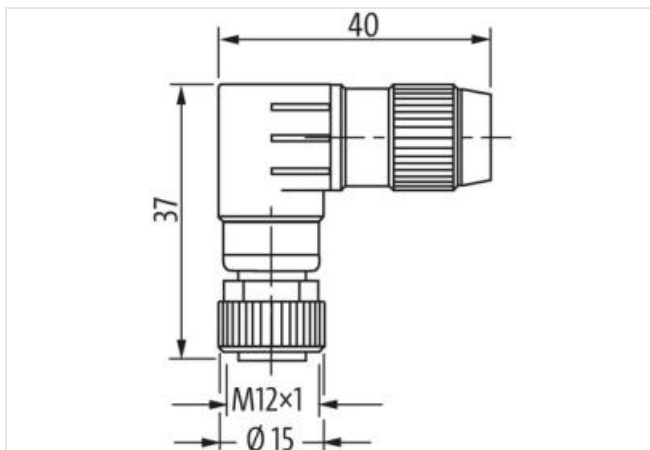
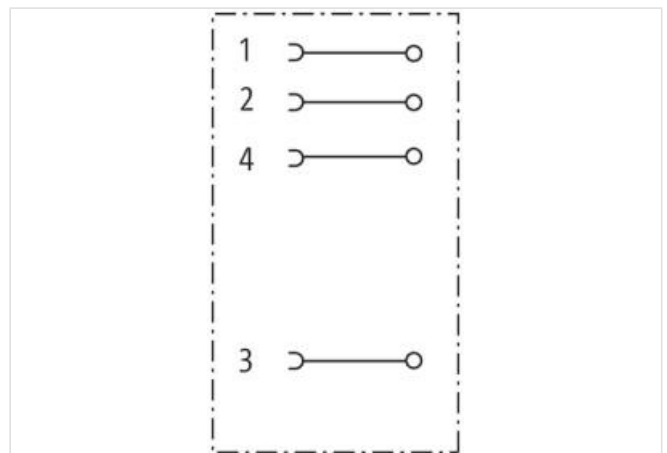
M12, 4-pole

IDC terminals

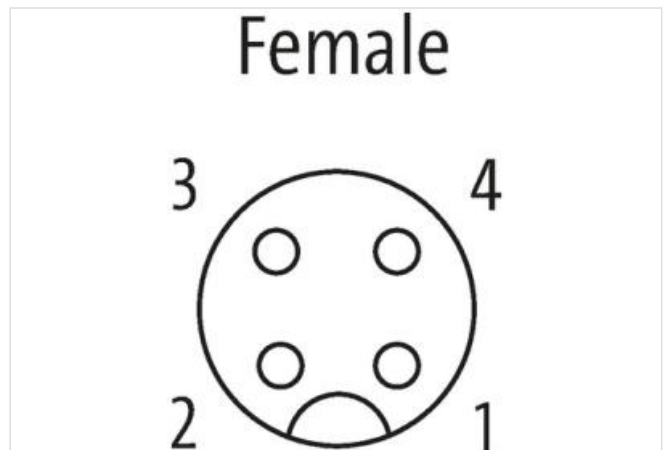
Connection cross section: 0.25...0.5 mm²

Art-No. 7005 - M12 Lite - (plastic hexagonal screw) on request

The resistance to aggressive media should be individually tested for your application. Further details on request.

[Link to Product](#)**Illustration**

Product may differ from Image

**Form**

Form 12681

Technical Data

Operating voltage	max. 32 V AC/DC
Operating current per contact	max. 4 A
Locking of ports	Screw thread (M12×1 mm) recommended torque 0.6 Nm, self-securing
Connection cross section	0.25...0.5 mm ² (conductor diameter min. 0.1 mm)
Sealing range (cable Ø)	4...5.1 mm
Protection	IP67 inserted and tightened (EN 60529)

Outer wire Ø 1.2...1.6 mm

General data

Temperature range -25...+85 °C

Dimensions H×W×D 37×40×15 mm

Product article number of manufacturer 7000-12681-0000000