

M12 female 0° A-cod. IDC4-pol., 0,14 - 0,34mm², 2,9 - 5,1mm

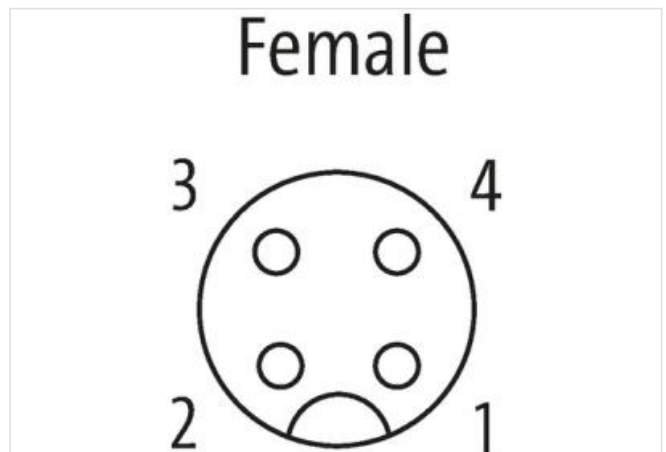
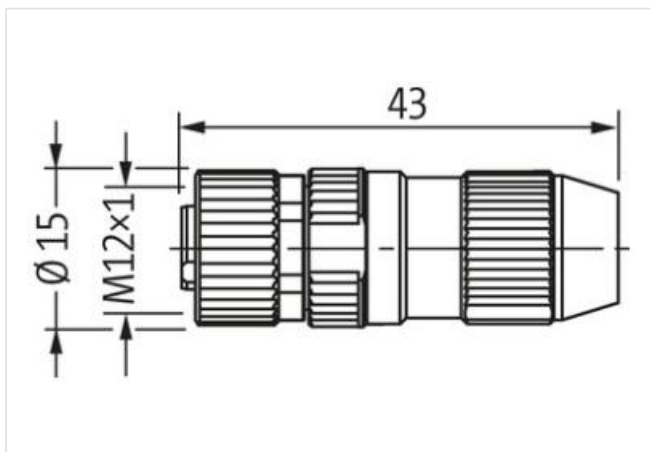
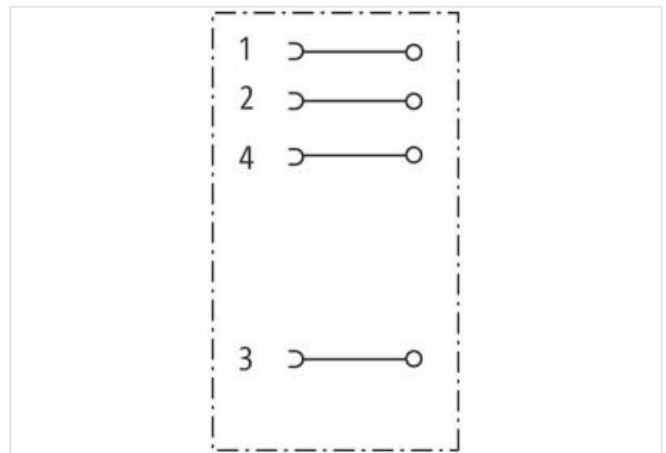
Female straight

M12, 4-pole

IDC terminals

Connection cross section: 0.14...0.34 mm²

The resistance to aggressive media should be individually tested for your application. Further details on request.

[Link to Product](#)**Illustration**

Product may differ from Image

Form

Form 12611

Technical Data

Operating voltage	max. 32 V AC/DC
Operating current per contact	max. 4 A
Locking of ports	Screw thread (M12x1 mm) recommended torque 0.6 Nm, self-securing
Connection cross section	0.14...0.34 mm ² (conductor diameter min. 0.1 mm)
Sealing range (cable Ø)	2.9...5.1 mm
Protection	IP67 inserted and tightened (EN 60529)
Outer wire Ø	1.0...1.6 mm

General data

Temperature range	-25...+85 °C
Dimensions H×W×D	43×15×15 mm
Product article number of manufacturer	7000-12611-0000000