

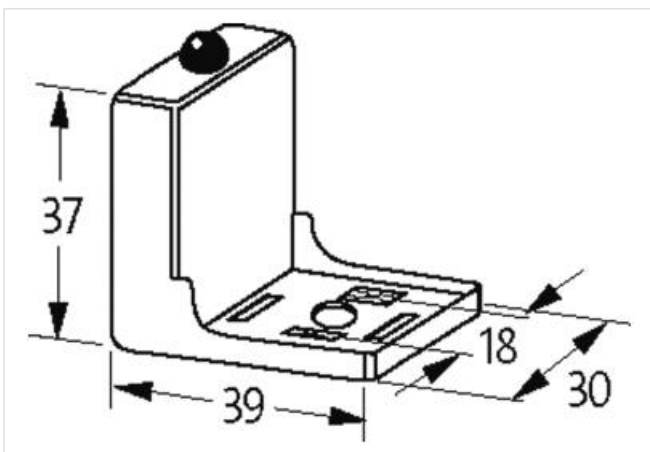
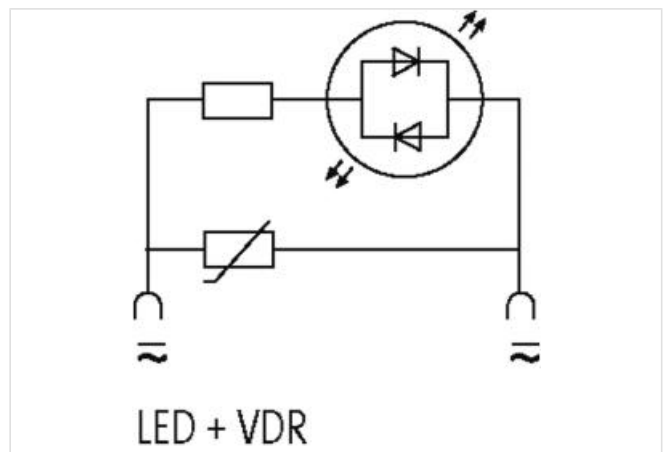
VALVE PLUG SUPPRESSOR FORM A - 18MM

Varistor and LED, 24VAC/DC/50VA/W

24 V AC/DC

VDR + LED

Remove plug gasket when fitting adapter. Other LED colors on request.

[Link to Product](#)**Illustration**

Product may differ from Image

**Technical Data**

Switch off peak	max. 45 V
LED display	(yellow opac)
Input voltage	12...25 V AC/DC
max. power (W)	max. 50 W (VA)
Switch off delay time	min. 15 ms

General data

Material (contact)	Silvered bronze
Temperature range	-20...+60 °C
Housing	Polyamide black, flame retardant, temperature resistance up to 130 °C
Dimensions H×W×D	37×39×30 mm
Product article number of manufacturer	3124048